

THIS DRAWING IS UNPUBLISHED.

RELEASED FOR PUBLICATION

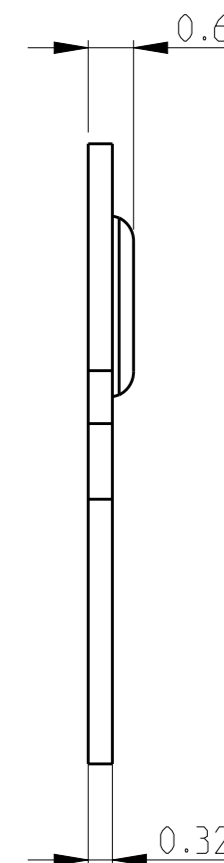
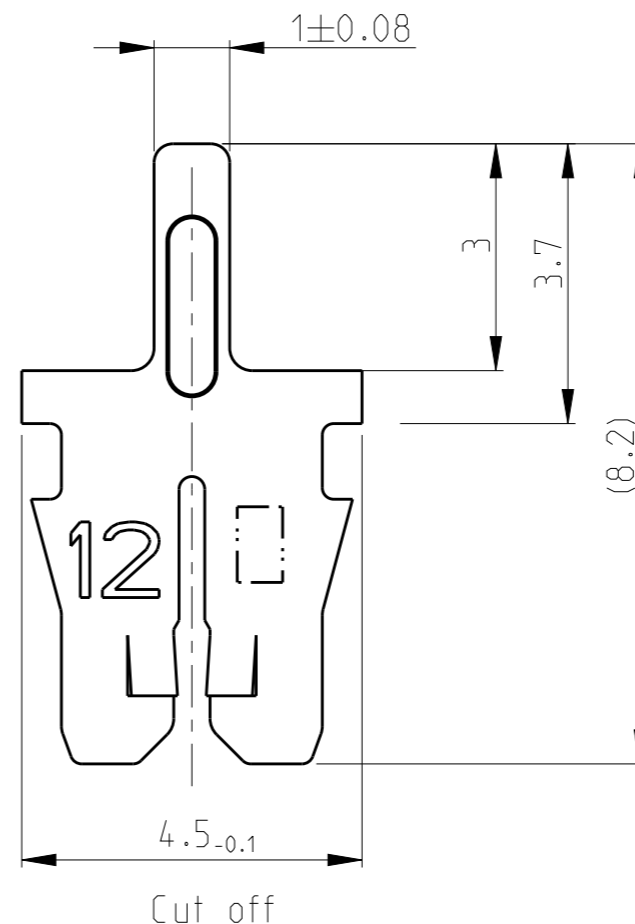
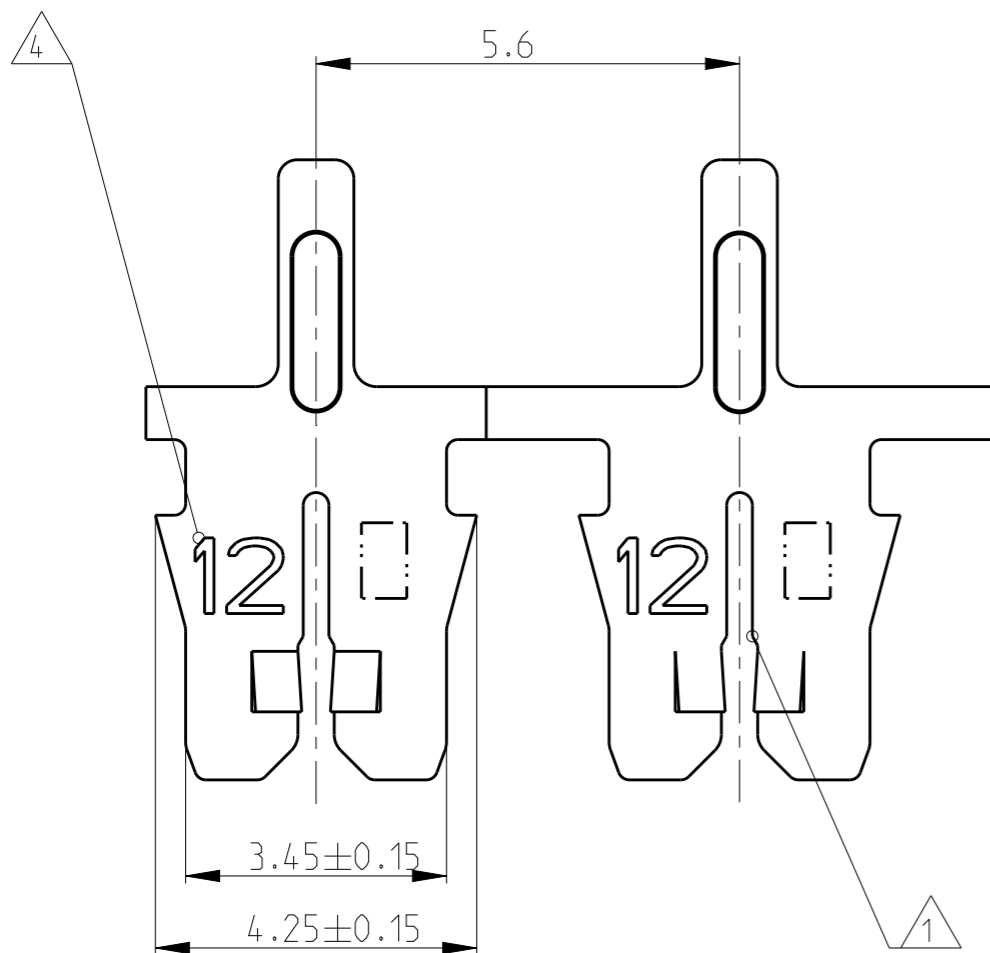
© COPYRIGHT 2002


ALL RIGHTS RESERVED.

LOC IR DIST -

REVISIONS

P	LTR	DESCRIPTION	DATE	DWN	APVD
	A1	Text hinzu	29JUL2003	Ba.	PL.
	A2	RELEASED TO GENERAL SALES	18JUL2011	PKS	RRP
	A3	COPPER WIRE RANGE UPDATED	08MAR2018	SV	PKS



THIS DRAWING IS A CONTROLLED DOCUMENT.		DWN M. Neitzel 08JAN2002	 TE Connectivity		
DIMENSIONS: mm		CHK H. Ploesser			
TOLERANCES UNLESS OTHERWISE SPECIFIED:		APVD -	NAME		
0 PLC ±0.2 1 PLC ±0.2 2 PLC ±0.2 3 PLC ±0.2 4 PLC ±0.2 ANGLES ±1°		PRODUCT SPEC -	MAG-MATE Kontakt mit Loetpin Baugroesse .300 mod.		
MATERIAL SEE TABLE		APPLICATION SPEC -	SIZE A3	CAGE CODE 00779	DRAWING NO C-1534686
FINISH SEE TABLE		WEIGHT -	RESTRICTED TO		
CUSTOMER DRAWING			SCALE 10:1	SHEET 1 OF 2	REV A3

4

3

2

1

THIS DRAWING IS UNPUBLISHED.

RELEASED FOR PUBLICATION

© COPYRIGHT 2002

ALL RIGHTS RESERVED.

LOC	DIST	REVISIONS			
P	LTR	DESCRIPTION	DATE	DWN	APVD
	-	SEE SHEET 1	-	-	-

DIRECTION OFF TOP OF REEL

Bemerkungen:  
NOTES:

1 Geeignet fuer Kupferlackdraht  
Einzel-  $\varnothing 0.45 \dots 0.63 \text{mm}$  oder Doppeldraht  $\varnothing 0.45 \dots 0.56 \text{mm}$   
SLOT ACCEPTS:  
COPPER SINGLE MAGNET WIRE  $\varnothing 0.45 \dots 0.63 \text{mm}$  DIA  
OR COPPER DOUBLE MAGNET WIRE  $\varnothing 0.45 \dots 0.56 \text{mm}$  DIA

2 Anlieferungszustand: Kontakte fortlaufend mit  
Papierzwiseilage auf Kunststoffspule aufgewickelt  
Max. 5 Splice Stellen pro Spule  
Splice Stellen nicht miteinander verbunden  
DELIVERY STATE: CONTACTS CONTINUOUS REELED WITH  
PAPER INTERLAYER ON PLASTIC-REEL.  
MAX. 5 SPLICES PER REEL  
SPLICES BE NOT BONDED TOGETHER.

3 Kontaktkammer nach Zeichnung } 411-18516  
CAVITY ACCORDING DWG.

4 Kennziffer fuer Drahtgroessenbereich (12)  
IDENTIFICATION NO. FOR MAGNET WIRE RANGE (12)

5 Materialdicke }  $0.32 \pm 0.02$   
STOCK THICKNESS

	10	A	CuNiSi	Ag OVER Ni	1-1534686-8
	10	A	CuNiSi	Au OVER Ni	1-1534686-7
	10	A	CuNiSi	BLANK	1-1534686-2
	10	A	CuSn	PRETINNED	1-1534686-1
OBSOLETE	9	B	CuNiSi	Ag OVER Ni	<del>1534686-8</del>
	9	B	CuNiSi	Au OVER Ni	1534686-7
	9	B	CuNiSi	BLANK	1534686-2
	9	B	CuSn	PRETINNED	1534686-1
REELING	REV.	5	MATERIAL	SURFACE COLOR	TE PART NO

THIS DRAWING IS A CONTROLLED DOCUMENT.		DWN	08JAN2002		
		CHK	M. Neitzel		
		APVD	H. Ploesser		
		PRODUCT SPEC			
DIMENSIONS: mm		TOLERANCES UNLESS OTHERWISE SPECIFIED:		NAME	
		0 PLC	$\pm 0.2$	MAG-MATE Kontakt mit Loetpin Baugroesse .300 mod.	
		1 PLC	$\pm 0.2$	SIZE	CAGE CODE
		2 PLC	$\pm 0.2$	A3	00779
		3 PLC	$\pm 0.2$	DRAWING NO	
		4 PLC	$\pm 0.2$	C=1534686	
		4 PLC ANGLES	$\pm 1^\circ$	RESTRICTED TO	
MATERIAL SEE TABLE		FINISH SEE TABLE		SCALE 10:1 SHEET 2 OF 2 REV A3	
CUSTOMER DRAWING					

1470-19 (3/11)

Downloaded From [Onevac.com](http://Onevac.com)

单击下面可查看定价，库存，交付和生命周期等信息

[>>TE Connectivity\(泰科\)](#)