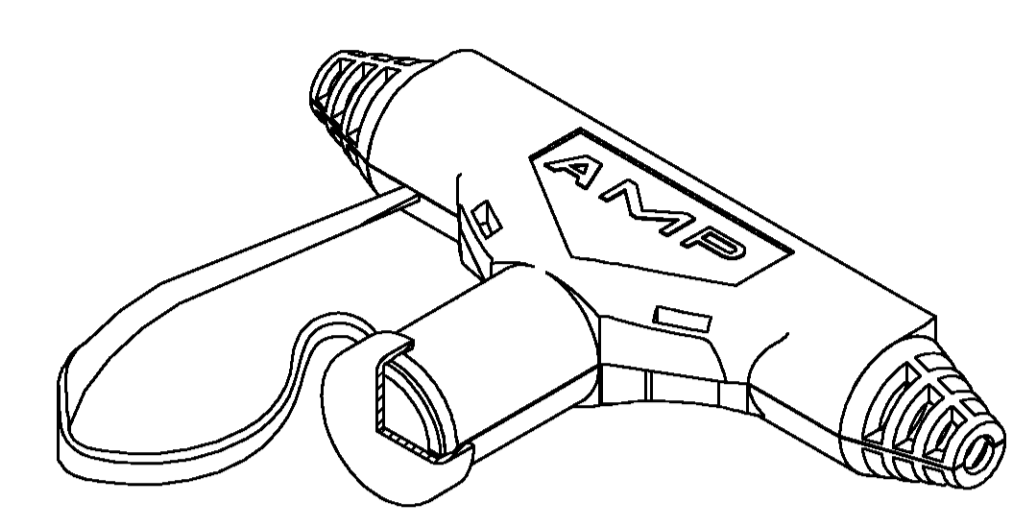
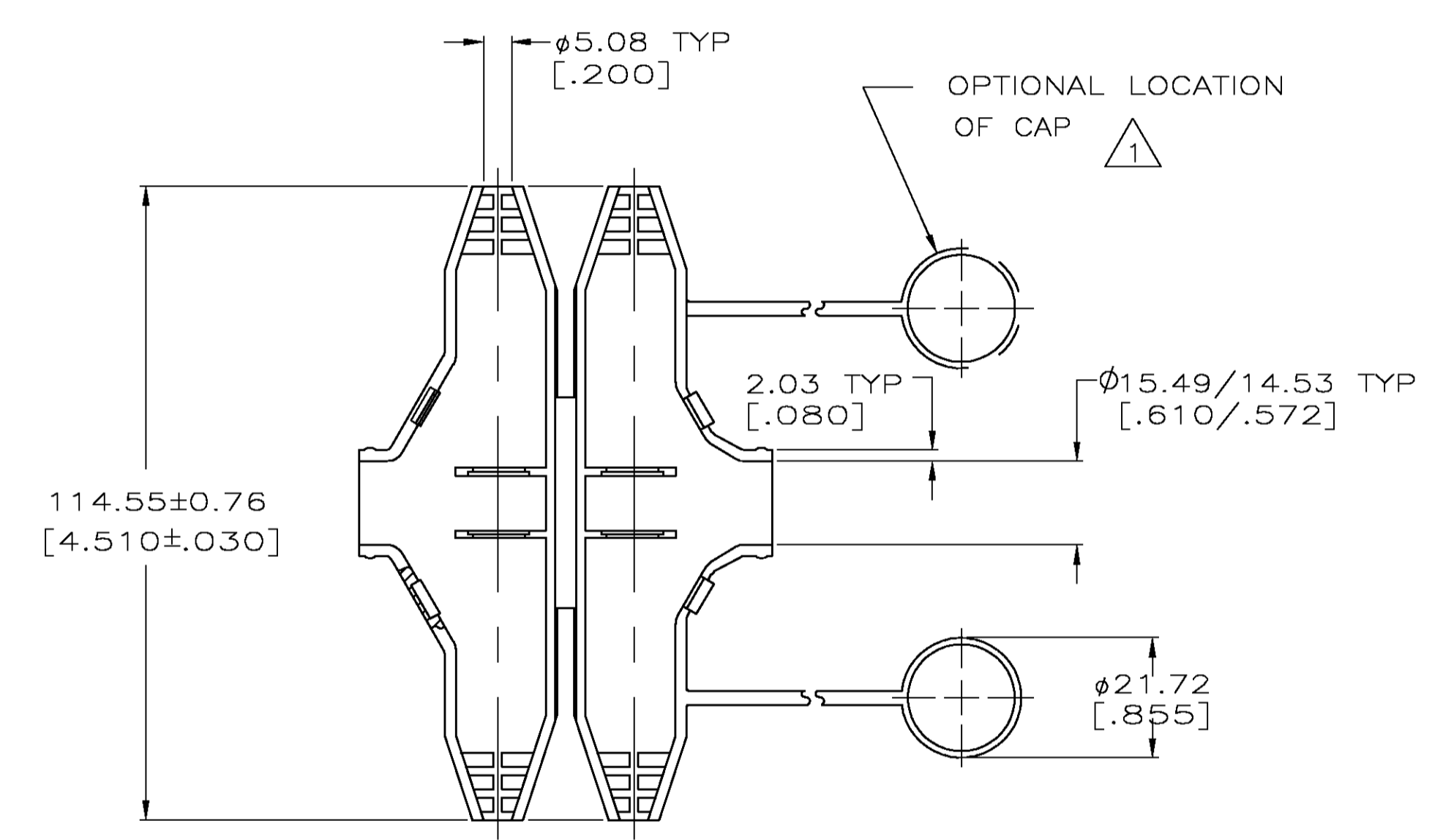


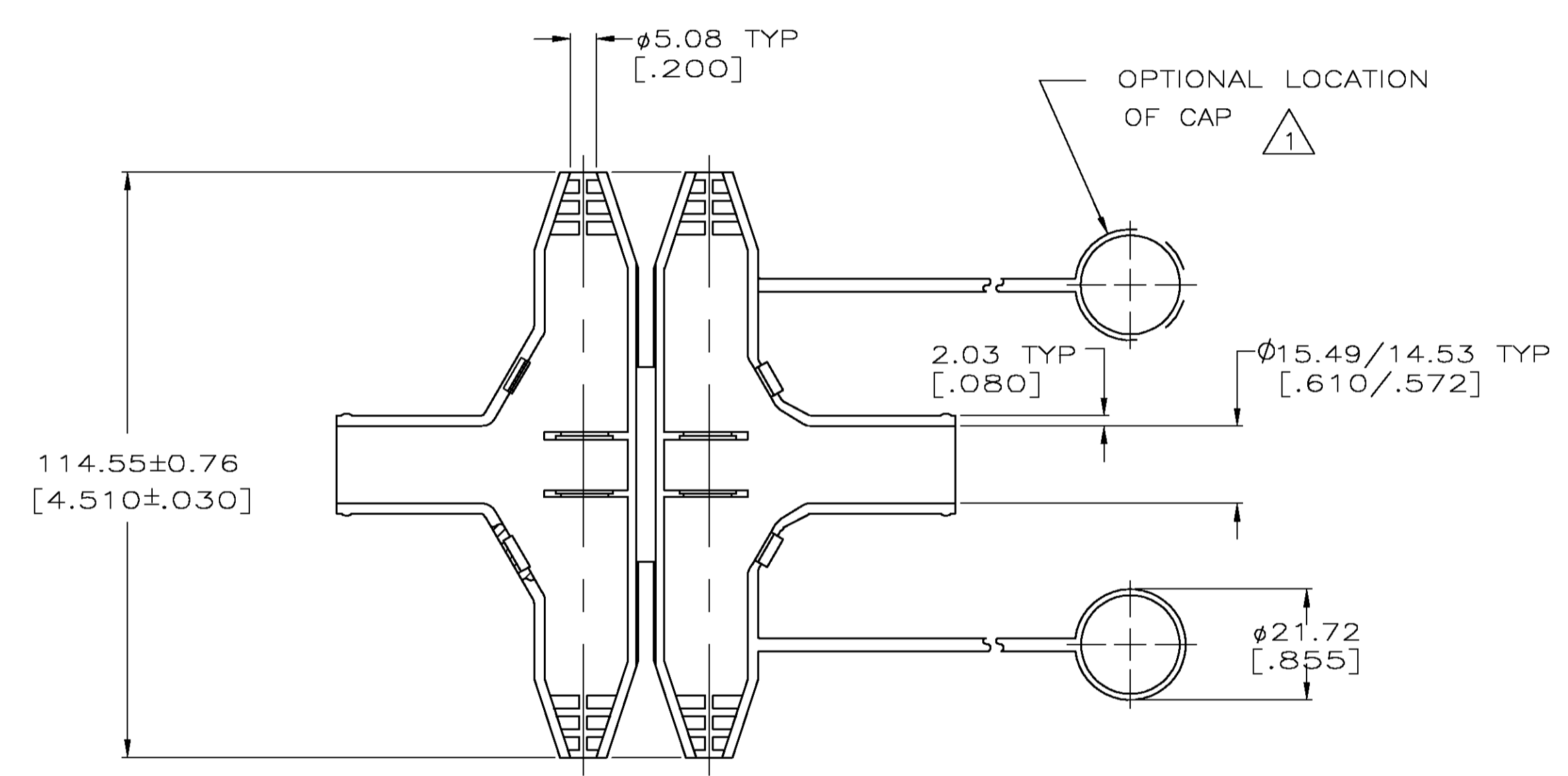
PICTORIAL VIEW
NOT TO SCALE



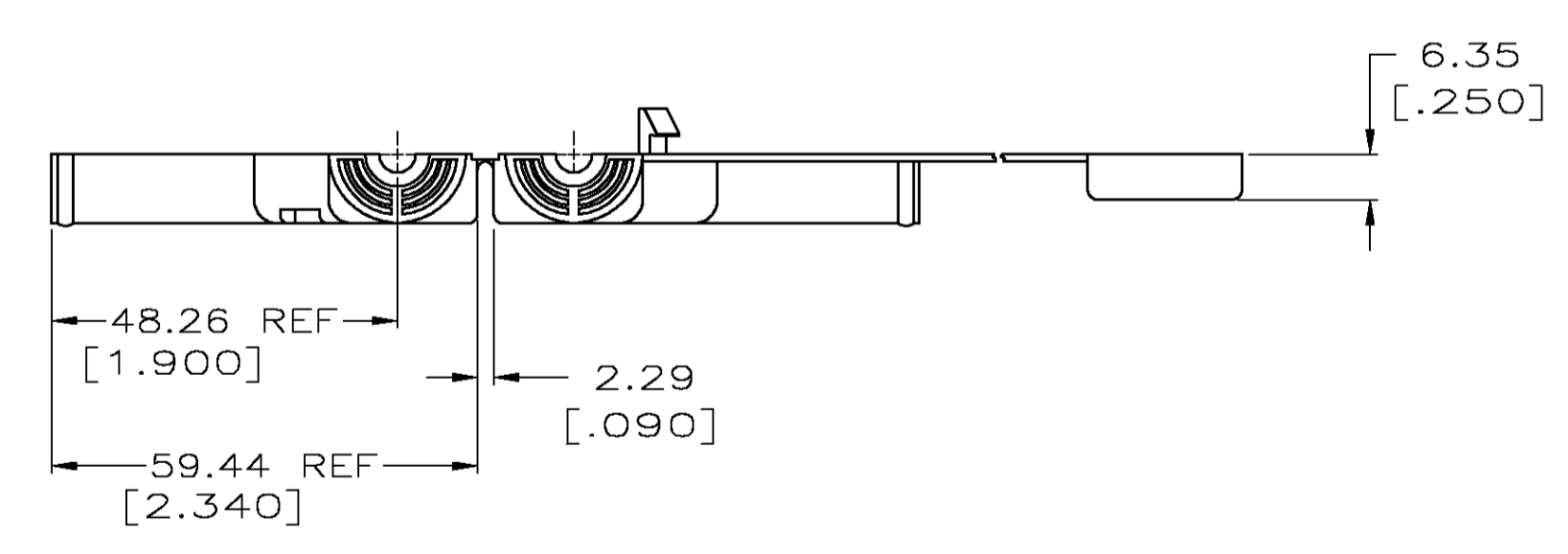
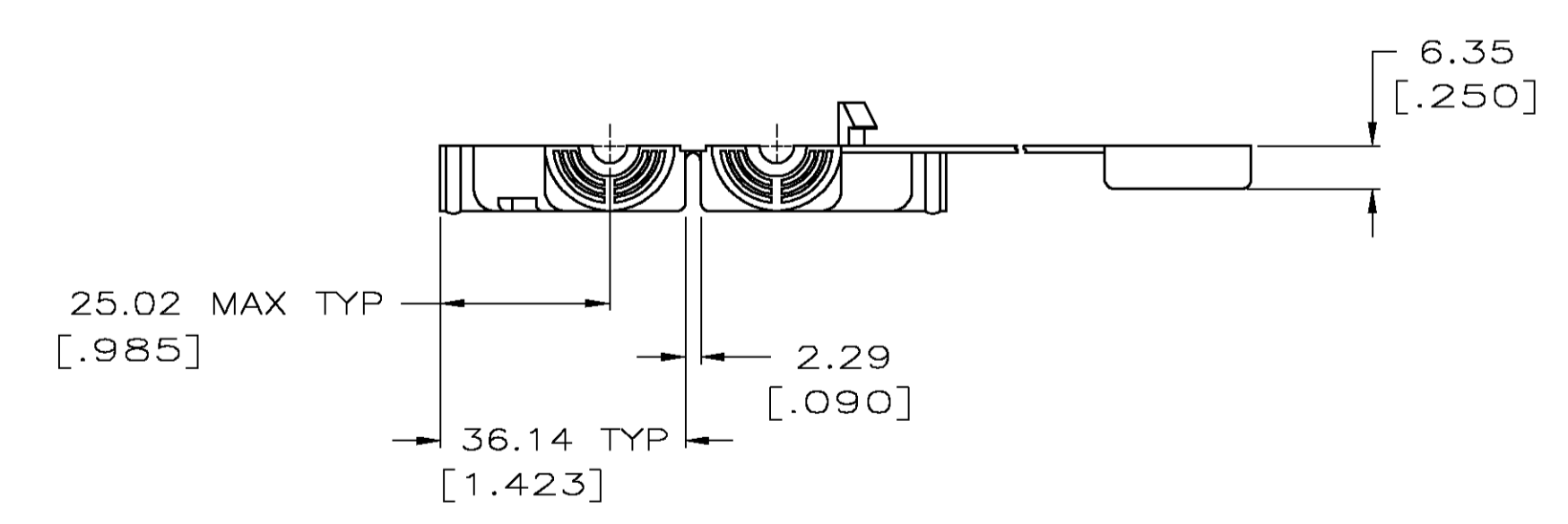
PICTORIAL VIEW
NOT TO SCALE



VIEW A



VIEW B



- 1 AMP RESERVES THE RIGHT TO FURNISH THIS PRODUCT WITH THE CAP IN EITHER LOCATION
- 2 SAME AS 221586-1 EXCEPT PACKAGED 5 PER BOX
- 3 SAME AS 221586-2 EXCEPT PACKAGED 5 PER BOX

3	OBsolete	B	BLACK	221586-8
	2	A	BLACK	221586-7
OBsolete		A	IVORY	221586-3
	B	BLACK	221586-2	
	A	BLACK	221586-1	
	VIEW	COLOR	PART NUMBER	

THIS DRAWING IS A CONTROLLED DOCUMENT.

DIMENSIONS: mm[INCHES]	TOLERANCES UNLESS OTHERWISE SPECIFIED:	DIN 8-3-94	J.L. GROFT	8-4-94	8-4-94	R.J. KOBLER	APVD	NAME	COVER, TEE, COMMERCIAL BNC
0 PLC ± -	1 PLC ± -	2 PLC ± 0.38 [.015]	3 PLC ± -	4 PLC ± -	ANGLES ± -	MATERIAL POLYPROPYLENE	FINISH -	SIZE A1	CAGE CODE 00779
CUSTOMER DRAWING		SCALE 1:1	SHEET 1 OF 1	REV E	Tyco Electronics Corporation Harrisburg, Pa 17105-3608				

单击下面可查看定价，库存，交付和生命周期等信息

[>>TE Connectivity\(泰科\)](#)