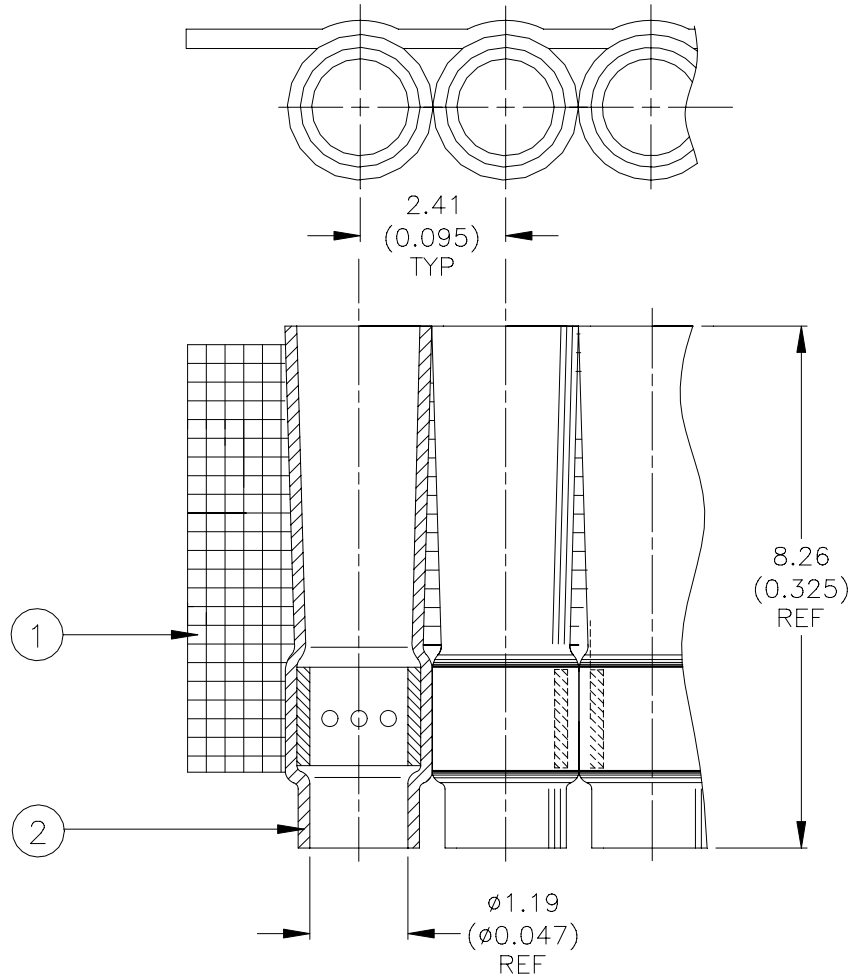


SPECIFICATION CONTROL DRAWING



MATERIALS

1. SOLDERSLLEEVE: D-136-07, Quantity Per Assembly: 1000
2. CARRIER STRIP: Adhesive Coated High Temperature Tape

APPLICATION

1. This assembly is for used on Continental MM22 or Winchester SRE connectors.
2. Sleeves are to be installed using Raychem-approved convection or infrared heating tools.
3. The carrier strip is to be removed before heating.

tyco / Electronics / Raychem <small>307 Constitution Drive Menlo Park, CA 94025, USA</small>		Wire and Harnessing Products	TITLE : SOLDERPAK ASSEMBLY, Continental MM22 and Winchester SRE Connectors; 22/26 AWG High Temperature Wire				
UNLESS OTHERWISE SPECIFIED DIMENSIONS ARE IN MILLIMETERS. INCHES DIMENSIONS ARE BETWEEN BRACKETS.			DOCUMENT NO.: D-701-00				
TOLERANCES: 0.00 N/A 0.0 N/A 0 N/A	ANGLES: N/A ROUGHNESS IN MICRON	Raychem reserves the right to amend this drawing at any time. Users should evaluate the suitability of the product for their application.	DCR NUMBER: D010046	REPLACES: N/A			
DRAWN BY: M. FORONDA	DATE: 26-Jan.-01	PROD. REV. D	DOC ISSUE: 1	SCALE: None	SIZE: A	SHEET: 1 of 1	

If this document is printed it becomes uncontrolled. Check for the latest revision.

单击下面可查看定价，库存，交付和生命周期等信息

[>>TE Connectivity\(泰科\)](#)