

4

3

2

1

THIS DRAWING IS UNPUBLISHED.

RELEASED FOR PUBLICATION

AUG ,2006.

© COPYRIGHT 2009 BY TYCO ELECTRONICS CORPORATION. ALL RIGHTS RESERVED.

LOC

DIST

REVISIONS

DW

P

LTR

DESCRIPTION

DATE

DWN

APVD

C1

ECR-19-000085

02SEP2019

T.Q

WH

SECTION A-A

SECTION B-B

NOTE:

1. MATERIAL:
PHOSPHOR BRONZE.
2. FINISH:
80~110 μ " BRIGHT TIN PLATING OVER ALL;
15~40 μ " NICKEL UNDER PLATING
3. NO TE LOGO AND DATE CODE ON THE PRODUCT.
4. APPLICABLE WIRE RANGE: AWG #28 THRU #32
5. PART NUMBER OF RECEPTACLE HOUSING: X-1470364-X & X-2041214-X.
6. PART NUMBER OF MATING PLUG:
LOW HALOGEN TYPE: X-2041190-X, X-2041191-X, X-2041202-X
HALOGEN TYPE: X-1734709-X, X-1734595-X.

1734597-1

PART NUMBER

THIS DRAWING IS A CONTROLLED DOCUMENT.

DWN
A. WU 26JUL2007CHK
S. HOU 26JUL2007APVD
W.J. KE 26JUL2007

PRODUCT SPEC

APPLICATION SPEC

108-57264

WEIGHT

SEE TABLE

CUSTOMER DRAWING

Tyco Electronics Corporation
Taipei, Taiwan

NAME

1.0 MM PITCH WIRE TO BOARD CONNECTOR,
RECEPTACLE, SMT, TERMINAL

SIZE

A3

CAGE CODE

00779

DRAWING NO

C=1734597

RESTRICTED TO

-

SCALE

-

SHEET

1 OF 2

REV

C1

AMP 1470-19 REV 31MAR2000

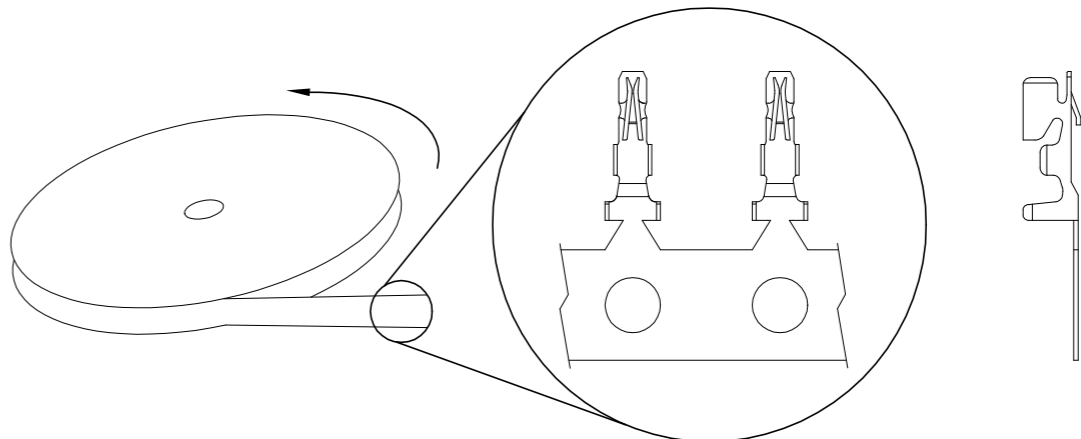
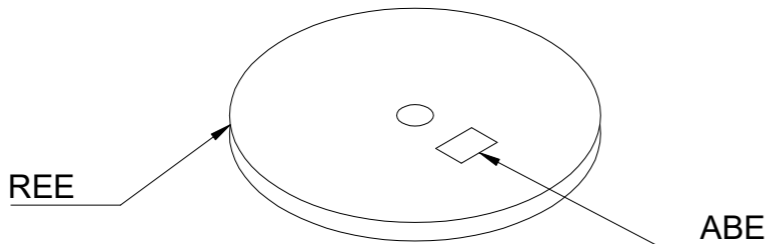
Downloaded From Onevac.com

THIS DRAWING IS UNPUBLISHED. RELEASED FOR PUBLICATION AUG ,2006.
 © COPYRIGHT 2009 BY TYCO ELECTRONICS CORPORATION. ALL RIGHTS RESERVED.

LOC	DIST	REVISIONS			
P	LTR	DESCRIPTION	DATE	DWN	APVD
DW		SEE SHEET 1.			

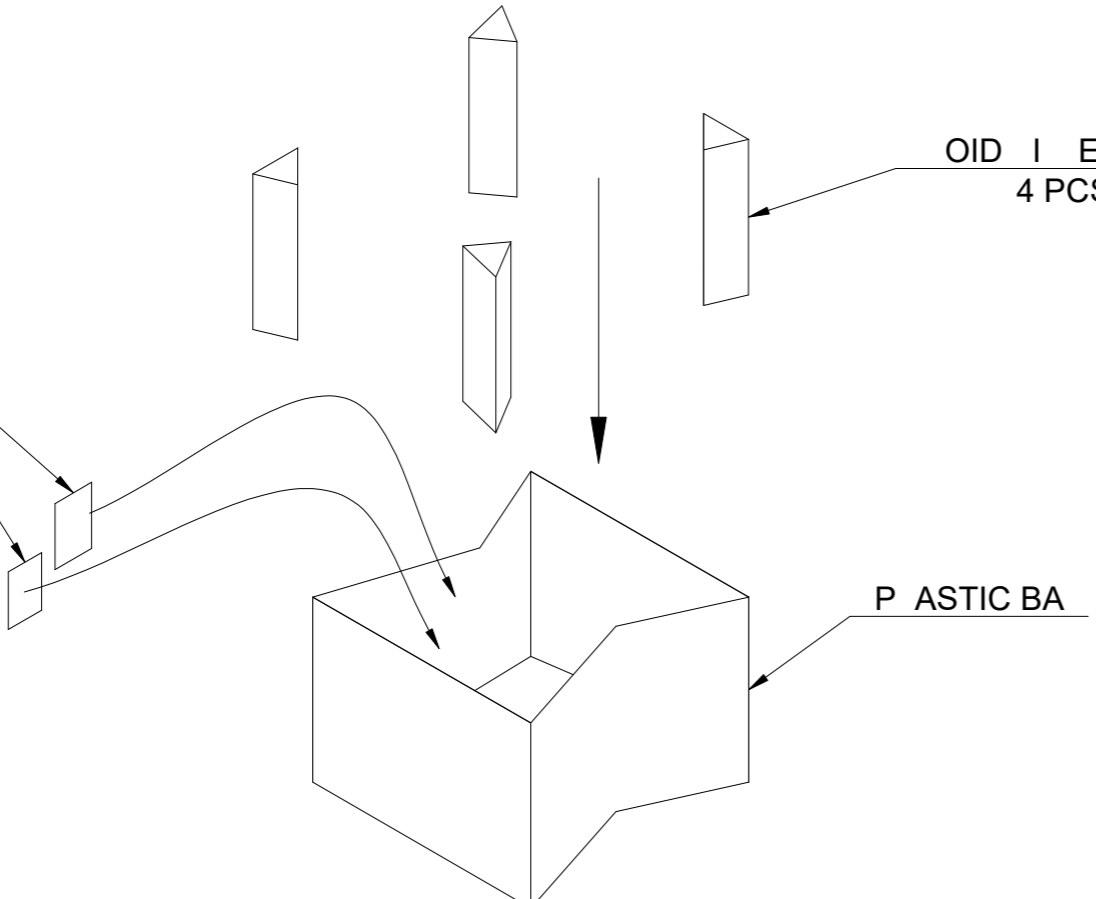
D

D

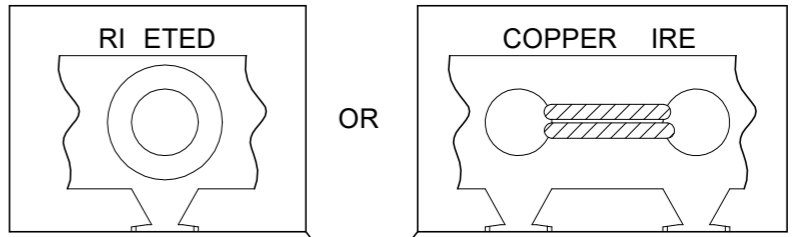


OID I ER
4 PCS

DESICCANT

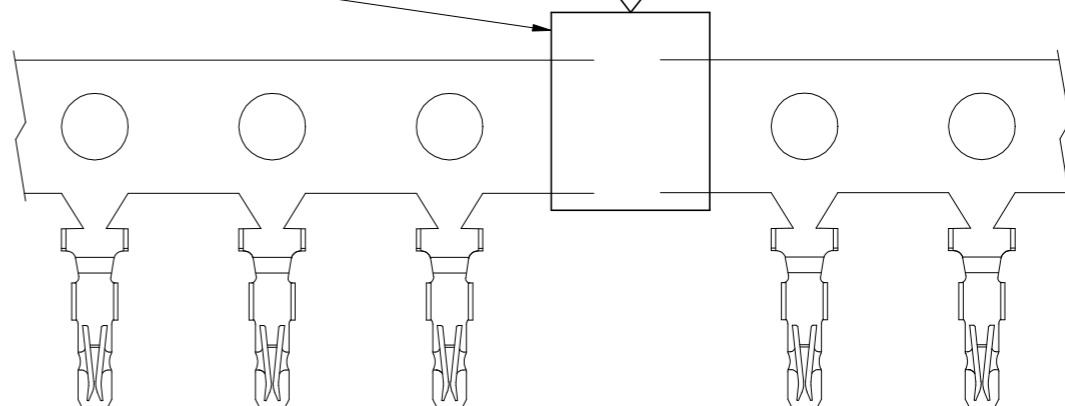


CONNECTIN MET OD CON I URATION



OR

2 CONNECT POINTS MA . PER REE



C

C

B

B

A

A

472 472 175	7	15000	105000 PCS
CARTON DIMENSIONS	REE S CARTON	PCS REE	UANTIT

THIS DRAWING IS A CONTROLLED DOCUMENT.		DWN	Tyco Electronics Corporation Taipi, Taiwan	
DIMENSIONS: MM		CHK	NAME	
TOLERANCES UNLESS OTHERWISE SPECIFIED:		APVD	1.0 MM PITCH WIRE TO BOARD CONNECTOR, RECEPTACLE, SMT, TERMINAL	
0 PLC ± -		PRODUCT SPEC	SIZE	RESTRICTED TO
1 PLC ± -		APPLICATION SPEC	CAGE CODE	DRAWING NO
2 PLC ± -		WEIGHT	A3	
3 PLC ± -		SEE TABLE	00779	C=1734597
4 PLC ± -		CUSTOMER DRAWING	SCALE	SHEET
ANGLES ± -			-	2 OF 2
MATERIAL	FINISH			REV C1
SEE NOTE	SEE NOTE			

单击下面可查看定价，库存，交付和生命周期等信息

[>>TE Connectivity\(泰科\)](#)