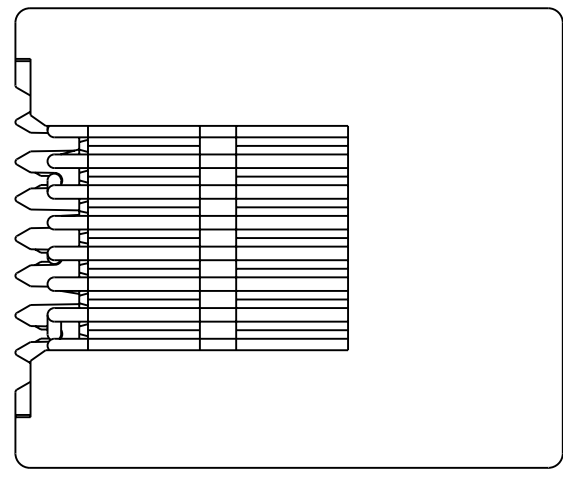
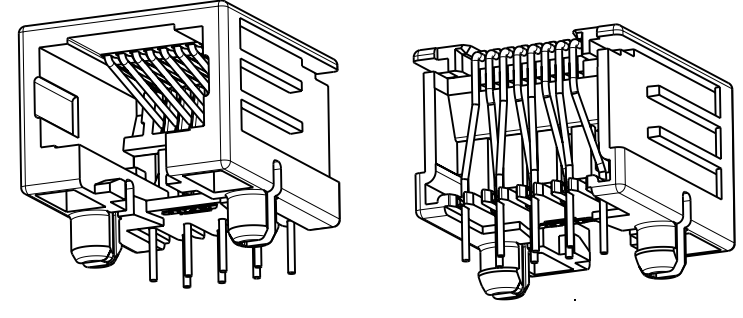


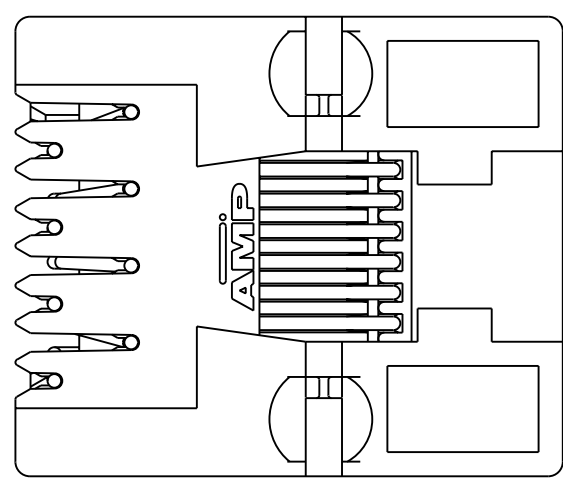
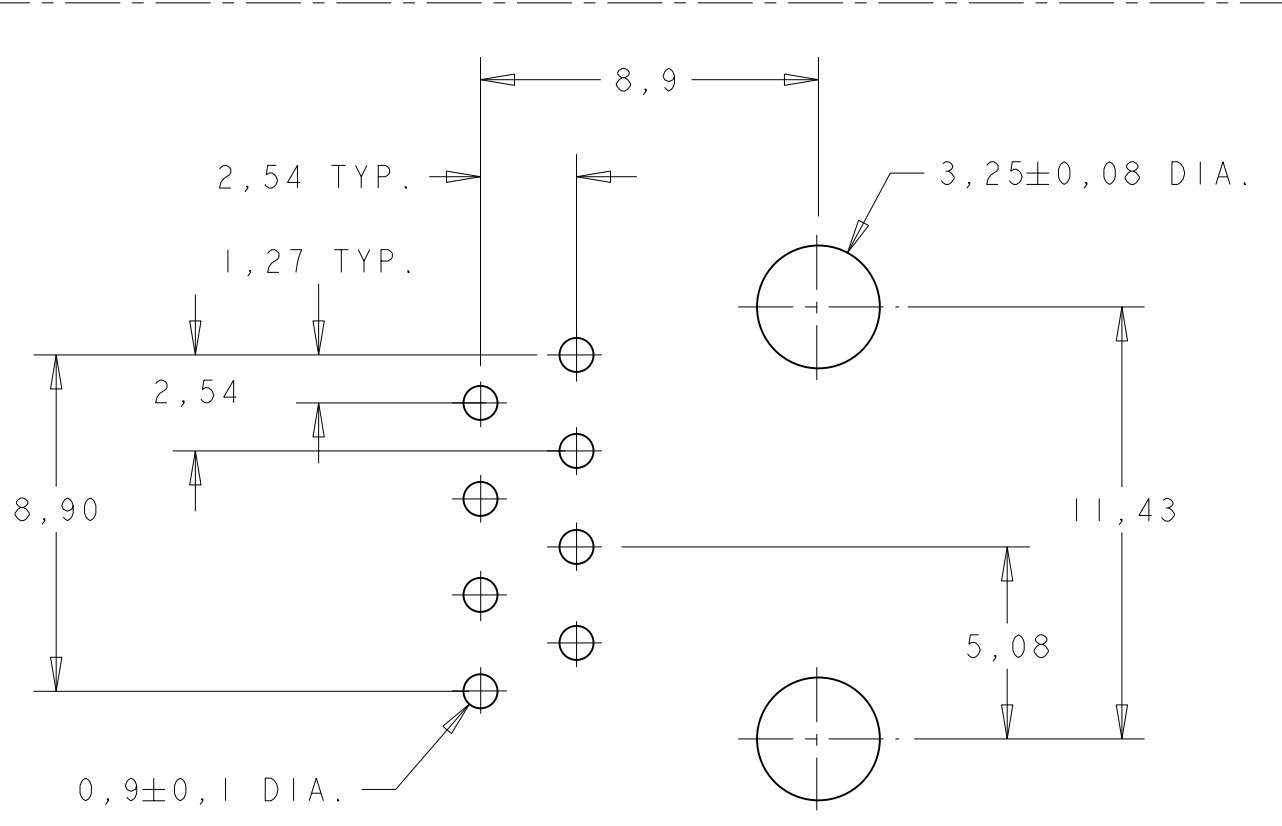
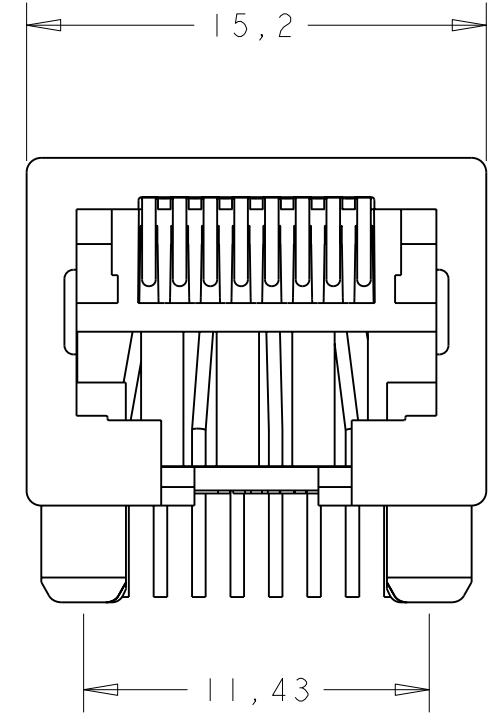
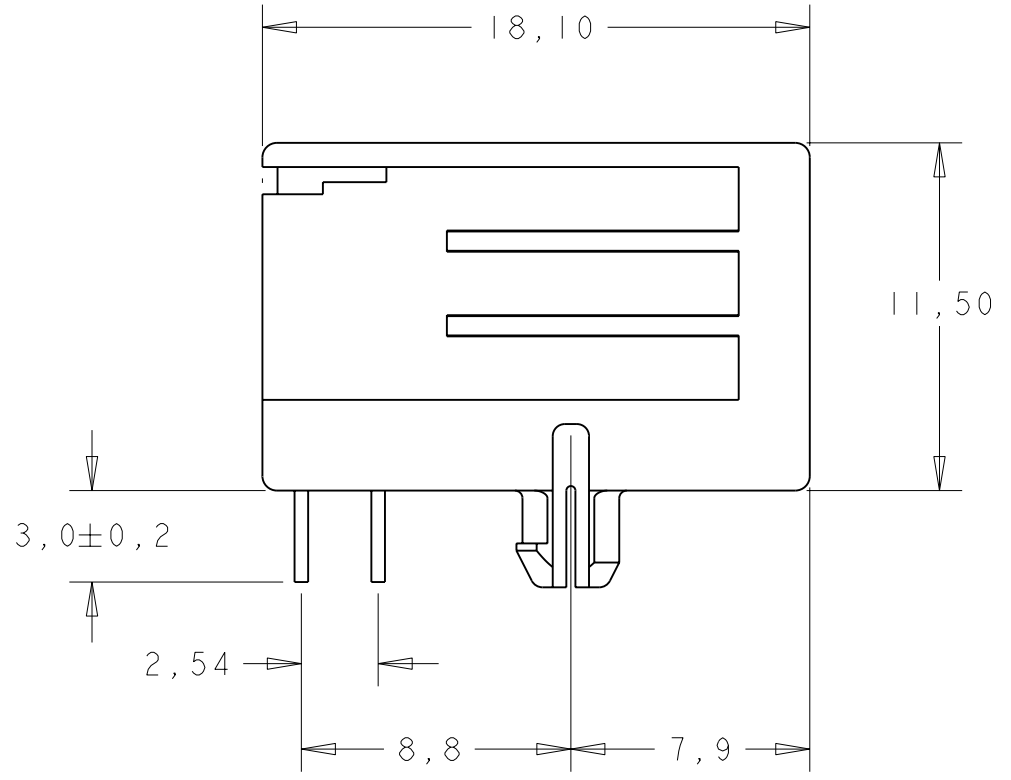
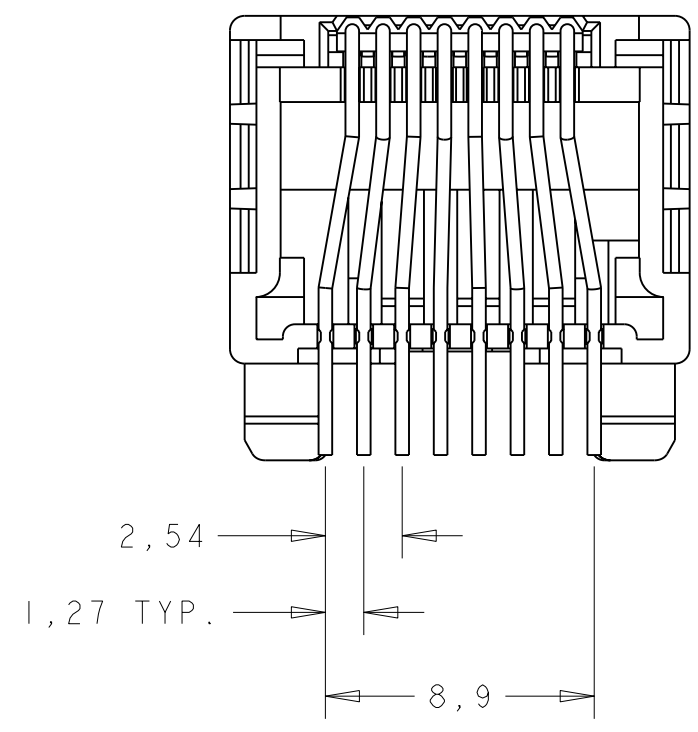
THIS DRAWING IS UNPUBLISHED. RELEASED FOR PUBLICATION  
 © COPYRIGHT 20 BY TE CONNECTIVITY ALL RIGHTS RESERVED.

| LOC | DIST | REVISIONS |     |  |           |     |      |
|-----|------|-----------|-----|--|-----------|-----|------|
|     |      | P         | LTR | DESCRIPTION                            | DATE      | DWN | APVD |
| 1R  | -    | B2        | -   | DURABILITY CYCLE UPDATED AFTER TESTING | 26AUG2011 | PS  | RRP  |
| -   | -    | -         | -   | -                                      | -         | -   | -    |
| -   | -    | -         | -   | -                                      | -         | -   | -    |
| -   | -    | -         | -   | -                                      | -         | -   | -    |



**NOTE:**

1. TOLERANCE UNLESS OTHERWISE SPECIFIED:  $\pm 0,15$ .
2. DURABILITY IS 200 CYCLES MAX ACCORDING TO TEST REPORT 502-19807 THIS WILL TAKE PRECEDENCE OVER THE PRODUCT SPECIFICATION.



|                               |                   |  |                                   |                |           |             |
|-------------------------------|-------------------|--|-----------------------------------|----------------|-----------|-------------|
| 200 PIECES IN A TRAY          | 8 POS./8 CONTACTS | IN CONTACT AREA:<br>0,15µm MIN. SEL. GOLD<br>OVER 1,2µm MIN. NICKEL.<br>SOLDER TINES:<br>2,5µm MIN. TIN<br>OVER 1,2µm MIN. NICKEL. | HSG COLOR: GREY<br>PBT. UL 94V-0  | PBT. UL 94V-0  | PH BRONZE | 1705951-4   |
| 1000 PIECES IN A BOX          |                   |  | HSG COLOR: GREY<br>PBT. UL 94V-0  | PBT. UL 94V-0  | PH BRONZE | 1705951-3   |
| 1000 PIECES IN A BOX          |                   |  | HSG COLOR: BLACK<br>PBT. UL 94V-0 | PBT. UL 94V-0  | PH BRONZE | 1705951-2   |
| 200 PIECES IN A TRAY          |                   |  | HSG COLOR: BLACK<br>PBT. UL 94V-0 | PBT. UL 94V-0  | PH BRONZE | 1-1705951-1 |
| TAPE MOUNTED<br>700 PCS./REEL |                   |  | HSG COLOR: BLACK<br>PBT. UL 94V-0 | PBT. UL 94V-0  | PH BRONZE | 1705951-1   |
| PACKAGING                     | FINISH            | MATERIAL   | HOUSING                           | CONTACT INSERT | CONTACTS  | PART NUMBER |

THIS DRAWING IS A CONTROLLED DOCUMENT.

|                  |                  |   |           |            |               |        |     |    |
|------------------|------------------|---|-----------|------------|---------------|--------|-----|----|
| DWN              | J. V. D. HEIJDEN | TE Connectivity<br>NAME<br>MODULAR JACK SIDE ENTRY, 8 POS FOR PRINTED CIRCUIT BOARD |           |            |               |        |     |    |
| CHK              | P. WILLEMS       |   |           |            |               |        |     |    |
| APVD             | J. BROEKSTEEG    |   |           |            |               |        |     |    |
| PRODUCT SPEC     | 108-19064        |   |           |            |               |        |     |    |
| APPLICATION SPEC | 114-19019        | SIZE  | CAGE CODE | DRAWING NO | RESTRICTED TO |        |     |    |
| MATERIAL         | FINISH           | WEIGHT  | -         | A260779    | C-1705951     |        |     |    |
| CUSTOMER DRAWING |                  |   | SCALE     | 5:1        | SHEET         | 1 OF 1 | REV | B2 |

单击下面可查看定价，库存，交付和生命周期等信息

[>>TE Connectivity\(泰科\)](#)