

THIS DRAWING IS UNPUBLISHED.

RELEASED FOR PUBLICATION

20

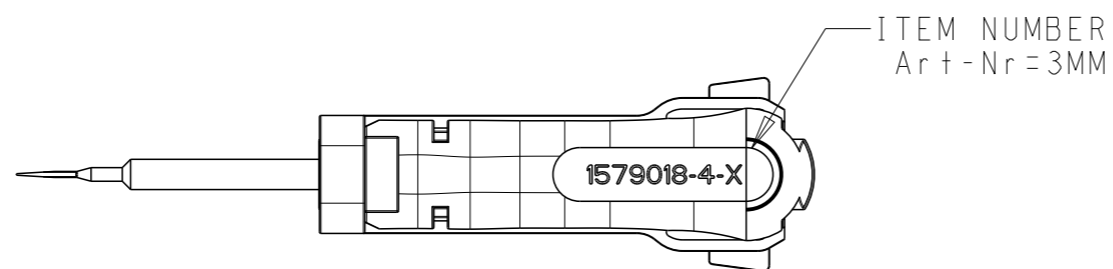
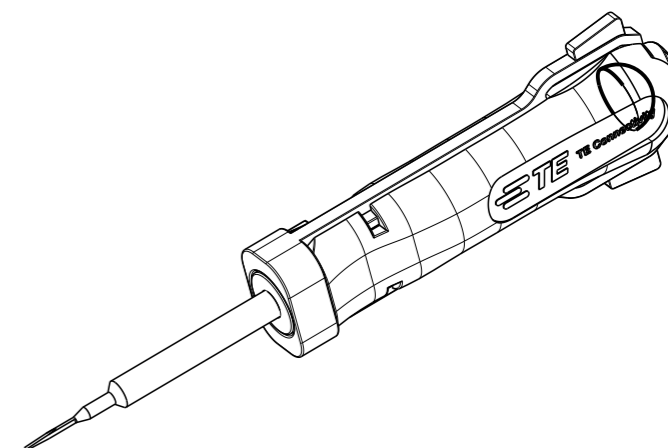
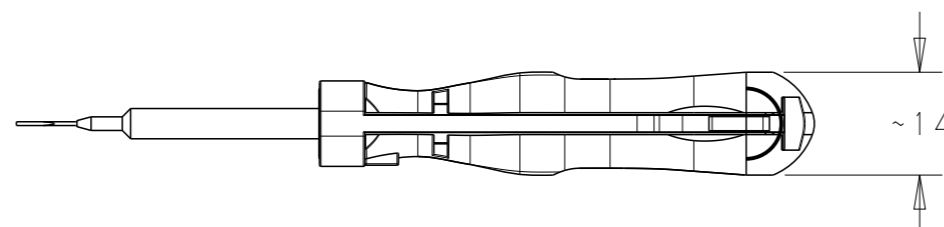
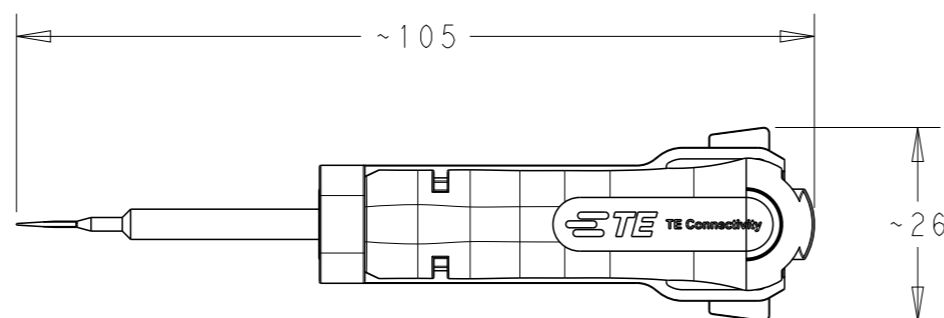
© COPYRIGHT 20 BY -

ALL RIGHTS RESERVED.

REVISIONS

| P | LTR | DESCRIPTION | DATE | DWN | APVD |
|---|-----|---------------|-----------|-----|------|
| | A1 | ECR-15-008803 | 13JUN2015 | KH | RG |
| | | | | | |
| | | | | | |

CONTACT / Kontakt: PN 917308, PN 917309
 HOUSING / Gehäuse: PN 917318, PN 917319



THIS DRAWING IS A CONTROLLED DOCUMENT.

| DIMENSIONS: | |
|-------------|--|
| mm | |
| | |

| TOLERANCES UNLESS OTHERWISE SPECIFIED: | |
|--|-------|
| 0 PLC | ±0.1 |
| 1 PLC | ±0.05 |
| 2 PLC | ±0.02 |
| 3 PLC | ± |
| 4 PLC | ± |
| ANGLES | ±0.5° |
| FINISH | - |
| | - |

MATERIAL

| | | |
|------------------|-------------|------------|
| DWN | H.Fink | 28.09.2009 |
| CHK | G.Stegmayer | 28.09.2009 |
| APVD | G.Stegmayer | 28.09.2009 |
| PRODUCT SPEC | - | |
| APPLICATION SPEC | - | |
| WEIGHT | 0.012Kg | A3 |
| Customer Drawing | | |



NAME
 EXTRACTION TOOL
 Entriegelungswerkzeug

| SIZE | CAGE CODE | DRAWING NO | RESTRICTED TO |
|-----------|-----------|--------------|---------------|
| A3 | - | 1579018-4 | - |
| SCALE 1:1 | | SHEET 1 OF 1 | REV A1 |

单击下面可查看定价，库存，交付和生命周期等信息

[>>TE Connectivity\(泰科\)](#)