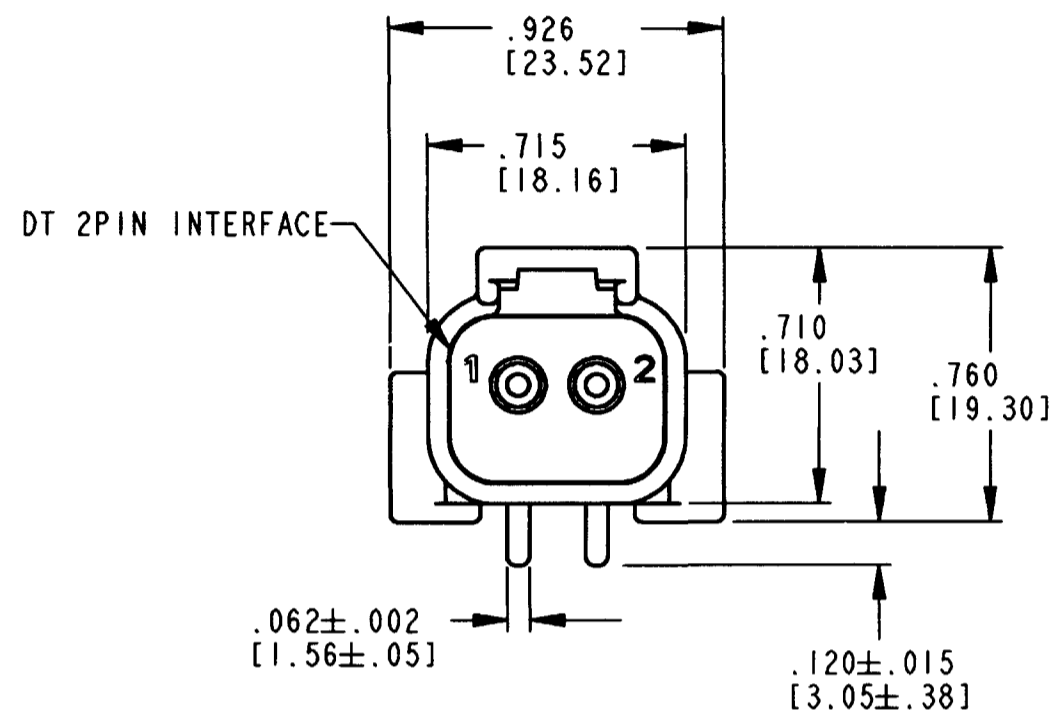
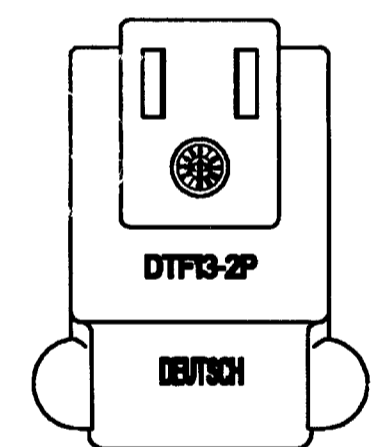
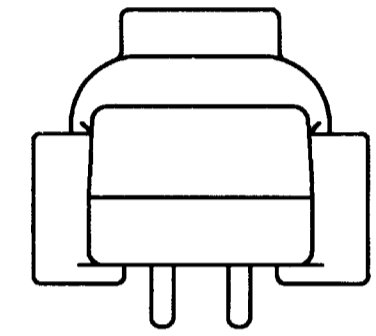
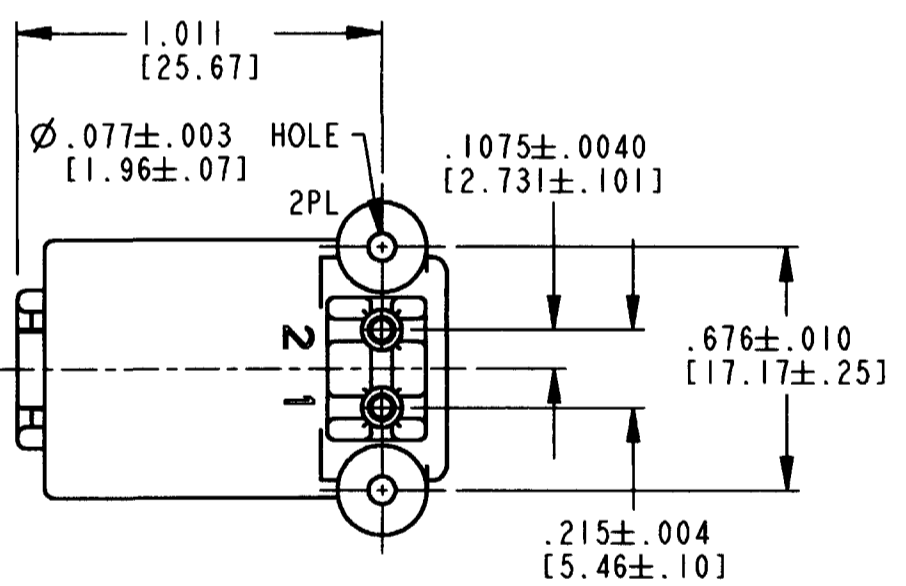
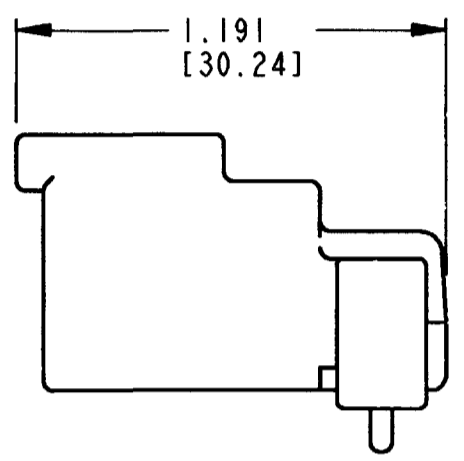
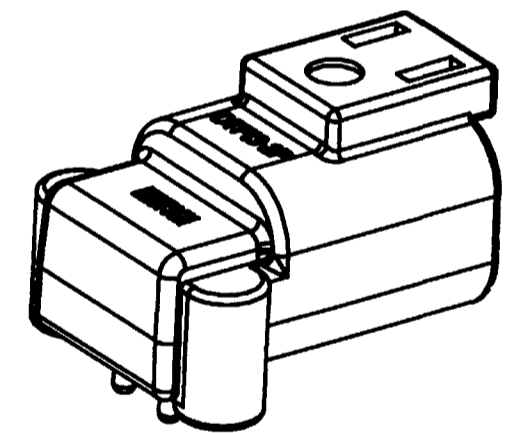


REV NC DTF13-2P

REVISIONS			
SYM	DESCRIPTION	DATE	APPROVED
NC	NEW RELEASE PER E.O. PI6803	7/12/00	<i>[Signature]</i>



3D VIEW



- NOTES:
1. ALL DIMENSIONS ARE IN INCHES [METRIC].
 2. DIMENSIONS ARE ±.025[±.63] UNLESS OTHERWISE SPECIFIED.
 3. Ø.077 [Ø1.96] REF HOLE ARE FOR SIZE 2 SCREWS.
 4. CONNECTOR MATES WITH THE DT06-2S-**** AND USES WEDGE PART NO. W2S. (**** = ALL MODIFICATIONS) CONSULT FACTORY FOR MODIFICATIONS.
 5. MATERIALS: HOUSING - HIGH TEMPERATURE NYLON BLACK
PINS - TIN PLATED

SIGNATURE & DATE	
DR	M. GONZALEZ 8/8/00
CHK	<i>[Signature]</i>
PE	<i>[Signature]</i> 8/9/00
APPD	<i>[Signature]</i> 8/14/00
SCALE	NONE WT

90° RECEPTACLE
FLANGELESS 2 PIN CONNECTOR
DTF SERIES
16 SIZE
KEY NONE
COLOR BLACK

ENVELOPE

CP		MATL. CODE
The Deutsch Company		
DEUTSCH I.P.D. 3850 INDUSTRIAL AVE. HEMET, CALIF. 92545		
B	DTF13-2P	
DWG SIZE	CODE 11139	SHEET OF

单击下面可查看定价，库存，交付和生命周期等信息

[>>TE Connectivity\(泰科\)](#)