

THIS DRAWING IS UNPUBLISHED. RELEASED FOR PUBLICATION JUNE ,2006.

© COPYRIGHT 2006 By - ALL RIGHTS RESERVED.

LOC	DIST	REVISIONS					
E	B	P	LTR	DESCRIPTION	DATE	DWN	APVD
		C		ECR-14-016163	30OCT2014	RZ	MY

NOTES:

1 SINGLE PACKING: ONE CONNECTOR PER LABELED BAG PACKAGED. LABELED PER TEC-107-115

2 TRAY PACKAGED

3 Ag PLATING

4 ELECTRICAL CHARACTERISTICS

FREQUENCY RANGE:	DC - 2 GHz
NOMINAL IMPEDANCE:	75 Ohm
INSULATION RESISTANCE:	5000 MOhm
WORKING VOLTAGE:	500 Volts RMS at Sea Level
DIELECTRIC WITHSTAND VOLTAGE:	1500 Volts RMS Max
CONTACT RESISTANCE:	
CENTER CONTACT:	1.50 mOhm Max
OUTER CONTACT:	1.00 mOhm Max
VSWR @ xGHz:	N/A
INSERTION LOSS xdb:	N/A

5 MECHANICAL CHARACTERISTICS

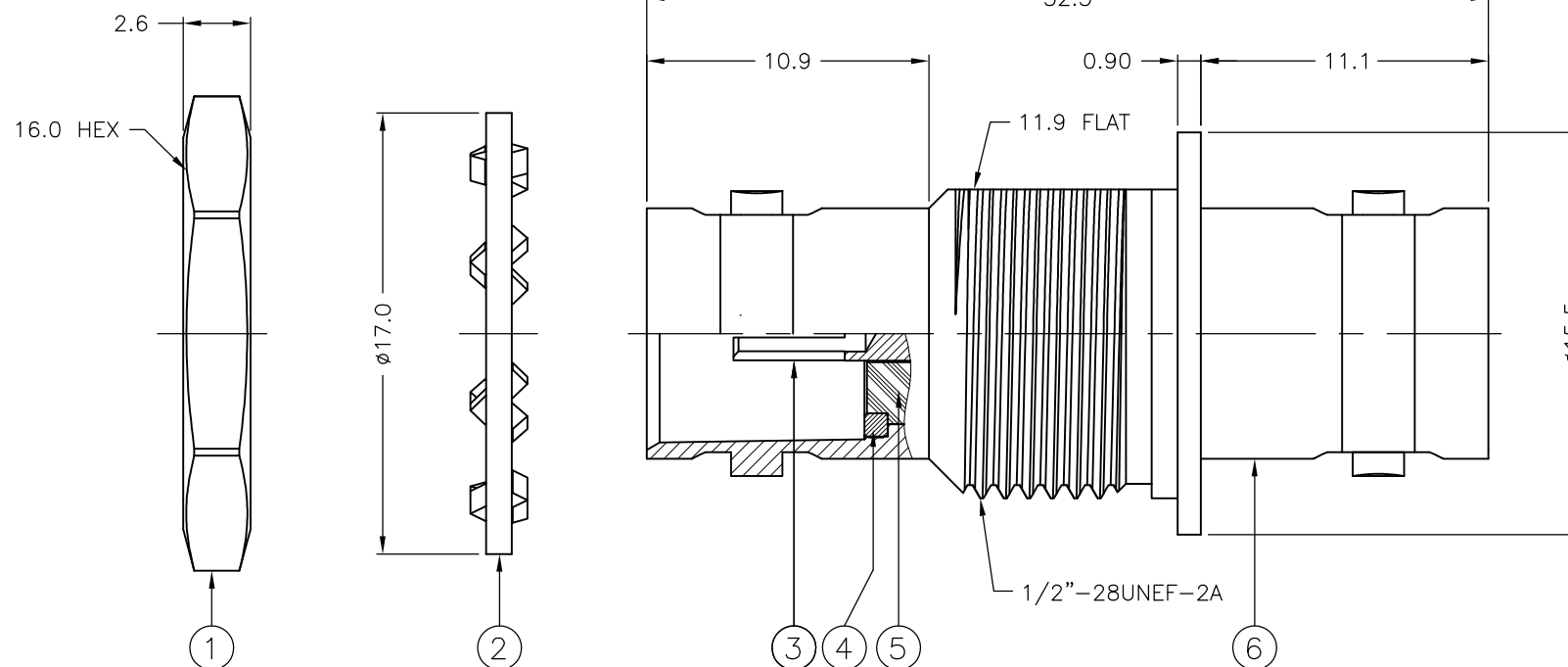
MOUNT NUT RECOMMENDED TORQUE:	4 Nm
DURABILITY:	500 Cycles Min

6 ENVIRONMENTAL CHARACTERISTICS

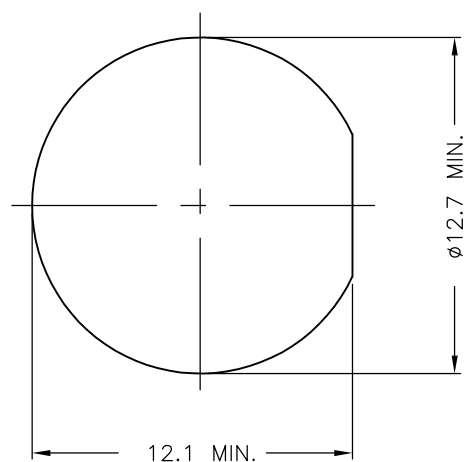
OPERATING TEMPERATURE:	-40 to +85 DegC
------------------------	-----------------

7 FOR TECHNICAL DATA REFER TO YOUR LOCAL TE CONNECTIVITY SALES OFFICE

8 ALL DIMENSIONS ARE NOMINAL FOR REFERENCE ONLY UNLESS OTHERWISE STATED



RECOMMENDED PANEL LAYOUT



QTY	ASSEMBLY	MATERIAL	DESCRIPTION	ITEM
1	1	BRASS	BODY	6
2	2	PTFE	INSULATOR	5
1	1	BRASS	WASHER	4
1	1	PHOSPHOR BRONZE	CONTACT	3
1	1	PHOSPHOR BRONZE	LOCKWASHER	2
1	1	BRASS	MOUNT NUT	1
6--0	1--0	MATERIAL	DESCRIPTION	ITEM
QUANTITY PER ASSY		PARTS LIST		

THIS DRAWING IS A CONTROLLED DOCUMENT.		DWN	J.SANDWELL	13JUN06	 TE Connectivity	NAME		BNC BULKHEAD ADAPTOR J-J 75 OHM			
DIMENSIONS:		CHK	S.PARLOW	13JUN06		PRODUCT SPEC		-			
TOLERANCES UNLESS OTHERWISE SPECIFIED:		APVD	F.WHEELER-KING	13JUN06		APPLICATION SPEC		-			
mm		PRODUCT SPEC		APPLICATION SPEC		-		-			
MATERIAL		FINISH		WEIGHT		SIZE	CAGE CODE	DRAWING NO	RESTRICTED TO		
SEE TABLE		-		-		A3	00779	C-1478045	-		
CUSTOMER DRAWING						SCALE	NTS	SHEET	1 OF 1	REV	C

单击下面可查看定价，库存，交付和生命周期等信息

[>>TE Connectivity\(泰科\)](#)