

THIS DRAWING IS UNPUBLISHED.

RELEASED FOR PUBLICATION

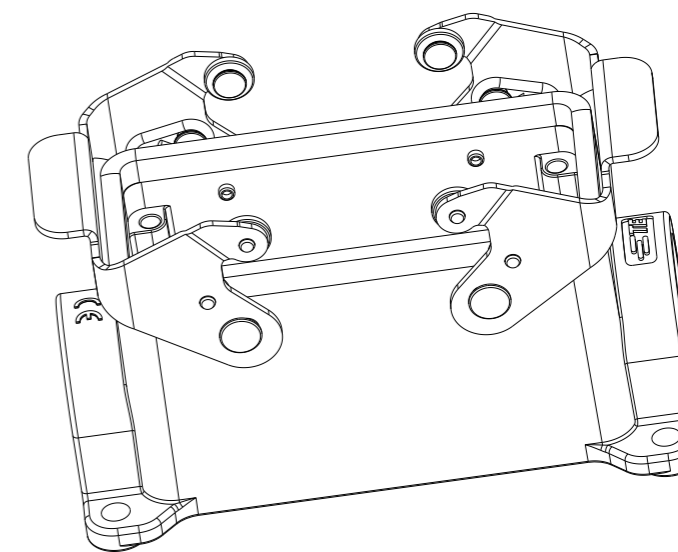
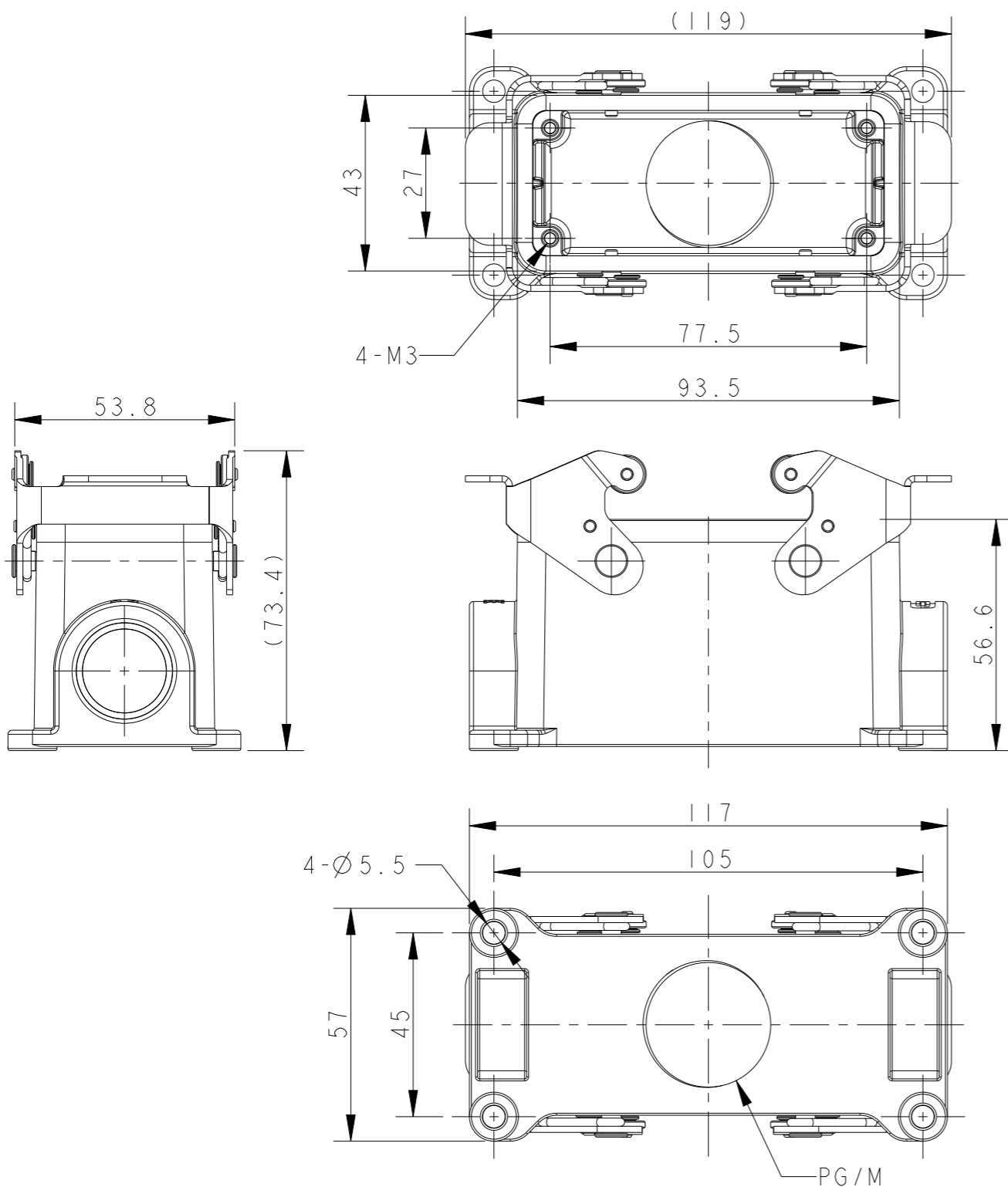
20

© COPYRIGHT 20 BY -

ALL RIGHTS RESERVED.

REVISIONS


P	LTR	DESCRIPTION	DATE	DWN	APVD
A		INITIAL RELEASE	05JUL2015	DL	CW
B		ECR-20-008190	16SEP2020	WQR	CW



NOTES:
 1. TECHNICAL CHARACTERISTICS:
 BODY MATERIAL: DIE CAST ALUMINIUM ALLOY
 SURFACE TREATMENT: POWDER-COATED, GRAY
 DEGREE OF PROTECTION: IP65 (MATED)

注释:
 1. 技术参数:
 主体材料: 铝合金
 表面处理: 粉末喷涂, 灰色
 防护等级: IP65(配合)

T1540162132-000	H16B-SGRS-TM32	M32
ASSEMBLY PART NUMBER	ASSEMBLY PART DESCRIPTION	PG/M

THIS DRAWING IS A CONTROLLED DOCUMENT.		DWN	DAVID LI	05JUL2015	 TE Connectivity NAME H16B-SGRS-TM32					
DIMENSIONS: mm		CHK	CHRIS WANG	05JUL2015						
TOLERANCES UNLESS OTHERWISE SPECIFIED:		APVD	XU XIANG	05JUL2015						
0 PLC ±- 1 PLC ±- 2 PLC ±- 3 PLC ±- 4 PLC ±- ANGLES ±- FINISH -		PRODUCT SPEC	108-137013	APPLICATION SPEC		114-137013				
MATERIAL	TBD	WEIGHT	-	CUSTOMER DRAWING	SCALE	7:10	SHEET	1 OF 1	REV	B

单击下面可查看定价，库存，交付和生命周期等信息

[>>TE Connectivity\(泰科\)](#)