

4

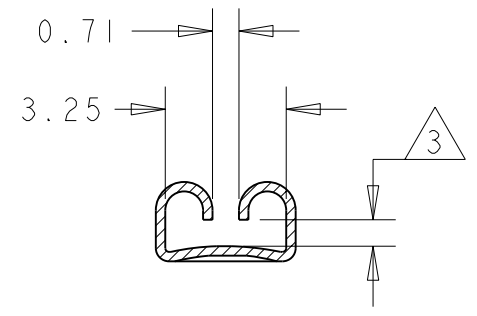
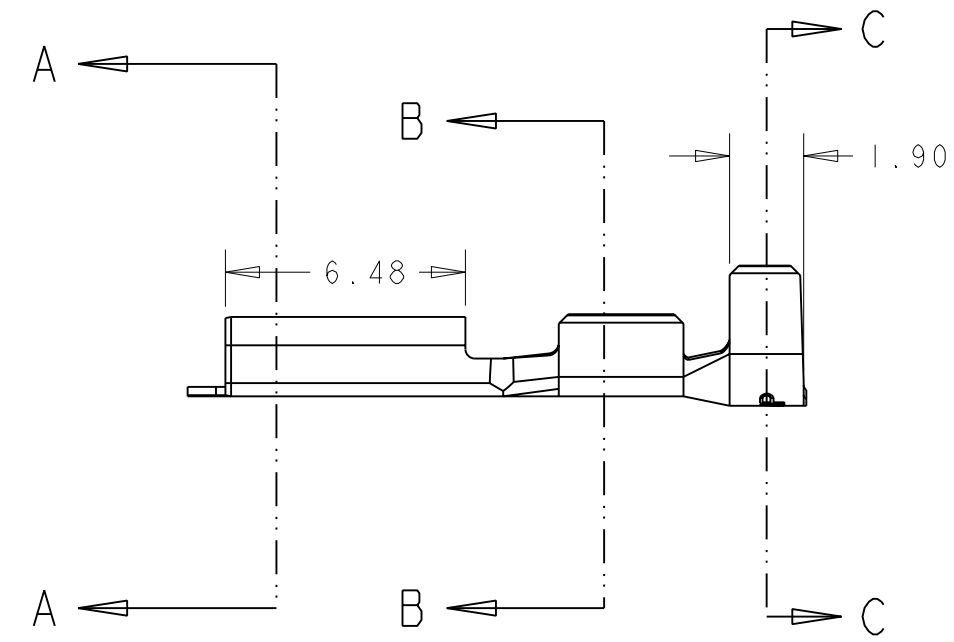
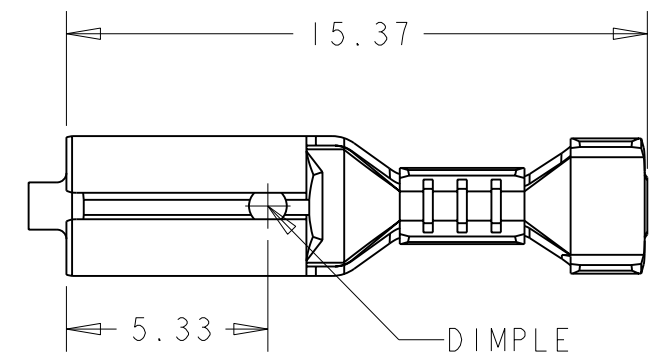
3

2

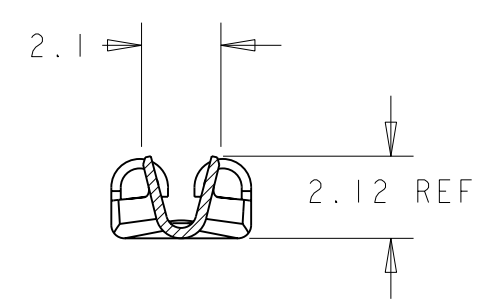
1

THIS DRAWING IS UNPUBLISHED. RELEASED FOR PUBLICATION 20
 © COPYRIGHT 20 ALL RIGHTS RESERVED.

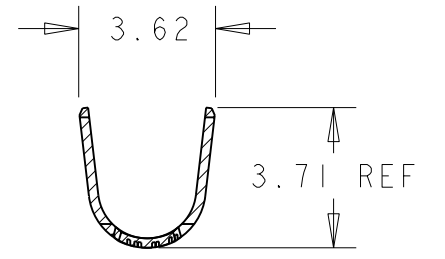
LOC	DIST	REVISIONS			
P	LTR	DESCRIPTION	DATE	DWN	APVD
	L1	ECR-10-000004	01JAN10	RK	SRE
	L2	L.P VERSION INFO ADDED	25MAY2011	PKS	RRP



SECTION A-A



SECTION B-B



SECTION C-C

NOTES:

- 1. WIRE SIZE: 0.2 - 0.56mm²
- 2. INSULATION DIAMETER: 2.0 - 3.0mm
- 3 TO SUIT 0.50mm THICK TAB

L.P P/N	REELING	FINISH	MATERIAL	PART NO
		NONE	NICKEL SILVER	150500-8
	SPLICE FREE	ELECTRO TIN	BRASS	150500-7
150205-6		NONE	PHOS BRONZE	150500-6
150205-5		SILVER PLATED	BRASS	150500-5
150205-4		PRE-TIN	BRASS	150500-4
150205-3		GOLD PLATED	BRASS	150500-3
150205-2		ELECTRO TIN	BRASS	150500-2
150205-1		NONE	BRASS	150500-1

THIS DRAWING IS A CONTROLLED DOCUMENT.		DWN M. GREENER 15JUN2007	TE Connectivity .110 SERIES MINIATURE FASTON RECEPTACLE		
DIMENSIONS: mm		CHK J. AMBROSE 15JUN2007			
TOLERANCES UNLESS OTHERWISE SPECIFIED:		APVD J. AMBROSE 15JUN2007			
0 PLC ±0.5 1 PLC ±0.5 2 PLC ±0.5 3 PLC ±0.5 4 PLC ±0.5 ANGLES ±° ±2 FINISH SEE TABLE		PRODUCT SPEC 108-20020	NAME		
MATERIAL SEE TABLE		APPLICATION SPEC 114-2036	SIZE A3	CAGE CODE 00779	DRAWING NO C-150500
		WEIGHT -	RESTRICTED TO -		
		CUSTOMER DRAWING	SCALE NTS	SHEET 1	OF 1
			REV L2		

单击下面可查看定价，库存，交付和生命周期等信息

[>>TE Connectivity\(泰科\)](#)