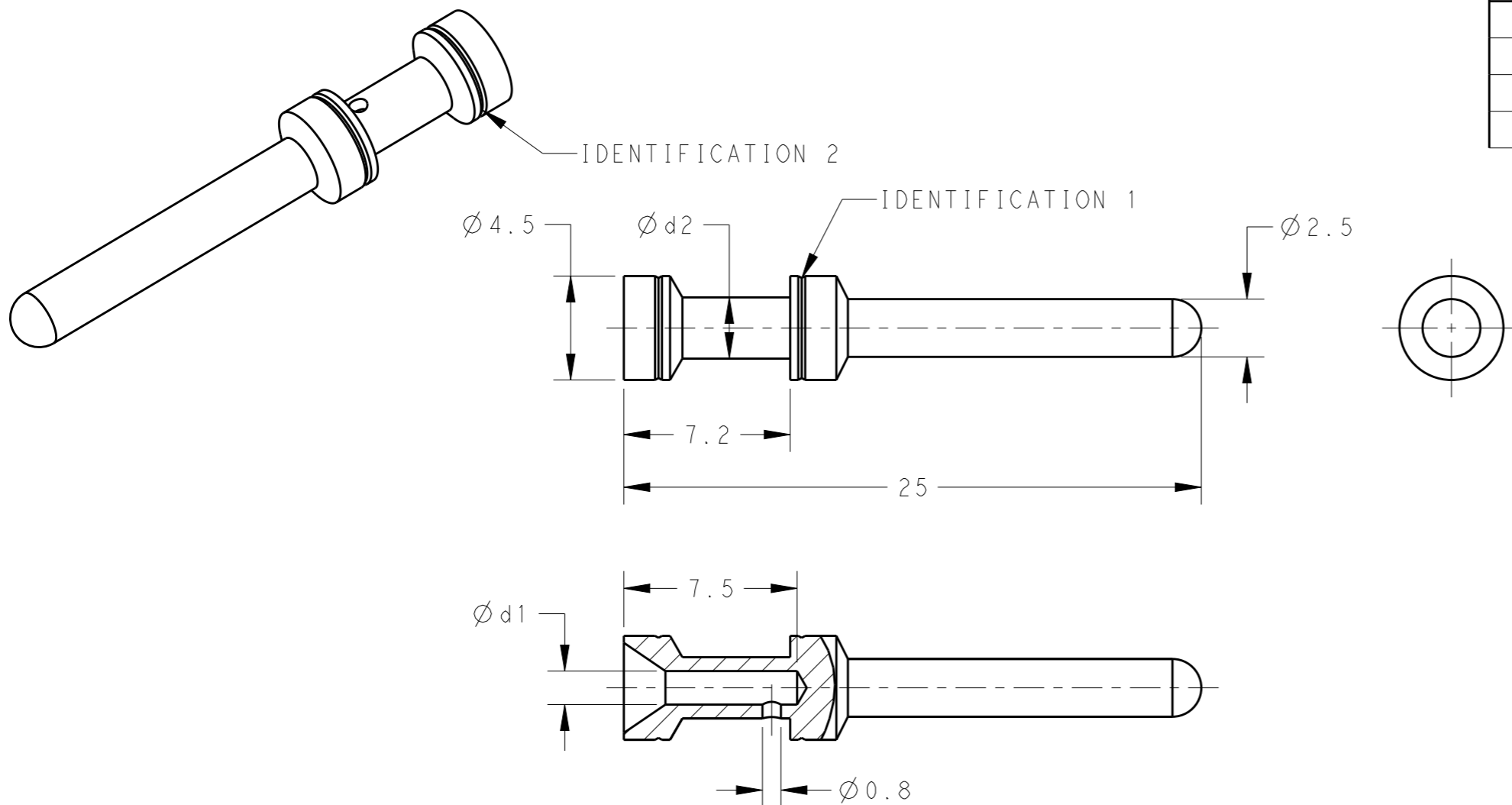


THIS DRAWING IS UNPUBLISHED. RELEASED FOR PUBLICATION 20
 © COPYRIGHT 20 BY - ALL RIGHTS RESERVED.

| REVISIONS | | | | | |
|-----------|-----|---------------|-----------|-----|------|
| P | LTR | DESCRIPTION | DATE | DWN | APVD |
| | A | INITIAL | 18JUN2014 | DW | CW |
| | A1 | ECR-15-009407 | 01JUN2015 | DW | CW |
| | | | | | |
| | | | | | |



NOTES:
 1. TECHNICAL CHARACTERISTICS:
 CONTACT MATERIAL: BRASS
 SURFACE PLATING:
 SILVER PLATING: $\geq 2\mu\text{m}$
 GOLD PLATING: $\geq 0.75\mu\text{m}$
 CONTACT RESISTANCE: $\leq 5\text{ m}\Omega$
 WIRE RANGE: 0.14-4 mm² (26-12 AWG)
 OPERATION TEMPERATURE: -40-+125°C

注释:
 1. 技术参数:
 公针材料: 黄铜
 表面电镀:
 镀银: $\geq 2\mu\text{m}$
 镀金: $\geq 0.75\mu\text{m}$
 接触电阻: $\leq 5\text{ m}\Omega$
 接线范围: 0.14-4 mm² (26-12 AWG)
 工作温度: -40-+125°C

| | PART NUMBER | | d1 | d2 | WIRE GAUGE | | STRIPPING LENGTH (mm) | IDENTIFICATION 1 (NUMBER OF GROOVES) | IDENTIFICATION 2 (NUMBER OF GROOVES) |
|-------------|-----------------|-----------------|------|------|-----------------|-------|-----------------------|--------------------------------------|--------------------------------------|
| | SILVER PLATING | GOLD PLATING | | | MM ² | AWG | | | |
| PIN CONTACT | T2030001002-000 | T2030011002-000 | 0.90 | 2.50 | 0.14-0.37 | 26-22 | 7.5 | 1 GROOVE | 1 GROOVE |
| | T2030001005-000 | T2030011005-000 | 1.15 | 2.50 | 0.5 | 20 | | NO GROOVE | NO GROOVE |
| | T2030001008-000 | T2030011008-000 | 1.30 | 2.50 | 0.75 | 18 | | NO GROOVE | 1 GROOVE |
| | T2030001010-000 | T2030011010-000 | 1.45 | 2.65 | 1.0 | 18 | | 1 GROOVE | NO GROOVE |
| | T2030001015-000 | T2030011015-000 | 1.75 | 3.00 | 1.5 | 16 | | 2 GROOVES | NO GROOVE |
| | T2030001025-000 | T2030011025-000 | 2.25 | 3.45 | 2.5 | 14 | | 3 GROOVES | NO GROOVE |
| | T2030001030-000 | T2030011030-000 | 2.55 | 3.75 | 3.0 | 12 | | 1 WIDE GROOVE | 1 GROOVE |
| | T2030001040-000 | T2030011040-000 | 2.85 | 3.85 | 4.0 | 12 | | NO GROOVE | NO GROOVE |

THIS DRAWING IS A CONTROLLED DOCUMENT.

| | |
|-------------------|---|
| DIMENSIONS: mm | TOLERANCES UNLESS OTHERWISE SPECIFIED: 0 PLC ±- 1 PLC ±- 2 PLC ±- 3 PLC ±- 4 PLC ±- ANGLES ±- |
| MATERIAL - | FINISH - |

| | |
|--------------------------------|---|
| DWN David Wang 18JUN2014 |  TE Connectivity |
| CHK Chris Wang 18JUN2014 | |
| APVD Xiang Xu 18JUN2014 | |
| PRODUCT SPEC 108-106137 | |
| APPLICATION SPEC 114-106137 | NAME CEM/DEM HEE PIN CONTACT |
| WEIGHT - | SIZE A3 |
| Customer Drawing | CAGE CODE 00779 |
| | DRAWING NO T20300X10XX000 |
| | RESTRICTED TO - |
| | SCALE 4:1 |
| | SHEET 1 OF 1 |
| | REV A1 |

单击下面可查看定价，库存，交付和生命周期等信息

[>>TE Connectivity\(泰科\)](#)