

THIS DRAWING IS UNPUBLISHED.

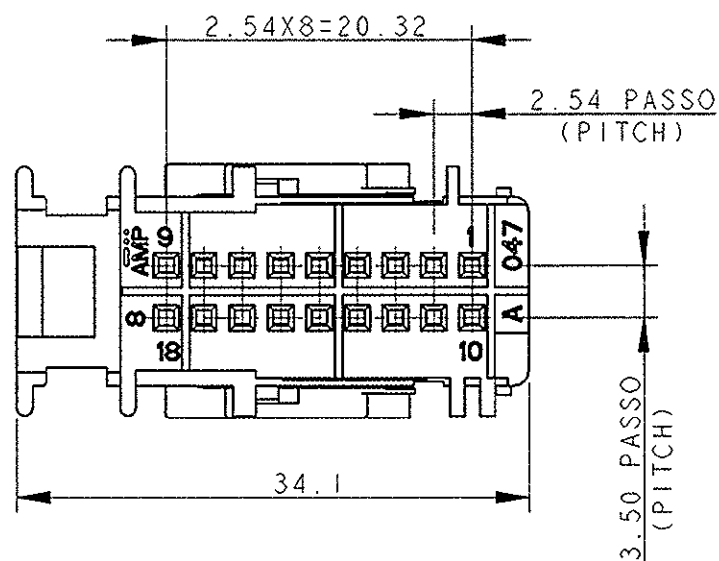
RELEASED FOR PUBLICATION

2003

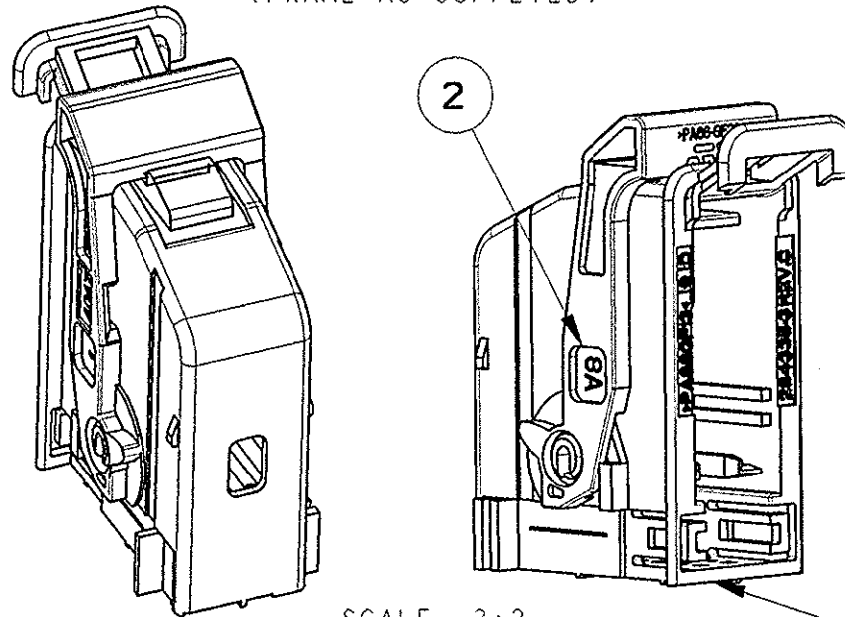
© COPYRIGHT 2003

BY TYCO ELECTRONICS CORPORATION. ALL RIGHTS RESERVED.

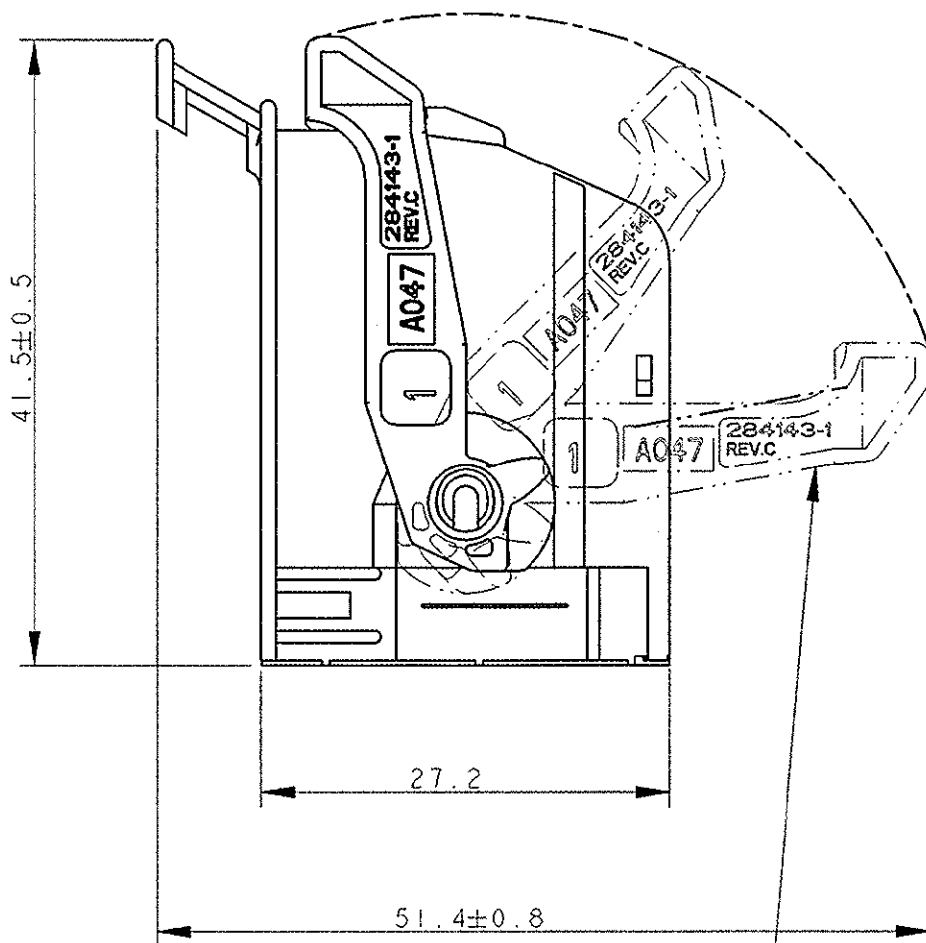
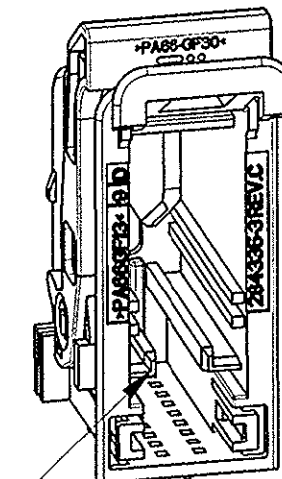
LOC	DIST	REVISIONS					
		P	LTR	DESCRIPTION	DATE	DWN	APVD
1	-	0		EMISSIONE PRELIMINARE (PRELIMINARY ISSUE)	10MAR2003	M.S.	O.C.
		1		ERA (WAS) P/N 03-51039-1	04NOV2003	M.S.	O.C.
		A		PRIMA EMISSIONE (FIRST ISSUE) ET00-0043-04	11JUN2004	M.P.	O.C.
		A1		RELEASED FOR PRODUCTION (RILASCIATO IN PRODUZIONE) ET00-0239-04	04FEB2005	M.P.	O.C.



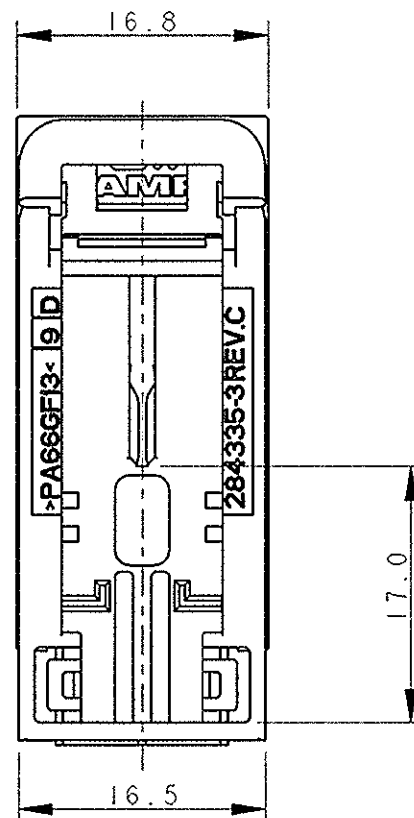
CORAZZA COME FORNITA (FRAME AS SUPPLIED)



P/N 1745003-1 NERO COME MOSTRATO (BLACK AS SHOWN)



LEVA IN POSIZIONE APERTA (LEVER IN OPEN POSITION)



NOTE : (NOTES:)

- 1 SEDE ADATTA PER MODULO CRIMP P/N 1745005-1 (1745005-2 PER CONN. 1745003-2), VEDI TABELLA SU FOGLIO 2/2. (SLOT SUITABLE FOR CRIMP MODULE P/N 1745005-1 (1745005-2 ON CONN. 1745003-2), SEE TABLE ON SHEET 2 OF 2).
- 2 MATERIALE CORAZZA: PA 6.6 CARICATO VETRO, VEDI TABELLA SU FOGLIO 2/3 E 3/3 PER IL COLORE. (SHELL MATERIAL: PA 6.6 GLASS FIBER FILLED, SEE TABLE ON SHEET 2 OF 3 AND 3 OF 3 FOR THE COLOUR).
- 3 MATERIALE LEVA: PA 6.6 CARICATO VETRO COLORE ROSSO (LEVER MATERIAL: PA 6.6 GLASS FIBER FILLED COLOUR RED).
- 4) IL PRODOTTO VIENE FORNITO CON LEVA IN POSIZIONE CHIUSA. (THE FRAME IS SUPPLIED WITH LEVER IN CLOSED POSITION).

ITEM	DESCRIPTION (DESCRIZIONE)	MATERIAL/COLOR (MATERIALE/COLORE)	Q.TY (Q.TA')
1	18 POS. FRAME (CORAZZA 18 VIE)	PA66GF/BLACK or GRAY (NERO o GRIGIO)	1
2	LEVER (LEVA)	PA66 G.F./RED (ROSSO)	1

THIS DRAWING IS A CONTROLLED DOCUMENT FOR TYCO ELECTRONICS CORPORATION. IT IS SUBJECT TO CHANGE AND THE CONTROLLING ENGINEERING ORGANIZATION SHOULD BE CONTACTED FOR THE LATEST REVISION.		DWN 09APR2004 M. POLIZZI CHK 09APR2004 O. CANUTO APVD 09APR2004 A. GENTA		tyco Electronics AMP Italia S.p.A. C.so F.lli Cervi 15 Collegno (TO)	
DIMENSIONS: mm 		TOLERANCES UNLESS OTHERWISE SPECIFIED: 0 PLC ±0.3 1 PLC ±0.3 2 PLC ±0.3 3 PLC ± 4 PLC ± ANGLES ±1°		NAME FRAME 18 POS. CRIMP/CRIMP 2.54 mm PITCH	
MATERIAL 		FINISH 		PRODUCT SPEC 108-20182 APPLICATION SPEC 411-20056 WEIGHT -	
CUSTOMER DRAWING				SIZE A3 CAGE CODE 00779 DRAWING NO C-1745003 RESTRICTED TO -	
SCALE 2:1 SHEET 1 OF 2 REV A1					

THIS DRAWING IS UNPUBLISHED.

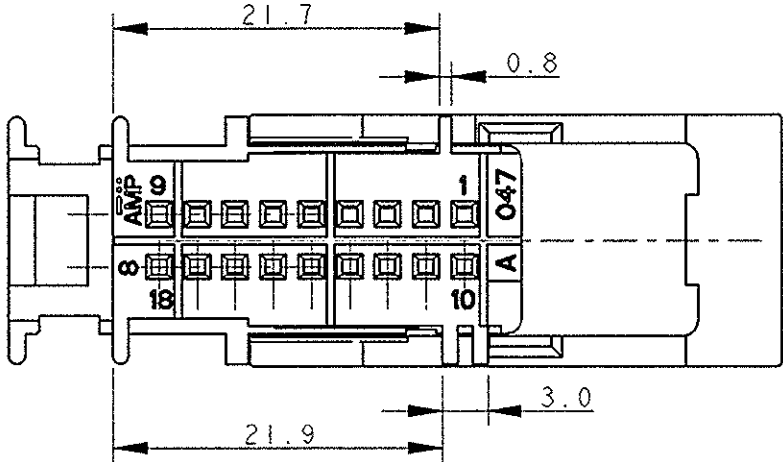
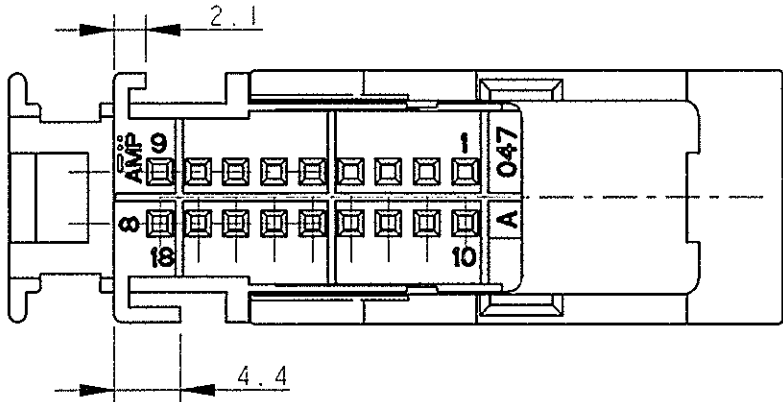
RELEASED FOR PUBLICATION

2003



© COPYRIGHT 2003

BY TYCO ELECTRONICS CORPORATION. ALL RIGHTS RESERVED.

LOC	DIST	REVISIONS					
		P	LTR	DESCRIPTION	DATE	DWN	APVD
1	-	-	-	SEE SHEET 1	-	-	-

P/N	RAPPRESENTAZIONE GRAFICA (GRAPHICAL REPRESENTATION)	COLORE (COLOUR)	MODULO CRIMP (CRIMP MODULE) P/N	COLORE MODULO (MODULE COLOUR)	CONTROPARTE (COUNTERPART)
1745003-1		NERO (BLACK)	1745005-1	NERO (BLACK)	DIMA P/N 953466 (HEADER P/N 953466)
1745003-2		GRIGIO (GREY)	1745005-2	GRIGIO (GREY)	DIMA P/N 953466 (HEADER P/N 953466)

THIS DRAWING IS A CONTROLLED DOCUMENT FOR TYCO ELECTRONICS CORPORATION. IT IS SUBJECT TO CHANGE AND THE CONTROLLING ENGINEERING ORGANIZATION SHOULD BE CONTACTED FOR THE LATEST REVISION.

DIMENSIONS:	TOLERANCES UNLESS OTHERWISE SPECIFIED:	DWN	09APR2004	 AMP Italia S.p.A. C.so F.lli Cervi 15 Collegno (TO)
mm	0 PLC ±0.3	CHK	M. POLIZZI	
	1 PLC ±0.3	APVD	O. CANUTO	
	2 PLC ±0.3	PRODUCT SPEC	A. GENTA	
	3 PLC ±-	APPLICATION SPEC		NAME
	4 PLC ±-	WEIGHT		FRAME 18 POS. CRIMP/CRIMP 2.54 mm PITCH
MATERIAL	FINISH	CUSTOMER DRAWING	A3 00779	SIZE
			©=1745003	CAGE CODE
				DRAWING NO
				RESTRICTED TO
				SCALE
				2.1
				SHEET
				2 OF 2
				REV
				A1

单击下面可查看定价，库存，交付和生命周期等信息

[>>TE Connectivity\(泰科\)](#)