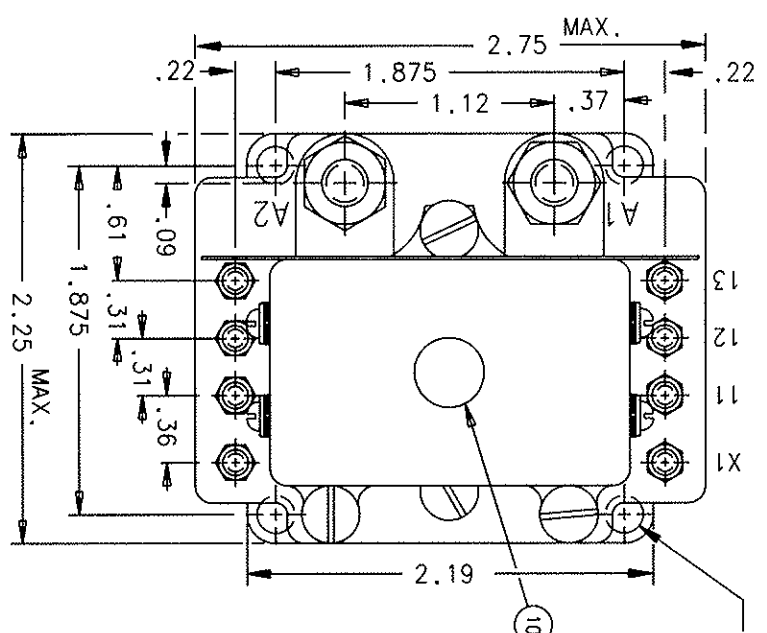


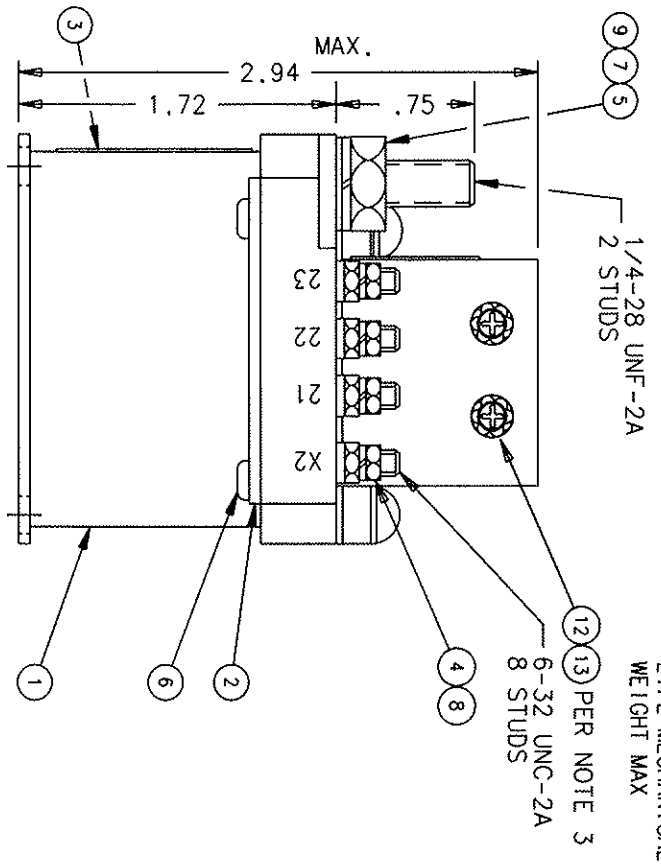
203 DIA. HOLE
4 MTG. HOLES
SEE NOTE 2



CONSTRUCTION
MAIN CONTACTS
CONFIGURATION
VOLTAGE (NOM.)
CURRENT RES.
INRUSH
AUXILIARY CONTACTS
CONFIGURATION
VOLTAGE
CURRENT RES.
SURGE

COIL DATA
MAX OPERATE
MIN OPERATE
PICKUP AT 25°C
DROPOUT
RES AT 25°C
DUTY CYCLE

ENVIRONMENTAL DATA
AMBIENT TEMP
LIFE ELECTRICAL
LIFE MECHANICAL
WEIGHT MAX



PER NOTE 3
6-32 UNC-2A
8 STUDS

1/4-28 UNF-2A
2 STUDS

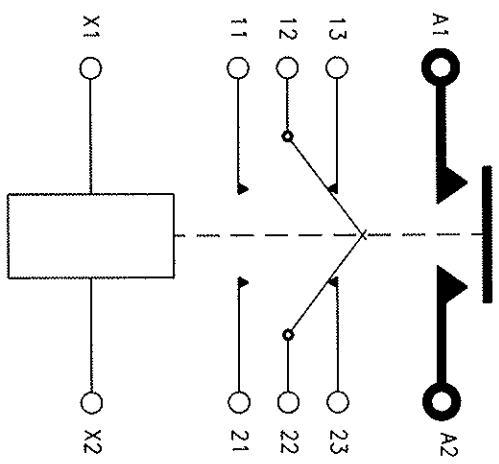
GASKET SEALED, SILASTIC SEALED

SPST N.O.
28 VDC
200 AMP
800 AMP CARRY ONLY
2 PDT SEE NOTE
28 VDC.
5 AMP, 10 A. CARRY ONLY
30 AMP CARRY ONLY FOR
0.1 SEC

30 VDC
8 VDC
6.5 V. MAX.
0.5 TO 7 VDC
11 OHM ± 20%
20 % 2 MIN MAX

-55°C TO +71°C
25,000 CYCLES MIN
100,000 CYCLES MIN
1 LB 10 OZ

- NOTES:
1. AUX. CONTACTS OPERATE BEFORE MAIN CONTACTS CLOSE.
2. PAINT REMOVED FROM TWO OPPOSITE MTG. HOLES, TOP AND BOTTOM, FOR GROUNDING PURPOSES.
3. APPLY BLACK SILASTIC RTV (54100-001) AROUND SCREW HEADS TO MASK SLOTS IN COVER ASSEMBLY-BRIDGE.



REV	DESCRIPTION	DATE	APPROVED
R 3668	COVER SCREENS ADDED, FRONT VIEW UPDATED	99/05/14	RS
I 42108	FIND 11 WAS 39529-055, NOTE 2 ADDED	00/03/31	RS
U 44343	ADD NOTE 3 AND FIND NOS. 12, 13. UPDATE VIEWS	01/03/20	CC
V 0471-04	REMOVED ITEM 11. ITEM 3 WAS 41895-001	04/05/01	CS

FIND NO	QTY	PART OR IDENTIFYING NO	NOMENCLATURE OR DESCRIPTION	FSCM NO	DRAWING OR SPECIFICATION	MATERIAL OR NOTE
13	AR	54102-001	GLYPHIAL			
12	AR	54100-001	BLACK SILASTIC RTV			
10	AR	57200-038	SEALING TAPE			
9	2	51807-034	WASHER-LOCK-NO. 1/4 SPLIT			BRONZE
8	8	51806-014	WASHER-LOCK-NO. 6 SPLIT			BRONZE
7	2	51703-064	WASHER-FLAT-1/2 X 17/64 X.032			BRONZE
6	4	51200-020	SCREW-NO. 4 X 1/4 PAN HD.			BRASS
5	2	50407-364	NUT-1/4-28 X 7/16 X 3/16 HEX			STAINLESS STEEL
4	8	50406-014	NUT-6-32 X 3/16 X 5/64 HEX			BRASS
3	1	47618-003	PLATE-NAME			
2	2	34290-001	PLATE - COVER			
1	1	32659-020	CONTRACTOR ASSEMBLY - PRI.			

UNLESS OTHERWISE SPECIFIED DIMENSIONS ARE IN INCHES DECIMALS ON

2 PL DEC. 13 PL DEC. ANGLES

SCALE NONE SHEET

REV. CMM

SILKORSKY
76550-00902-102

DR BY JAL 01/03/20
CHK BY CC 01/04/02
ENGR JL 01/04/05
MFG NH 01/04/05

SIZE CODE IDENT
C 74063

18 Hartmont Dr., Ste. 1175 N. Diamond Street Mansfield, Ohio 44902

Tyco Electronics

CONTACTOR-S.P.S.T. N.O.
200 AMP, 28 VDC

DWG NO. A-1077D

REF TYCO P/N 0-1616055-2

单击下面可查看定价，库存，交付和生命周期等信息

[>>TE Connectivity\(泰科\)](#)