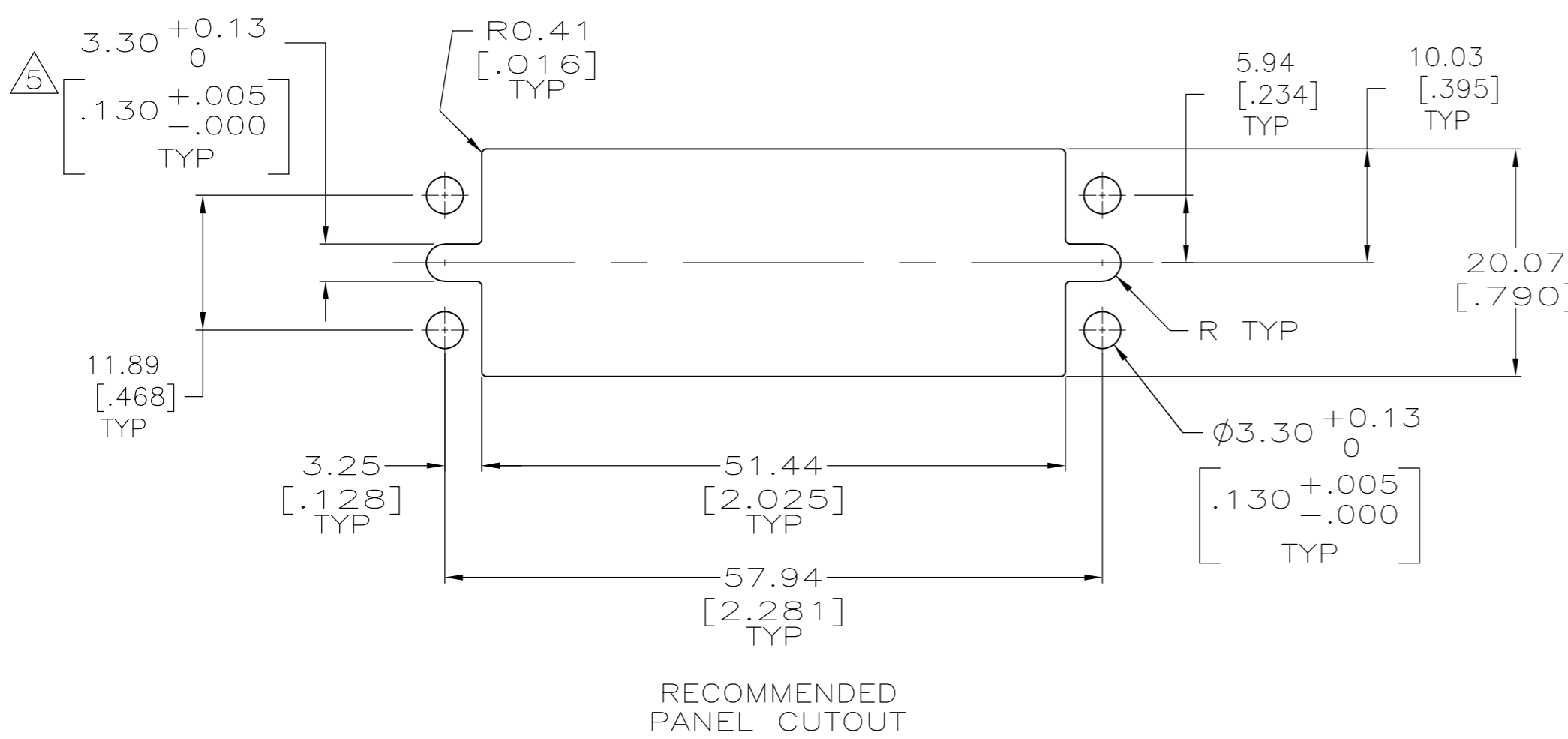
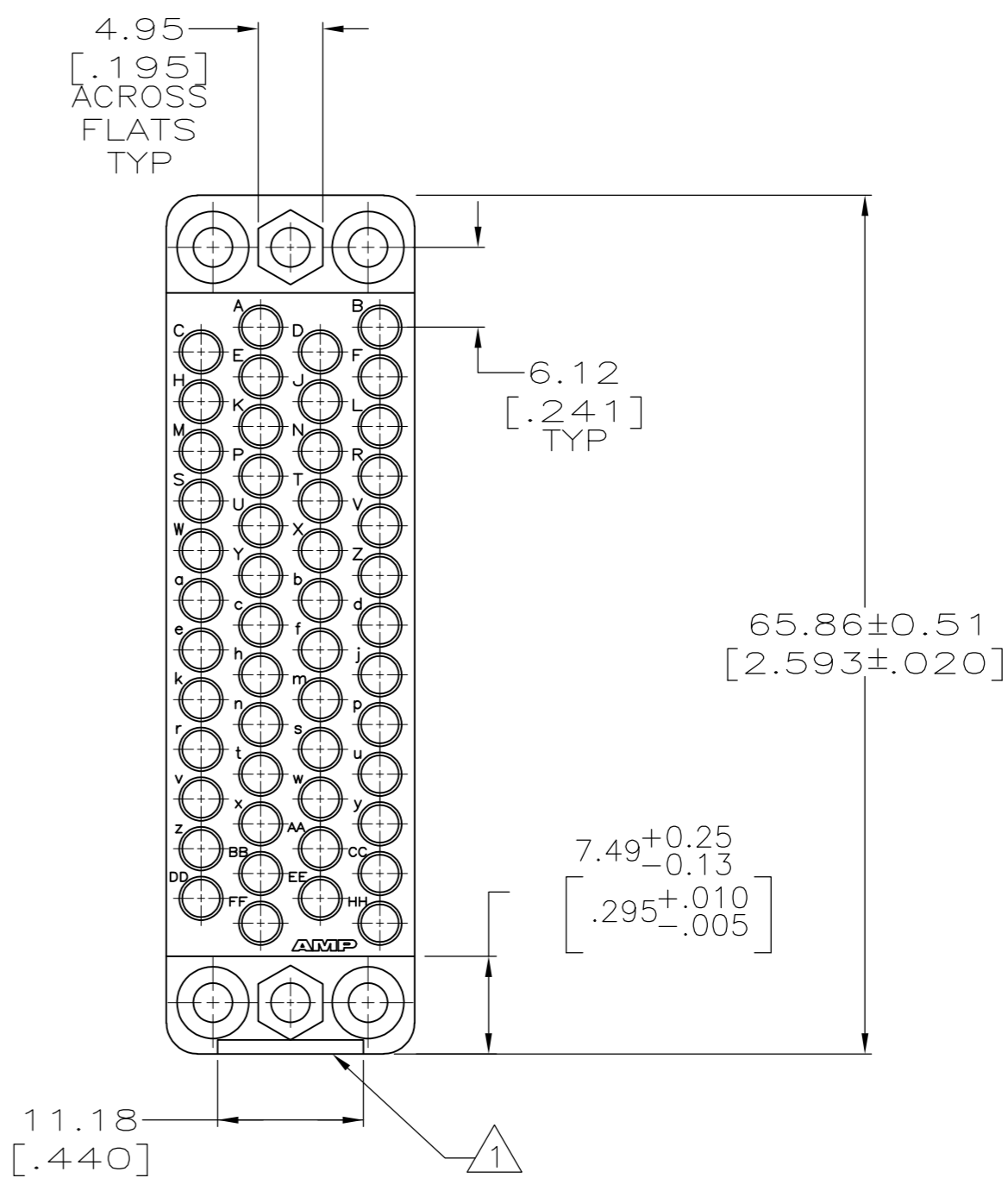
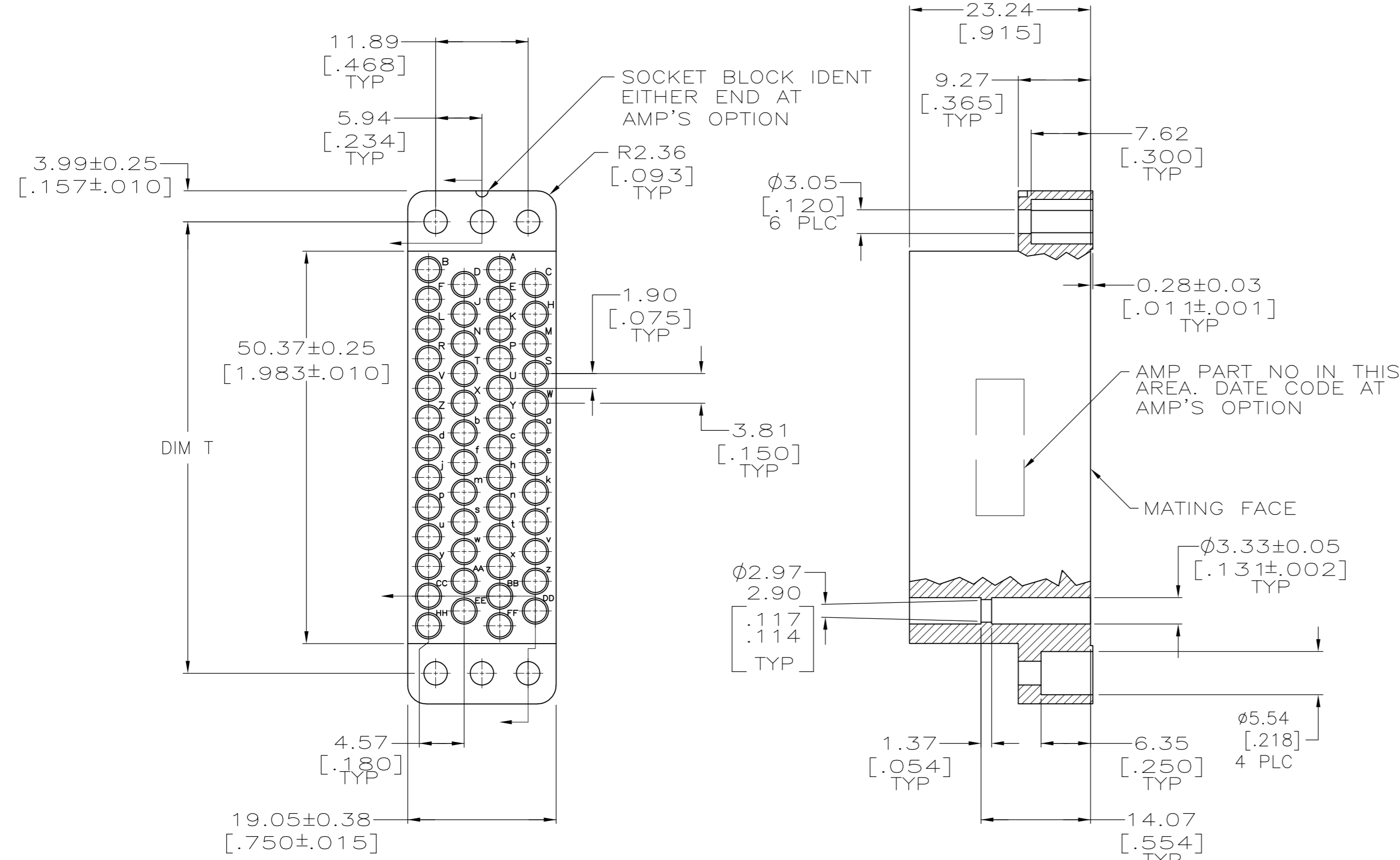


THIS DRAWING IS UNPUBLISHED. RELEASED FOR PUBLICATION
 © COPYRIGHT BY TYCO ELECTRONICS CORPORATION. ALL RIGHTS RESERVED.

LOC		DIST		REVISIONS					
FT		0		P	LTR	DESCRIPTION	DATE	DWN	APVD
				AN1		REVISED PER ECO-07-028849	12/6/07	SS	GS



- ① DEPRESSION OPTIONAL AT EITHER END.
- ② PHENOLIC PER MIL-M-14, TYPE CFG, BLACK.
- ③ DIALLYL PHTHALATE PER MIL-M-14, TYPE SDG-F, BLUE.
- 4. WHEN MATING WITH BLOCK 201358 ACCOMODATES TYPE II OR TYPE III+ #16 PIN OR SOCKET CONTACTS.
- ⑤ 5.54±0.13 [.218±.005] WHEN USING JACKSCREWS.

2.281±.015 ±.000	③	200277-4
2.281±.005 ±.003	②	200277-2
DIM T	MATERIAL	PART NUMBER

THIS DRAWING IS A CONTROLLED DOCUMENT.		DWN B.CARBO 11 AUG 97	Tyco Electronics Corporation Harrisburg, PA 17105-3608	
DIMENSIONS: mm [INCHES]		CHK R.STONE 18 AUG 97	NAME	
TOLERANCES UNLESS OTHERWISE SPECIFIED:		APVD G.STEINHAUER 05 SEP 97	BLOCK, FEMALE, 50 POS, MINIATURE RECTANGULAR, M SERIES	
0 PLC ± -		PRODUCT SPEC	SIZE A2	CAGE CODE 00779
1 PLC ± -		APPLICATION SPEC	DRAWING NO C=200277	RESTRICTED TO -
2 PLC ± 0.13 [.005]		WEIGHT -	SCALE 2:1	SHEET 1 OF 1
3 PLC ± -		CUSTOMER DRAWING	REV AN1	
4 PLC ± -				
ANGLES ± -				
FINISH -				

单击下面可查看定价，库存，交付和生命周期等信息

[>>TE Connectivity\(泰科\)](#)