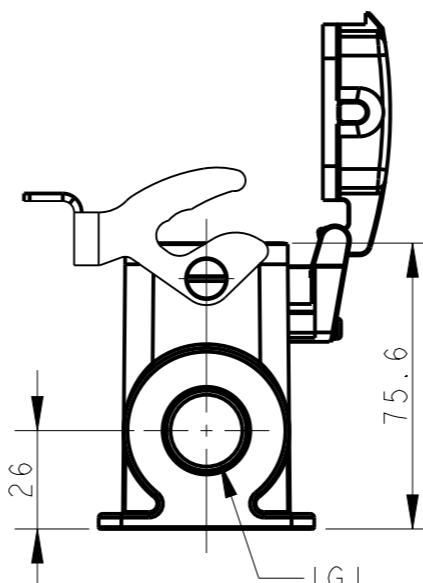
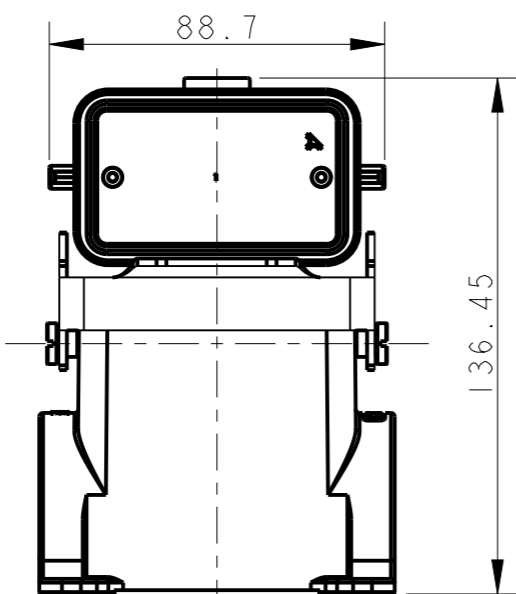
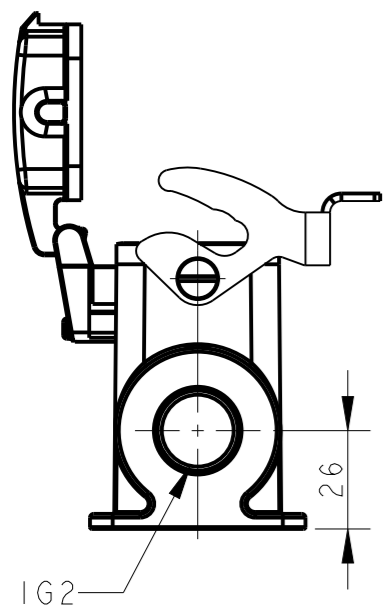
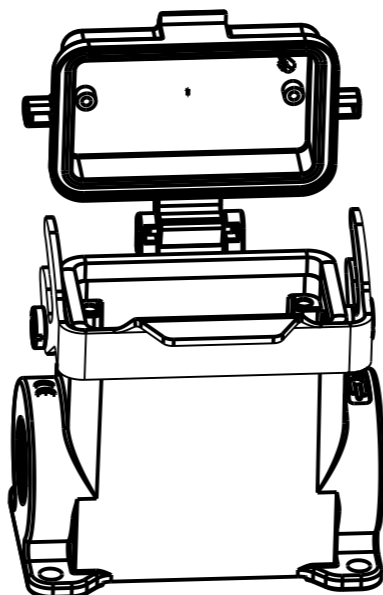
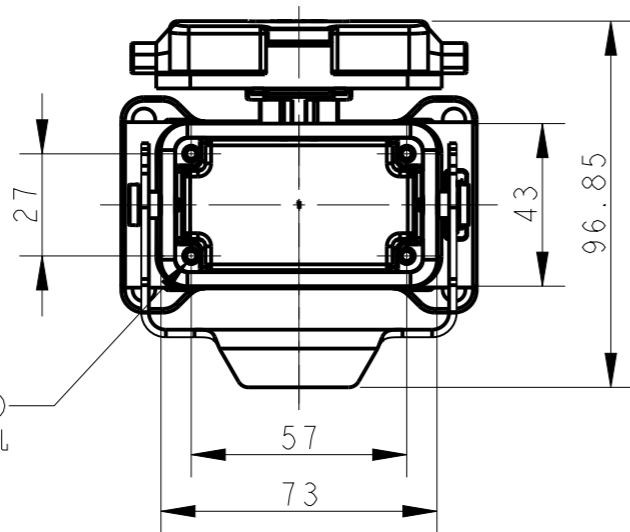


THIS DRAWING IS UNPUBLISHED. RELEASED FOR PUBLICATION 20
 © COPYRIGHT 20 BY - ALL RIGHTS RESERVED.

REVISIONS

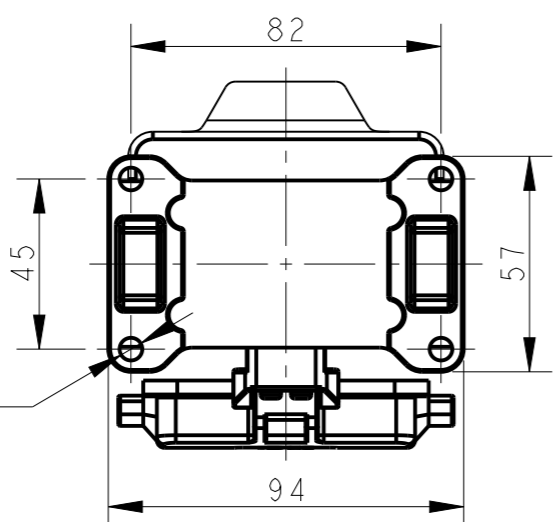
| P | LTR | DESCRIPTION | DATE | DWN | APVD |
|---|-----|-----------------|-----------|-----|------|
| | A | INITIAL RELEASE | 25JUN2015 | DL | CW |
| | B | ECR-20-008181 | 20JUL2020 | WQR | CW |

4X M3 THREAD
 4X M3 螺纹孔



NOTES:
 1. TECHNICAL CHARACTERISTICS:
 BODY MATERIAL: DIE CAST ALUMINIUM ALLOY
 SURFACE TREATMENT: POWDER-COATED, GRAY
 DEGREE OF PROTECTION: IP65 (MATED)

注释:
 1. 技术参数:
 主体材料: 铝合金
 表面处理: 粉末喷涂, 灰色
 防护等级: IP65(配合)



| | | | | |
|----------------------|--------|---------------------------|------|------|
| T1660103121-000 | TYPE I | H10B-SDRH-LB-PG21 | PG21 | - |
| T1660103125-000 | | H10B-SDRH-LB-M25 | M25 | - |
| T1660103129-000 | | H10B-SDRH-LB-PG29 | PG29 | - |
| T1660103132-000 | | H10B-SDRH-LB-M32 | M32 | - |
| T1660103221-000 | | H10B-SDRH-LB-2PG21 | PG21 | PG21 |
| T1660103225-000 | | H10B-SDRH-LB-2M25 | M25 | M25 |
| T1660103229-000 | | H10B-SDRH-LB-2PG29 | PG29 | PG29 |
| T1660103232-000 | | H10B-SDRH-LB-2M32 | M32 | M32 |
| ASSEMBLY PART NUMBER | TYPE | ASSEMBLY PART DESCRIPTION | IG1 | IG2 |

TYPE I: HIGH BODY + STEEL LOCKING + PLASTIC PROTECTION COVER

| | | | | |
|--|--|--------------------------------|--------------------------------|-----------------|
| THIS DRAWING IS A CONTROLLED DOCUMENT. | | DWN 25JUN2015 DAVID LI | TE Connectivity | |
| DIMENSIONS: mm | | CHK 25JUN2015 CHRIS WANG | | |
| TOLERANCES UNLESS OTHERWISE SPECIFIED: | | APVD 25JUN2015 XU XIANG | NAME H10B-SDRH-LB-PG/M | |
| 0 PLC ±- | | PRODUCT SPEC 108-137013 | RESTRICTED TO | |
| 1 PLC ±- | | APPLICATION SPEC 114-137013 | SIZE A3 | CAGE CODE - |
| 2 PLC ±- | | WEIGHT - | DRAWING NO C-T166010XXXX000 | |
| 3 PLC ±- | | CUSTOMER DRAWING | SCALE 1:2 | SHEET 1 OF 2 |
| 4 PLC ±- | | | REV B | |
| ANGLES ±- | | | | |
| FINISH - | | | | |
| MATERIAL TBD | | | | |

4

3

2

1

THIS DRAWING IS UNPUBLISHED.

RELEASED FOR PUBLICATION

20

© COPYRIGHT 20

BY -

ALL RIGHTS RESERVED.

REVISIONS

| P | LTR | DESCRIPTION | DATE | DWN | APVD |
|---|-----|-------------|------|-----|------|
| - | - | SEE SHEET 1 | - | - | - |
| | | | | | |
| | | | | | |

(96.5)

92.6

(133.9)

IG2

IG1

| | | | | |
|----------------------|--------|---------------------------|------|------|
| T1660103321-000 | TYPE 2 | H10B-SDRHM-LB-PG21 | PG21 | - |
| T1660103329-000 | | H10B-SDRHM-LB-PG29 | PG29 | - |
| T1660103332-000 | | H10B-SDRHM-LB-M32 | M32 | - |
| T1660103421-000 | | H10B-SDRHM-LB-2PG21 | PG21 | PG21 |
| T1660103429-000 | | H10B-SDRHM-LB-2PG29 | PG29 | PG29 |
| T1660103432-000 | | H10B-SDRHM-LB-2M32 | M32 | M32 |
| ASSEMBLY PART NUMBER | TYPE | ASSEMBLY PART DESCRIPTION | IG1 | IG2 |

THIS DRAWING IS A CONTROLLED DOCUMENT.

DWN 25JUN2015

DAVID LI

CHK 25JUN2015

CHRIS WANG

APVD 25JUN2015

XU XIANG

PRODUCT SPEC

108-137013

APPLICATION SPEC

114-137013

WEIGHT

-

CUSTOMER DRAWING

TE Connectivity

NAME
H10B-SDRHM-LB-PG/M

SIZE CAGE CODE DRAWING NO RESTRICTED TO

A3 - C-T166010XXXX000

SCALE 1:2 SHEET 2 OF 2 REV B

TYPE 2: HIGH BODY + STEEL LOCKING + METAL PROTECTION COVER

OTHER SPEC REFER TO TYPE 1

DIMENSIONS:

mm

TOLERANCES UNLESS OTHERWISE SPECIFIED:

| | |
|--------|----|
| 0 PLC | ±. |
| 1 PLC | ±. |
| 2 PLC | ±. |
| 3 PLC | ±. |
| 4 PLC | ±. |
| ANGLES | ±. |

MATERIAL

TBD

FINISH

-

1470-19 (3/13)

Downloaded From Onevac.com

单击下面可查看定价，库存，交付和生命周期等信息

[>>TE Connectivity\(泰科\)](#)