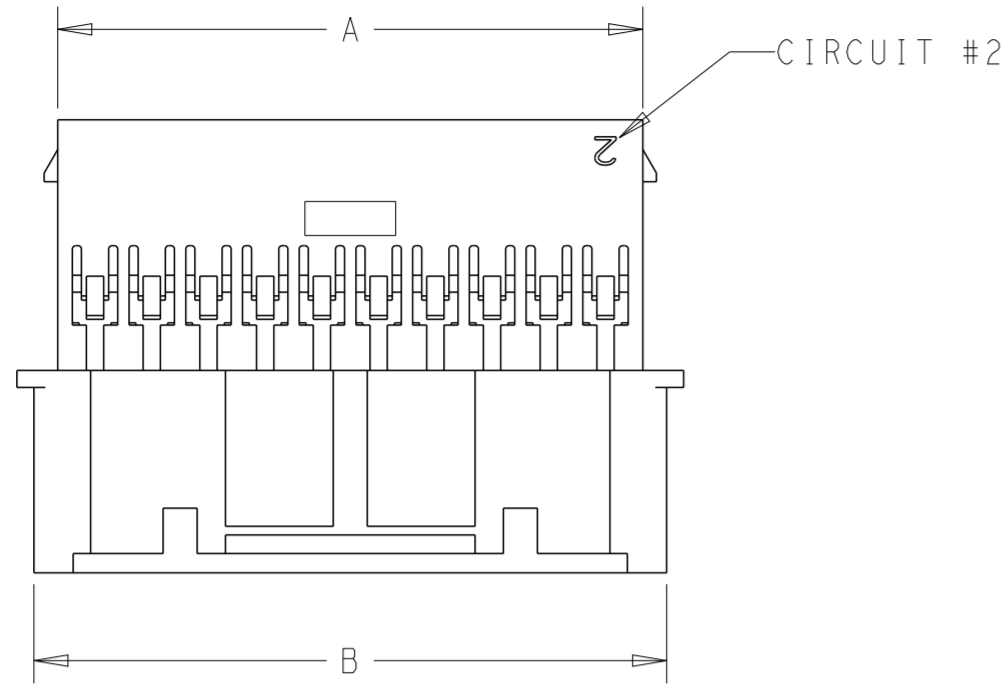
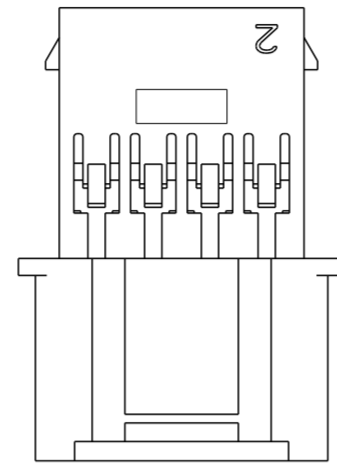


THIS DRAWING IS UNPUBLISHED. RELEASED FOR PUBLICATION 20
 © COPYRIGHT 20 BY - ALL RIGHTS RESERVED.

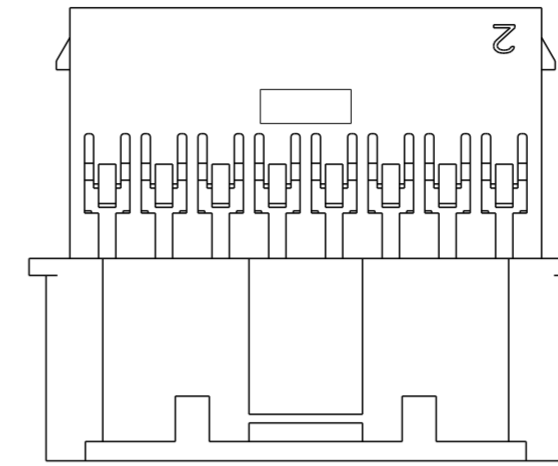
LOC		DIST		REVISIONS			
P	LTR	DESCRIPTION	DATE	DWN	APVD		
B		REVISED PER ECR-15-006219	29APR2015	NK	JR		



1-1969592-8 THROUGH 4-1969592-0
DOUBLE LATCH

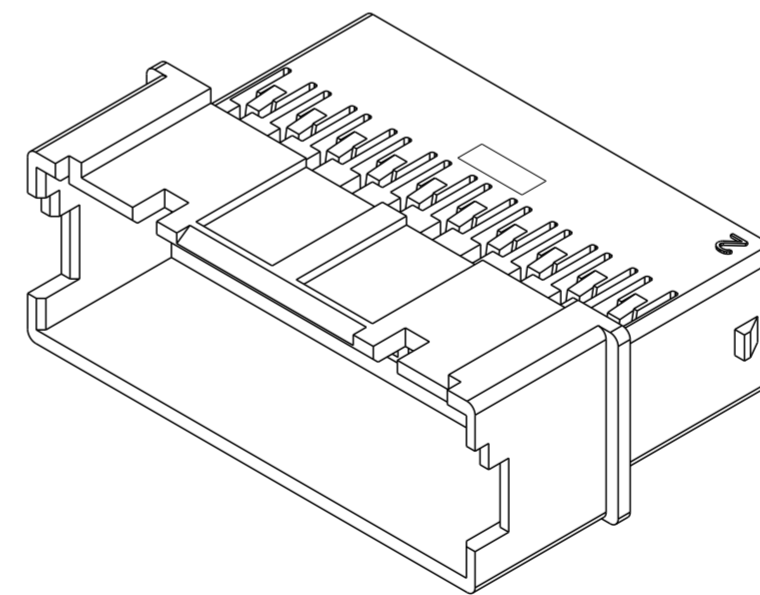
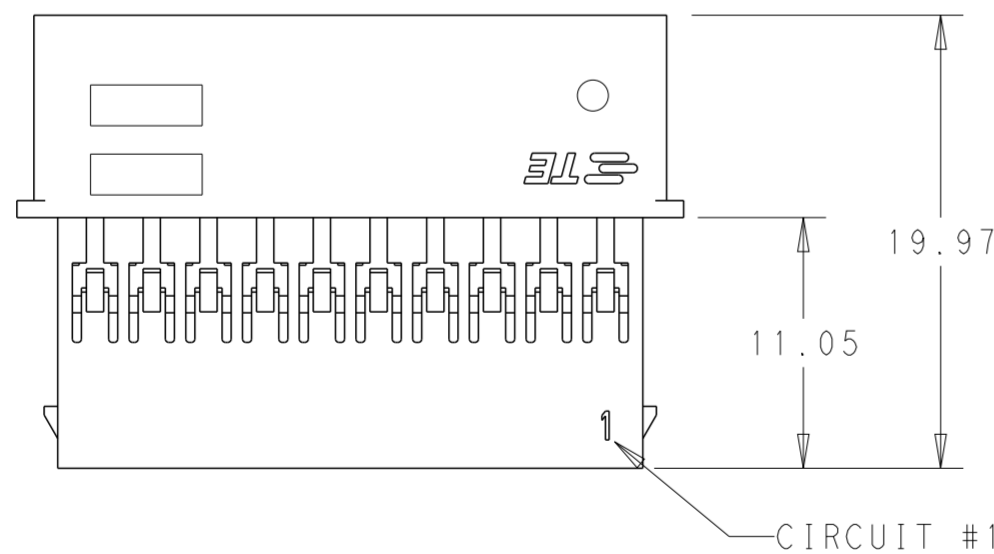
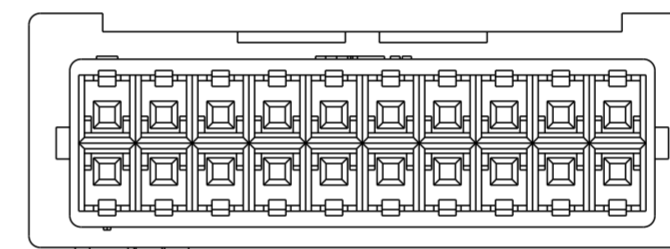
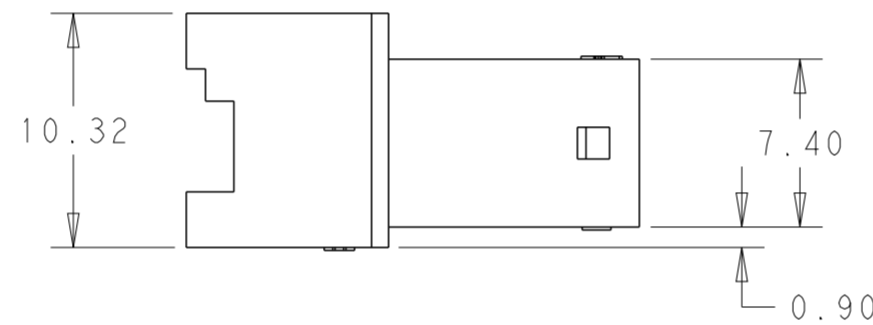
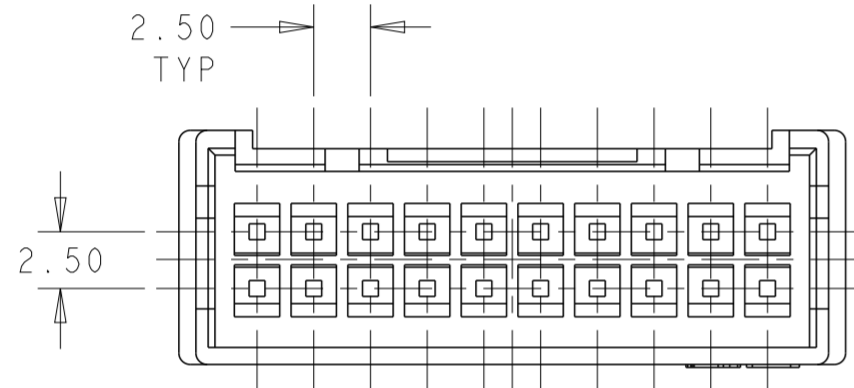


1969592-8 & 1-1969592-0
SINGLE LATCH W/O CUTOUTS



1-1969592-2, 1-1969592-4 & 1-1969592-6
SINGLE LATCH W/ CUTOUTS

1. MATERIAL: NYLON UL94 - V0
COLOR: WHITE
2. ACCEPTS TE PIN CONTACTS
P/N'S 2238007 - ()
3. HOUSING ACCEPTS OPTIONAL TPA
P/N'S 1969541 - ()
4. MATES WITH TE PLUG HOUSINGS
P/N'S 1969540 - ()



40	52.89	50.79	4-1969592-0
38	50.39	48.29	3-1969592-8
36	47.89	45.79	3-1969592-6
34	45.39	43.29	3-1969592-4
32	42.89	40.79	3-1969592-2
30	40.39	38.29	3-1969592-0
28	37.89	35.79	2-1969592-8
26	35.39	33.29	2-1969592-6
24	32.89	30.79	2-1969592-4
22	30.39	28.29	2-1969592-2
20	27.89	25.79	2-1969592-0
18	25.39	23.29	1-1969592-8
16	22.89	20.79	1-1969592-6
14	20.39	18.29	1-1969592-4
12	17.89	15.79	1-1969592-2
10	15.39	13.29	1-1969592-0
8	12.89	10.79	1969592-8
POS	DIM.B	DIM.A	PART NO.

THIS DRAWING IS A CONTROLLED DOCUMENT.

DIMENSIONS: mm	TOLERANCES UNLESS OTHERWISE SPECIFIED:	DWN A NOEL 27SEP2012	TE Connectivity EP 2.5 DUAL ROW, RECEPTACLE HSG WIRE TO WIRE
	0 PLC ±	CHK K RANDOLPH 01OCT2012	
	1 PLC ±	APVD K RANDOLPH 01OCT2012	
	2 PLC ±0.25	PRODUCT SPEC 108-2418	
	3 PLC ±	APPLICATION SPEC 114-13315	SIZE A200779
	4 PLC ±	WEIGHT -	DRAWING NO C-1969592
MATERIAL SEE NOTES	FINISH SEE NOTES	Customer Drawing	RESTRICTED TO -
		SCALE 3:1	SHEET 1 OF 1
			REV B

单击下面可查看定价，库存，交付和生命周期等信息

[>>TE Connectivity\(泰科\)](#)