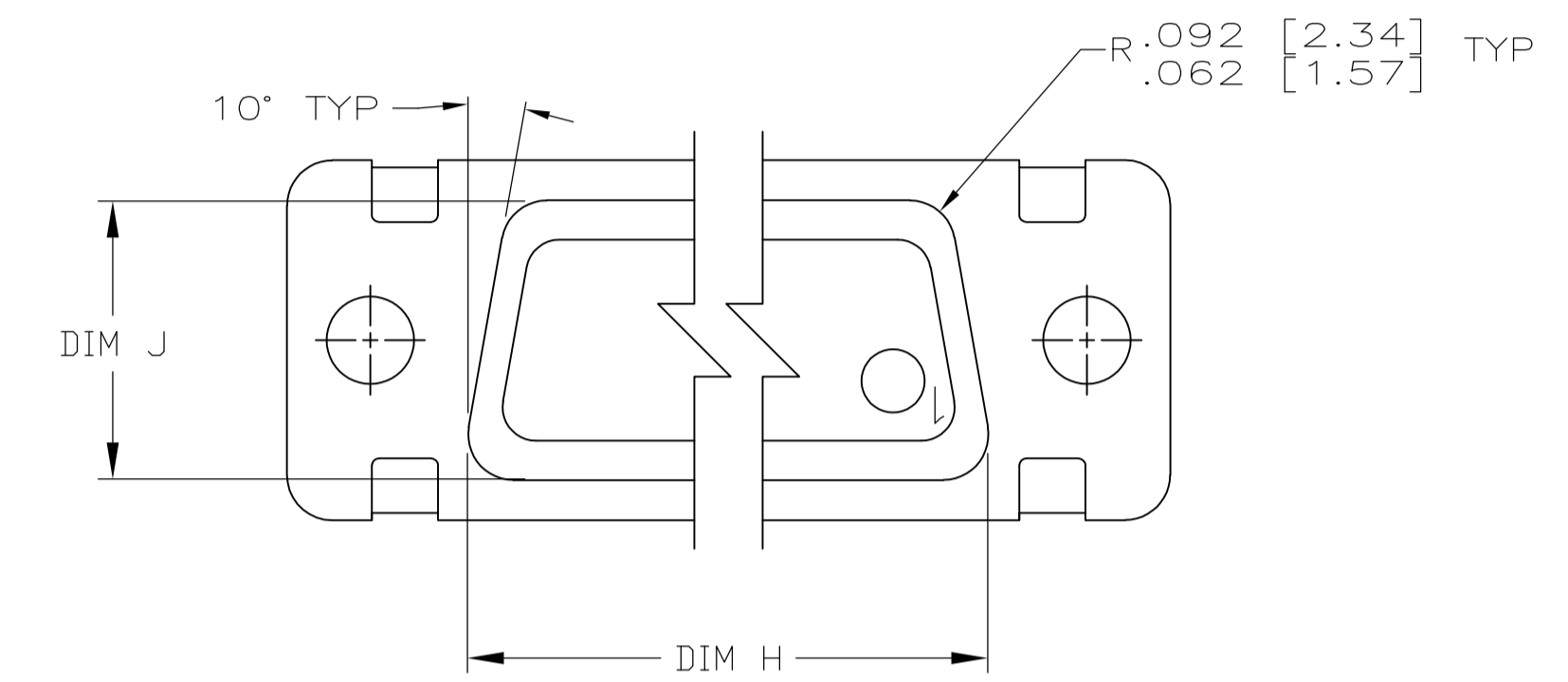
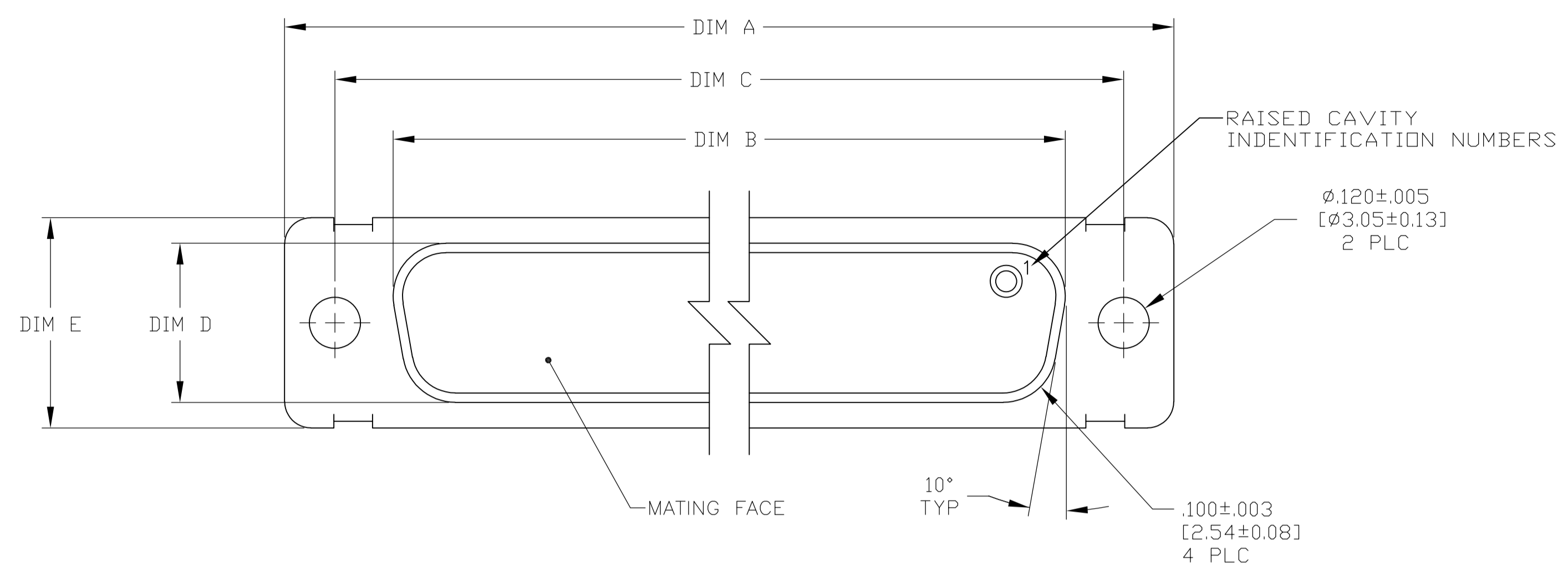
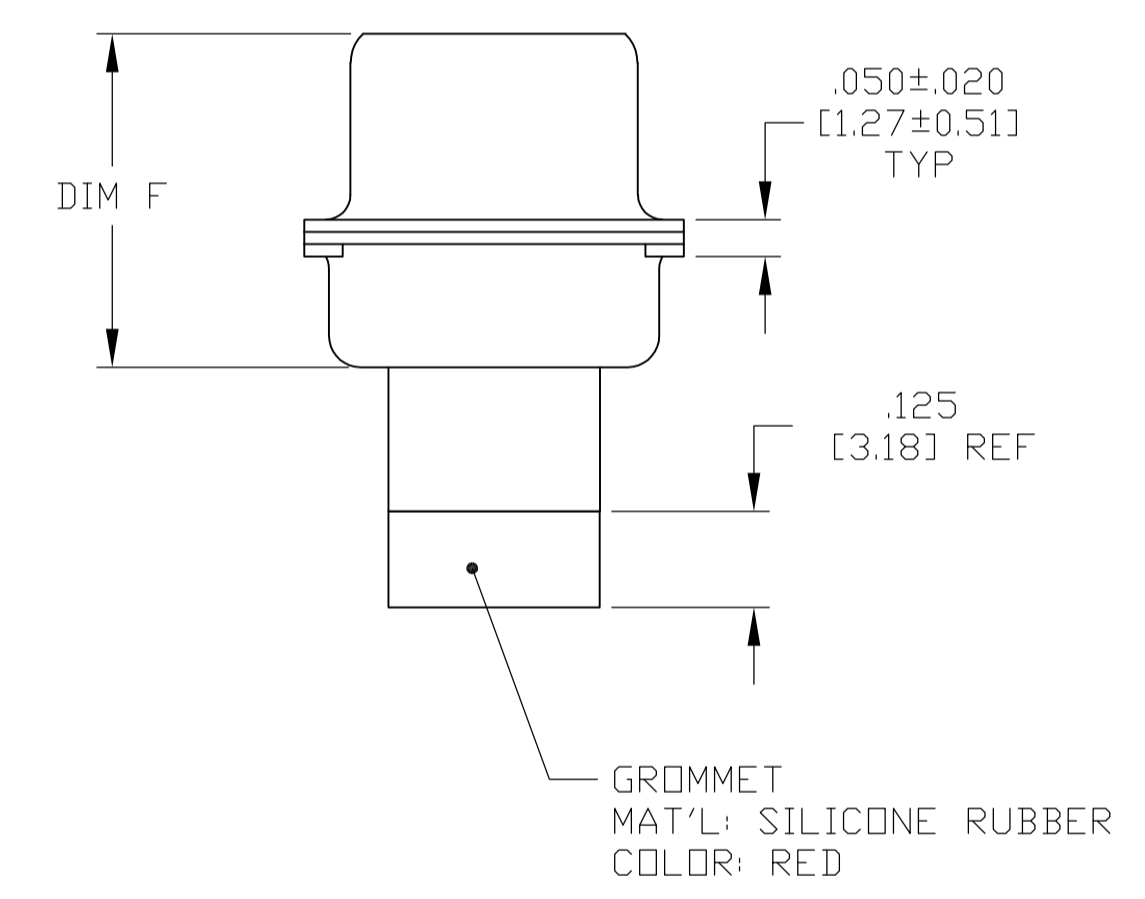
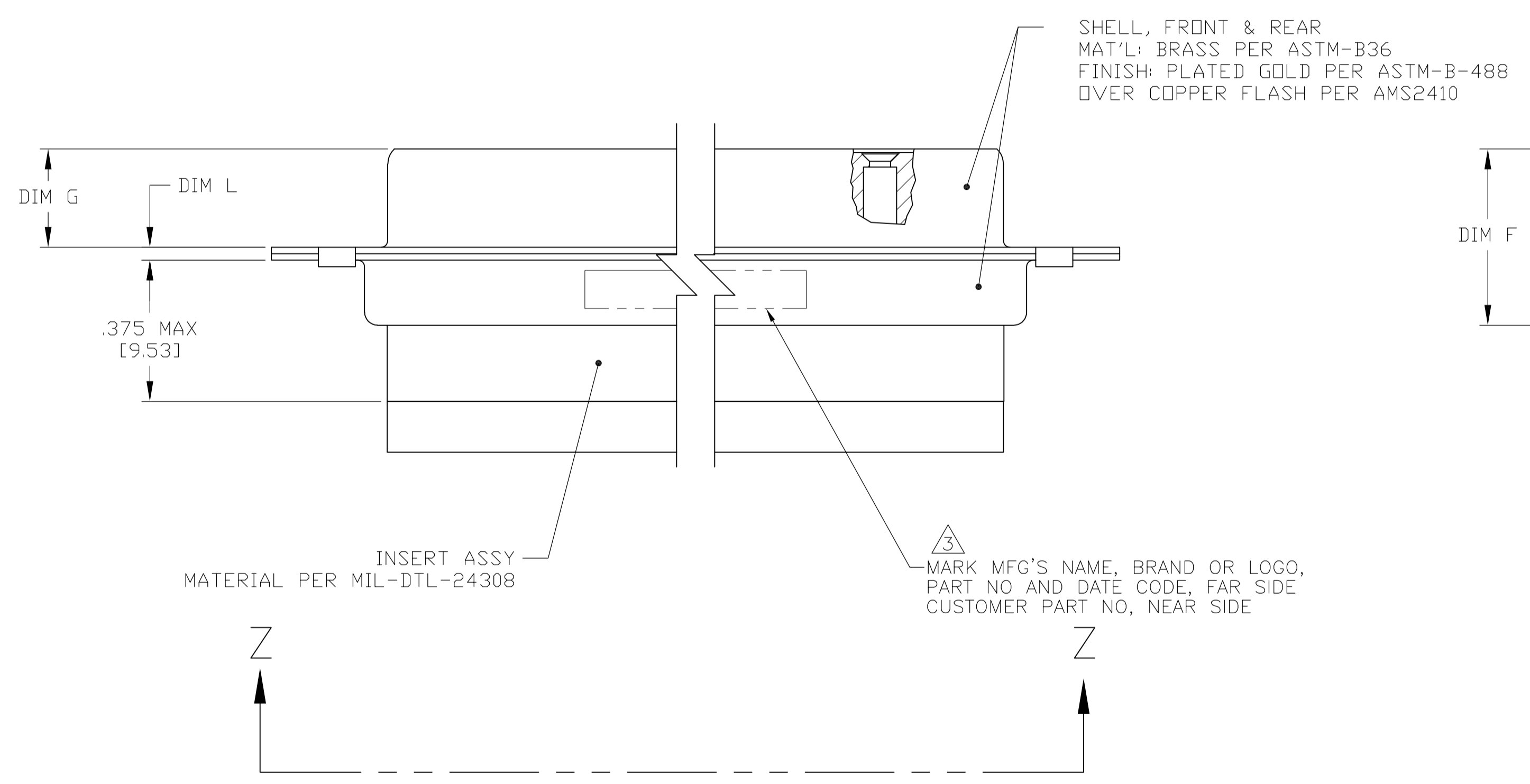


| LOC | | DIST | | REVISIONS | | | |
|-----|-------------|-------------|---------|-----------|------|--|--|
| P | LTR | DESCRIPTION | DATE | DMN | APVD | | |
| P | REV PER ECO | 15-005916 | 5-29-15 | CT | DM | | |



VIEW Z-Z



- THIS CONNECTOR ASSEMBLY IS SUPPLIED WITH Be Cu CONTACT RETENTION CLIPS INSTALLED IN THE INSERT ASSEMBLY.
- THIS CONNECTOR ASSEMBLY MATES WITH ANY PLUG CONNECTOR WITH THE SAME INSERT ARRANGEMENT AND DIMENSIONAL REQUIREMENTS PER MIL-C-24308.
- MARKED WITH .047 [1.19]-.062 [1.57] HIGH CHARACTERS. FAR SIDE REFERS TO THE WIDE SIDE OF THE KEYSTONE. NEAR SIDE REFERS TO THE NARROW SIDE OF THE KEYSTONE.
- MAXIMUM WIRE INSULATION TO BE USED WITH THIS CONNECTOR ASSEMBLY IS .068 [1.73] DIAMETER.
- SPECIAL REQUIREMENTS PER BOEING 1A01 DOCUMENT.
- BUILT TO ORDER, NO INVENTORY OF THIS PART NUMBER IS TO BE KEPT. SINGLE LOT DATE CODE REQUIRED.

| | | | | | | | | | | | | | | | | |
|---------|------------------|-------------|----------------------------|------------------------------|--------------------------------|----------------------------|------------------------------|------------------------------|----------------------------|--------------------------------|--------------------------------|--------------------------------|--------------------|-----------|------------|-------------|
| | | 1A01-023RHW | .049 [1.24] .029 [0.74] | .432 [10.97] .412 [10.46] | 1.635 [41.53] 1.615 [41.02] | .248 [6.30] .238 [6.05] | .439 [11.15] .419 [10.64] | .509 [12.93] .479 [12.17] | .316 [8.03] .306 [7.77] | 1.857 [47.17] 1.847 [46.91] | 1.516 [38.51] 1.506 [38.25] | 2.103 [53.42] 2.073 [52.65] | MS18275-1 | 25 | 3 | 1-211635-1 |
| -- | -- | --- | .049 [1.24] .029 [0.74] | .432 [10.97] .412 [10.46] | 1.635 [41.53] 1.615 [41.02] | .248 [6.30] .238 [6.05] | .439 [11.15] .419 [10.64] | .509 [12.93] .479 [12.17] | .316 [8.03] .306 [7.77] | 1.857 [47.17] 1.847 [46.91] | 1.516 [38.51] 1.506 [38.25] | 2.103 [53.42] 2.073 [52.65] | MS18275-1 | 25 | 3 | 211635-4 |
| | | 1A01-023RHA | .049 [1.24] .029 [0.74] | .432 [10.97] .412 [10.46] | 1.635 [41.53] 1.615 [41.02] | .248 [6.30] .238 [6.05] | .439 [11.15] .419 [10.64] | .509 [12.93] .479 [12.17] | .316 [8.03] .306 [7.77] | 1.857 [47.17] 1.847 [46.91] | 1.516 [38.51] 1.506 [38.25] | 2.103 [53.42] 2.073 [52.65] | MS18275-1 | 25 | 3 | 211635-1 |
| REMARKS | CUSTOMER MARKING | | L | J | H | G | F | E | D | C | B | A | INSERT ARRANGEMENT | NO OF POS | SHELL SIZE | PART NUMBER |

THIS DRAWING IS A CONTROLLED DOCUMENT.

DIMENSIONS: INCHES
 TOLERANCES UNLESS OTHERWISE SPECIFIED:
 0 PLC ± -
 1 PLC ± -
 2 PLC ± -
 3 PLC ± .005 [0.13]
 4 PLC ± -
 ANGLES ± 1°

MATERIAL: SEE CALLOUTS
 FINISH: SEE CALLOUTS

DWG: C.C. THOMAS 3-26-07
 CHK: D. MILLER 3-27-07
 APVD: D. MILLER 3-27-07
 PRODUCT SPEC: --
 APPLICATION SPEC: --
 WEIGHT: --
 CUSTOMER DRAWING

STE TE Connectivity
 NAME: RECEPTACLE ASSEMBLY, AMPLIMITE, 25 POSITION, SIZE 3, SERIES 109, NON-MAGNETIC
 SIZE: A1
 CAGE CODE: 00779
 DRAWING NO: 211635
 RESTRICTED TO: --
 SCALE: 4:1
 SHEET: 1 OF 1
 REV: P

单击下面可查看定价，库存，交付和生命周期等信息

[>>TE Connectivity\(泰科\)](#)