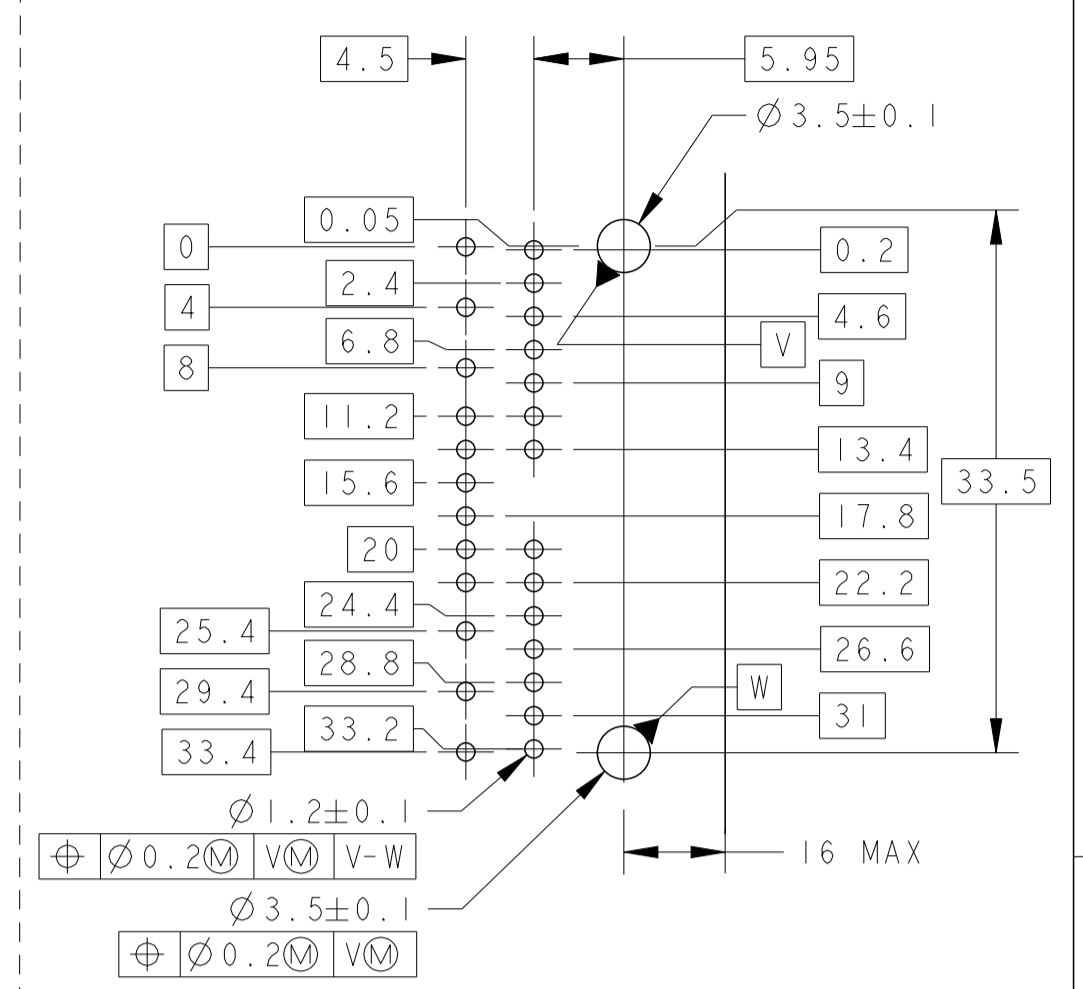
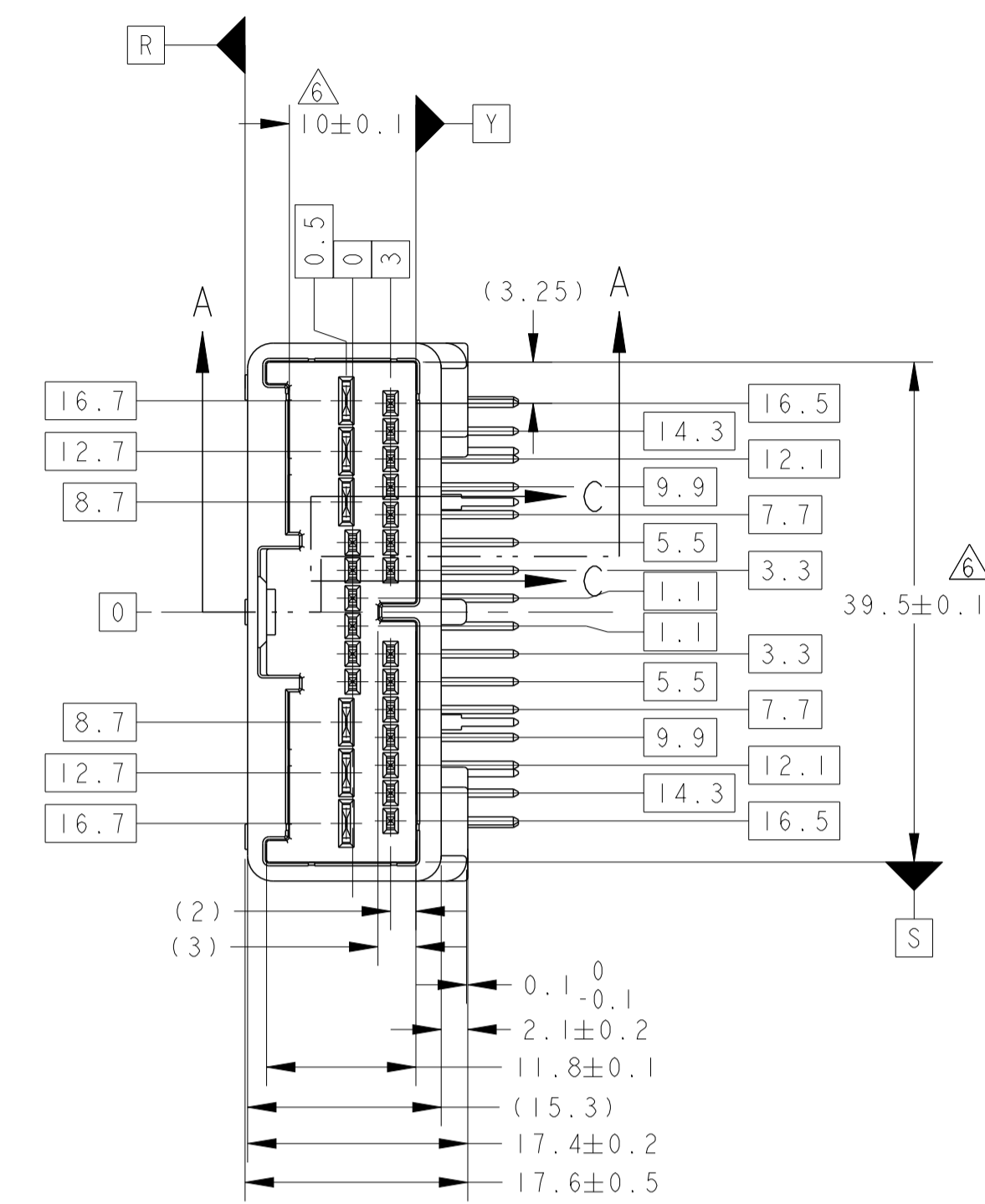
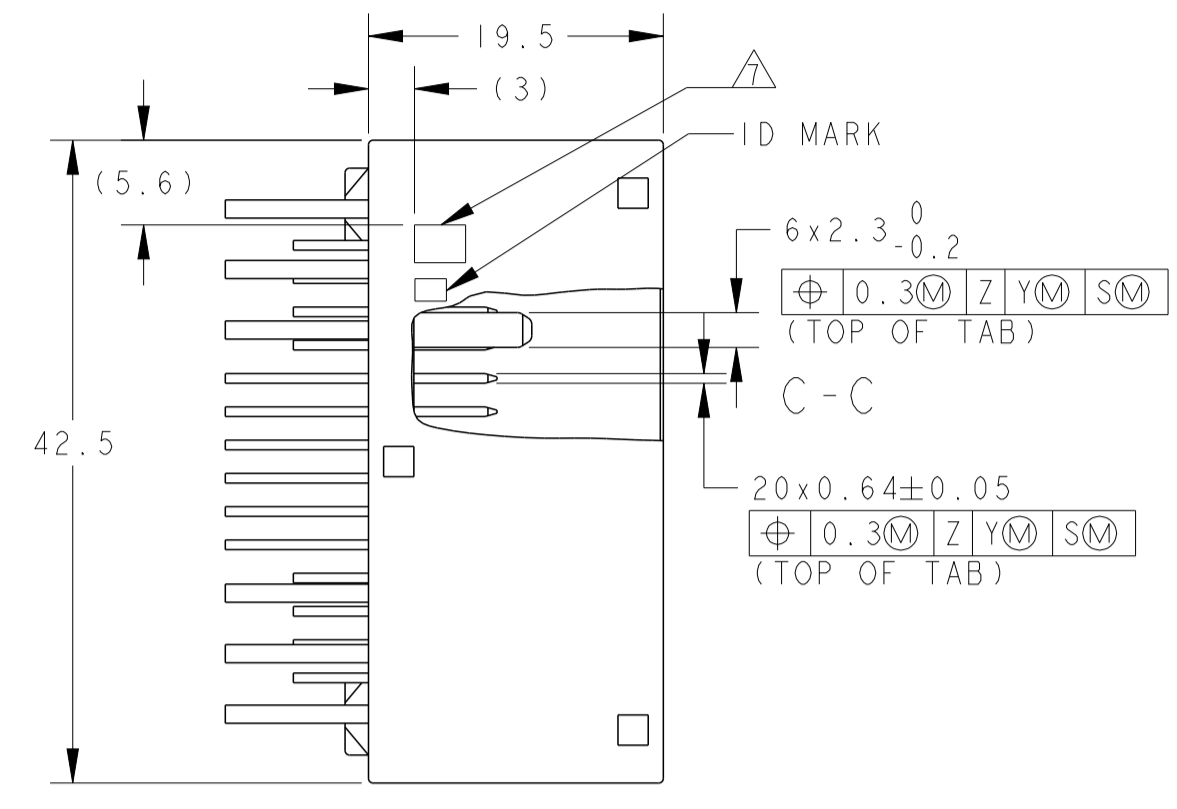
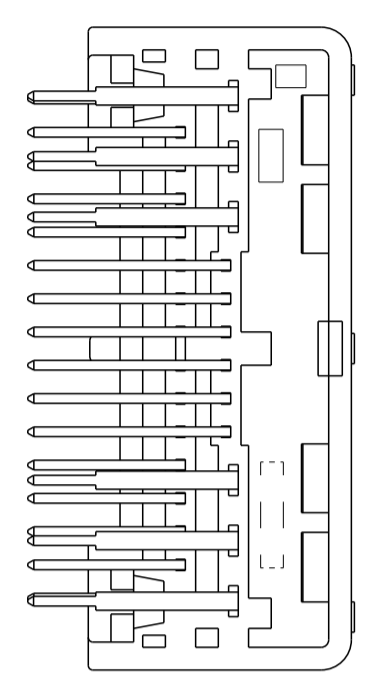
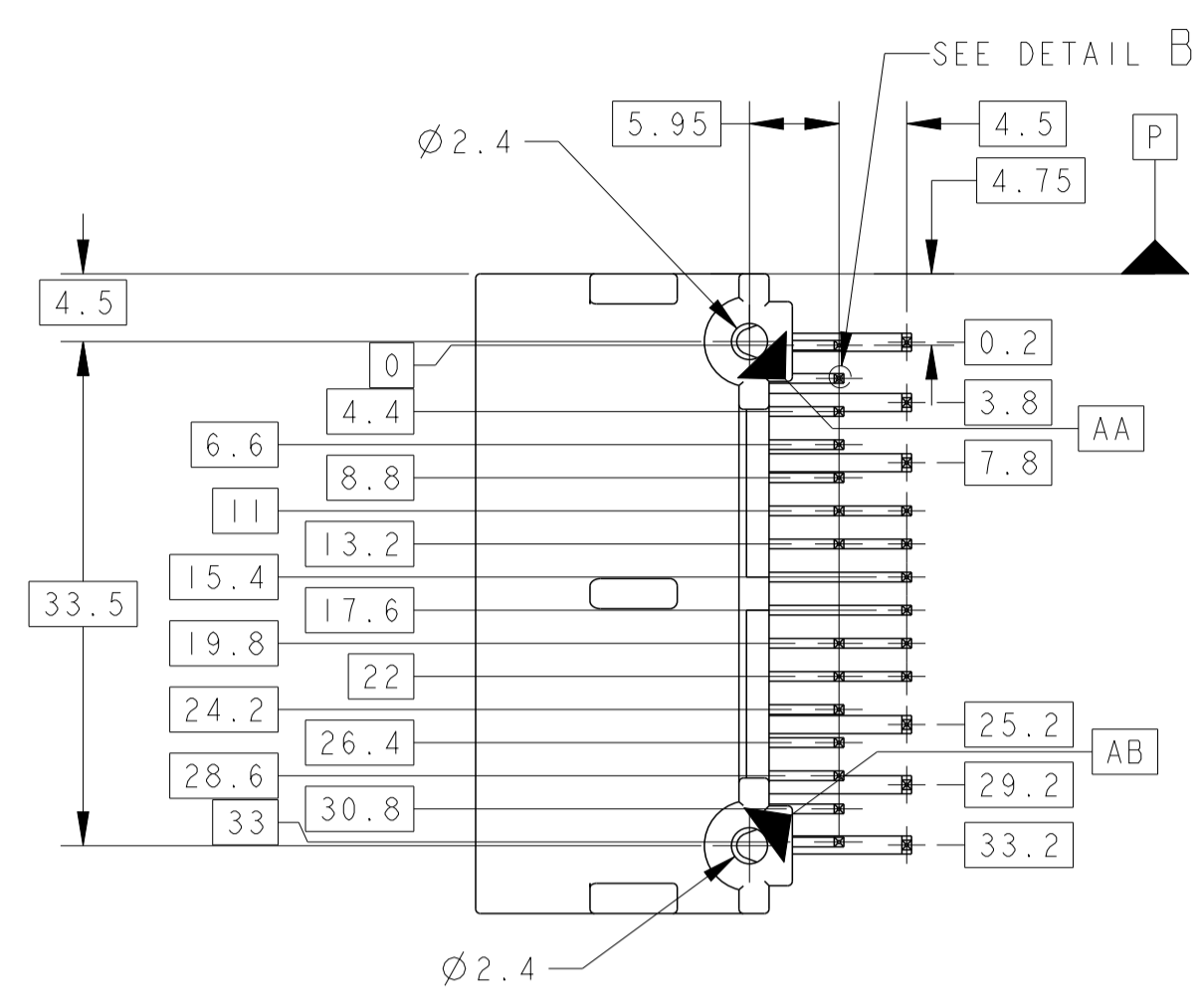
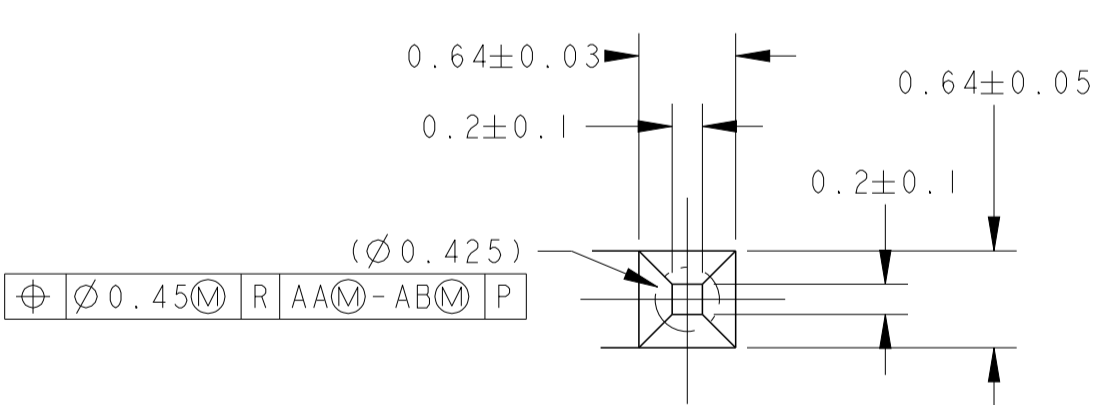
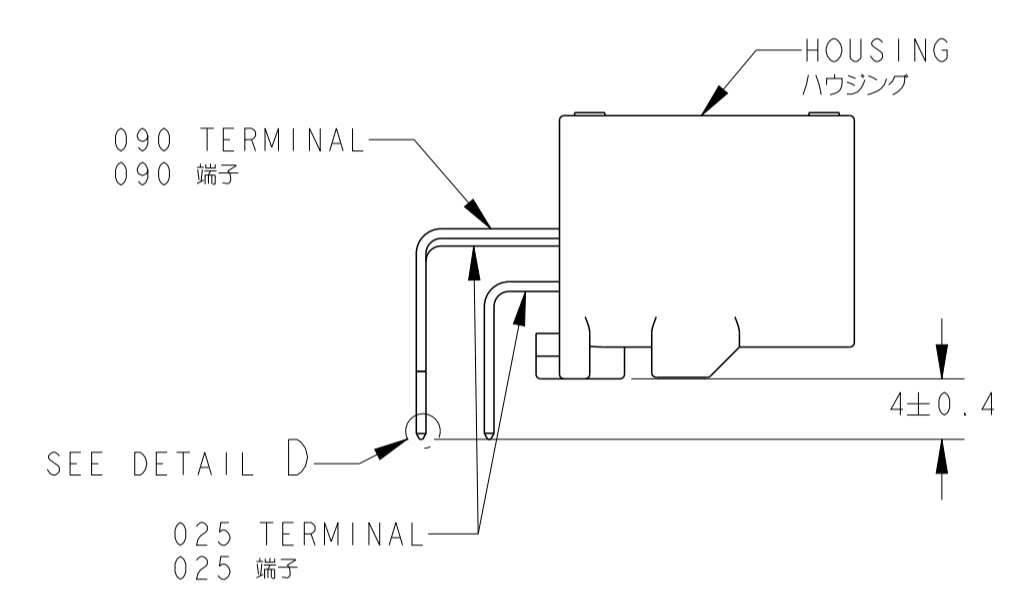
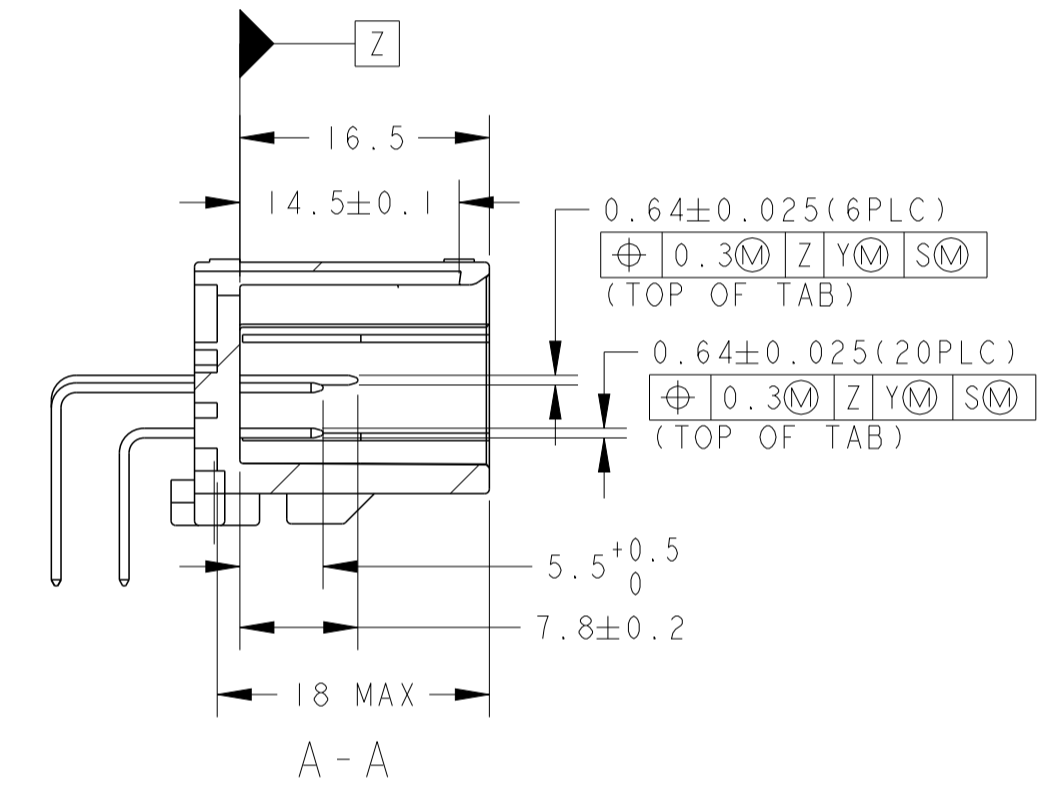


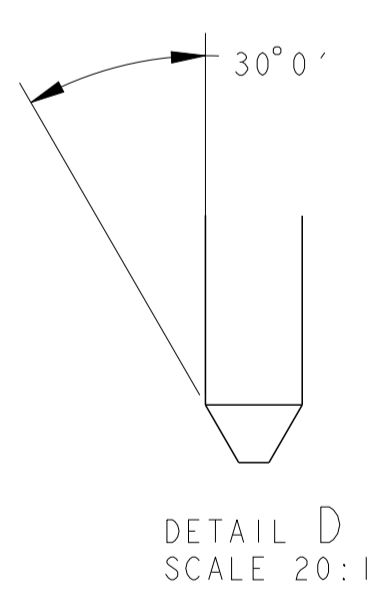
REV. LIST		REVISIONS			
NO.	DESCRIPTION	DATE	BY	CHKD.	
A1	OBSOLETE -5	ECR-07-023693	31OCT07	AY HY	
A2	ADD 1-1376357-9	ECR-13-017472	11NOV13	YS TK	
A3	ADD 2-1376357-0	ECO-16-004669	28MAR16	TM KK	
A4	REVISED	ECR-16-003774	31OCT2016	KF HY	



プリント基板取付寸法図
 DIMENSION FOR P.C. BOARD

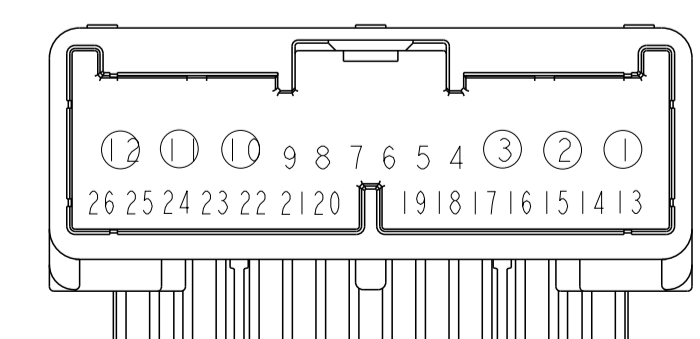


DETAIL B
 SCALE 20:1



1. 嵌合相手コネクタ品番: 1376360
- △. 回路番号: FIG. 1 参照
3. 適用ねじ: JIS B1115, B1122 タッピングねじ. なべ2種. 呼び径3. 長さはTABLE-2 参照
4. ねじ締付トルク(参考): 0.392N・m MAX. 但し. 管理値は別途規定すること
5. 本製品の取扱は取扱説明書 No. 411-5927 に従うこと
- △. [Z] より8mmの位置で測定.
- △. コンタクト仕上識別用マーク

1. MATING CONNECTOR PART NO.: 1376360
- △. CIRCUIT NUMBER: SEE FIG. 1
3. APPLICABLE SCREW: PAN-HEADED, TYPE2 TAPPING SCREW OF NOMINAL DIAMETER 3mm REFER TO JIS B1115, B1122 LENGTH: SEE TABLE-2
4. FASTENING TORQUE (FOR REFERENCE): 0.392N・m MAX BUT TORQUE FOR OPERATION SHOULD BE PROVIDED RESPECTIVELY
5. HANDLING OF THIS PART SHOULD FOLLOW INSTRUCTION SHEET No. 411-5927
- △. MEASURED AT 8mm FROM [Z]
- △. MARKING FOR DESCERMENT OF THE CONTACT FINISH



①: パワー回路用 (FOR POWER CIRCUIT)
 △: FIG. 1 CIRCUIT NUMBERS

TABLE-1

SEE DWG 1376357-8		SEE DWG 1376357-8		SEE DWG 1376357-8		SEE DWG 1376357-8		SEE DWG 1376357-8		SEE DWG 1376357-8		SEE DWG 1376357-8		SEE DWG 1376357-8		SEE DWG 1376357-8		SEE DWG 1376357-8		SEE DWG 1376357-8	
CARTON BOX タンボ-ル箱	PLASTIC TUBE プラスチックチューブ	62	SELECTIVE-TIN (MATTE)	-	1~3 10~12	18~23	-	4~9 13~17, 24~26	NATURAL 自然色	6376357-4											
PLASTIC BOX 通い箱	PLASTIC TUBE プラスチックチューブ	62	SELECTIVE-TIN (MATTE)	-	1~3 10~12	18~23	-	4~9 13~17, 24~26	NATURAL 自然色	6376357-2											
CARTON BOX タンボ-ル箱	PLASTIC TUBE プラスチックチューブ	7	SELECTIVE-TIN (MATTE)	-	1~3 10~12	4~9 18~23	-	13~17, 24~26	NATURAL 自然色	1-1376357-6											
PLASTIC BOX 通い箱	PLASTIC TUBE プラスチックチューブ	7	SELECTIVE-TIN (MATTE)	-	1~3 10~12	4~9 18~23	-	13~17, 24~26	NATURAL 自然色	1-1376357-5											
CARTON BOX タンボ-ル箱	PLASTIC TUBE プラスチックチューブ	2	PRE-TIN TIN-LEAD	1~3 10~12	-	18~23	4~9 13~17, 24~26	-	NATURAL 自然色	1376357-4											
CARTON BOX タンボ-ル箱	PLASTIC TUBE プラスチックチューブ	1	PRE-TIN	1~3 10~12	-	-	4~9 13~26	-	NATURAL 自然色	1376357-3											
PLASTIC BOX 通い箱	PLASTIC TUBE プラスチックチューブ	1	PRE-TIN	1~3 10~12	-	-	4~9 13~26	-	NATURAL 自然色	1376357-1											
OUTER 分装	INNER 内装																				
PACKING STYLE 梱包形態		MARKING マーキング		SOLDERING SIDE 半田付け側		CONTACT SIDE 接触面側		CONTACT FINISH 端子仕上げ		COLOR 色		PART NUMBER 型番									
				PRE-TIN		SELECTIVE-TIN		SELECTIVE GOLD		PRE-TIN		SELECTIVE-TIN									
				△ 09011 TAB POWER		△ 025 TAB SIGNAL															

THIS DRAWING IS A CONTROLLED DOCUMENT. DWN R. NAGAI 14OCT2000
 CHK T. HAYASHI 14OCT2000
 APVD N. SAI 14OCT2000

DIMENSIONS: 単位: mm TOLERANCES UNLESS OTHERWISE SPECIFIED: 公差: ±0.3

0-PLC	±0.3	PRODUCT SPEC	108-5667
1-PLC	±0.3	APPLICATION SPEC	114-5250
2-PLC	±0.3		
3-PLC	±0.3		
4-PLC	±0.0001		

MATERIAL: PBT:BRASS FINISH: SEE TABLE-1 WEIGHT: 9.93 g

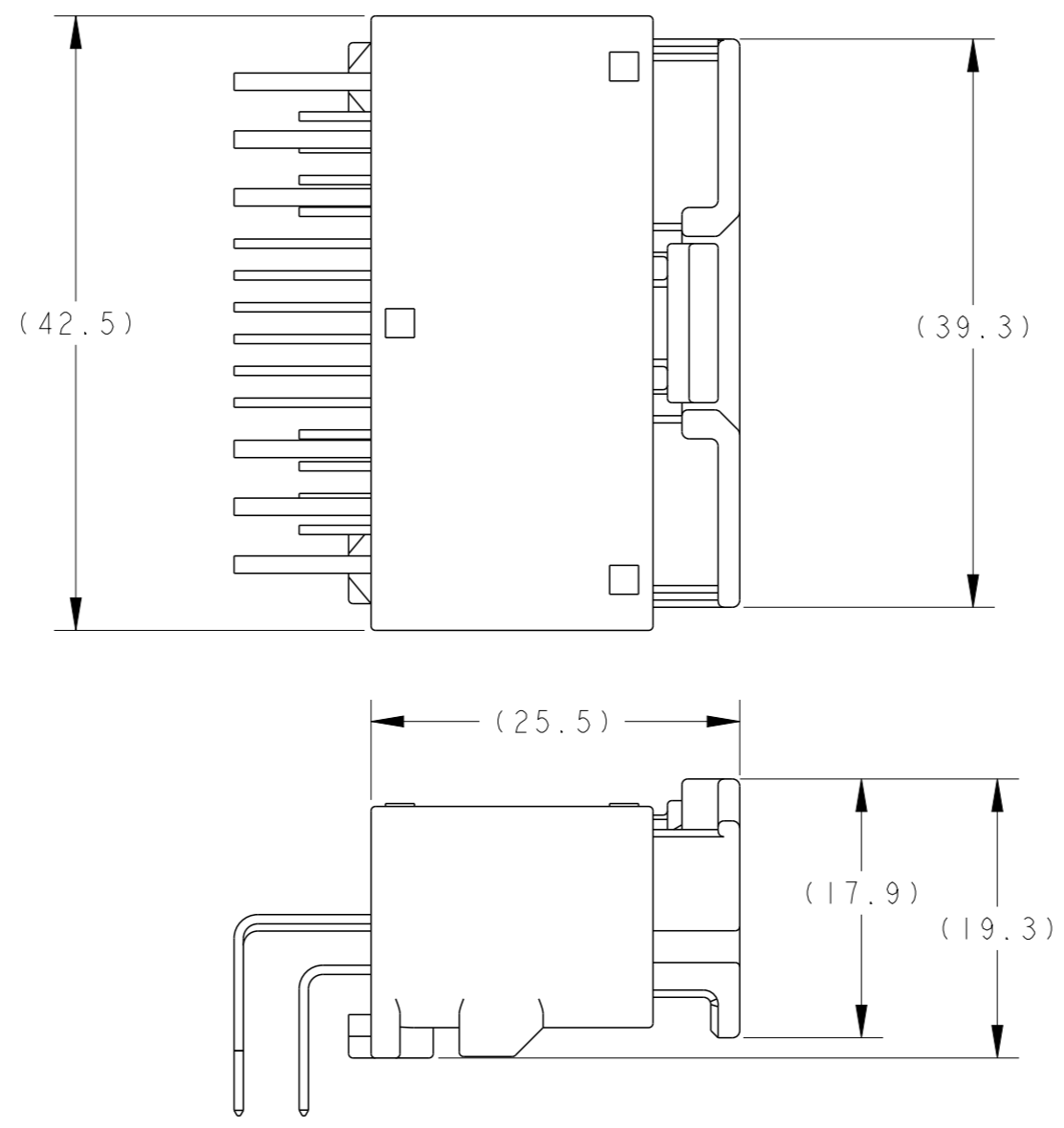
SIZE: A1 CAGE CODE: 00779 DRAWING NO: 1376357 SHEET 1 OF 2 REV: A4

TE Connectivity
 025/090 SERIES CONNECTOR
 26POSITION CAP HOUSING ASSEMBLY


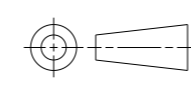
THIS DRAWING IS UNPUBLISHED. RELEASED FOR PUBLICATION NOV. 2013

© COPYRIGHT 2013 ALL RIGHTS RESERVED.

LOC	DIST	REVISIONS			
P	LTR	DESCRIPTION	DATE	DWN	APVD
J	—	SEE 1 OF 2			



CAP ASSEMBLY AND PLUG ASSEMBLY ENGAGEMENT DRAWING
 キャップアッセンブリー & プラグアッセンブリー 嵌合図

THIS DRAWING IS A CONTROLLED DOCUMENT.		DWN	R. NAGAI	14OCT2000	 TE Connectivity							
DIMENSIONS: mm		CHK	T. HAYASHI	14OCT2000								
		APVD	N. SAI	14OCT2000								
TOLERANCES UNLESS OTHERWISE SPECIFIED: 一般公差 = ± 0.3		PRODUCT SPEC	SEE 1 OF 2									
0-PLC ± 1-PLC ±0.1 2-PLC ±0.01 3-PLC ±0.001 4-PLC ±0.000J ANGLES ±3'00"		APPLICATION SPEC	SEE 1 OF 2		NAME	025/090 SERIES CONNECTOR 26POSITION CAP HOUSING ASSEMBLY						
MATERIAL SEE 1 OF 2		FINISH	SEE 1 OF 2		SIZE	A3	CAGE CODE	00779	DRAWING NO	G-1376357	RESTRICTED TO	—
		CUSTOMER DRAWING		SCALE	2:1		SHEET	2 OF 2		REV	A4	

单击下面可查看定价，库存，交付和生命周期等信息

[>>TE Connectivity\(泰科\)](#)