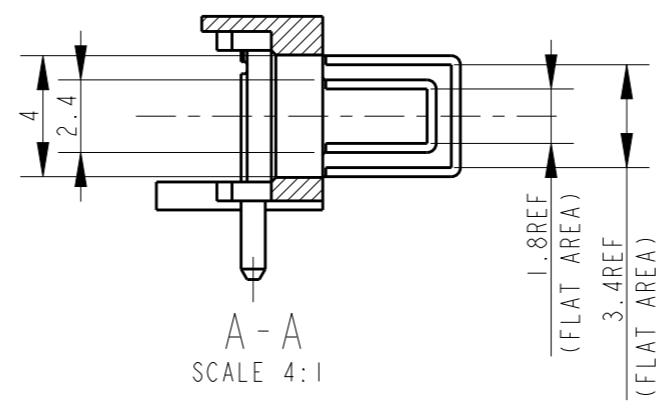
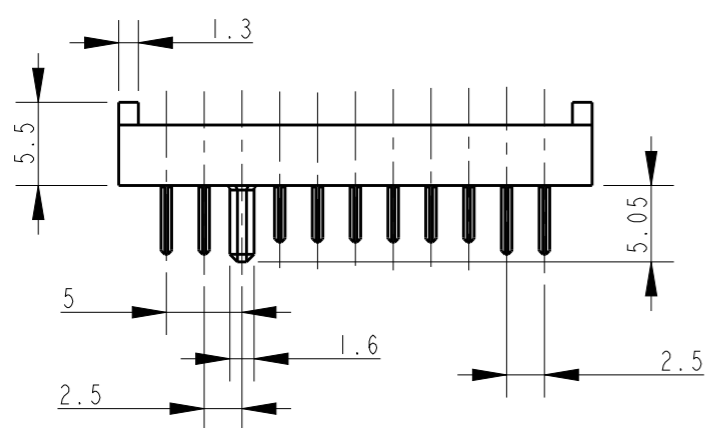
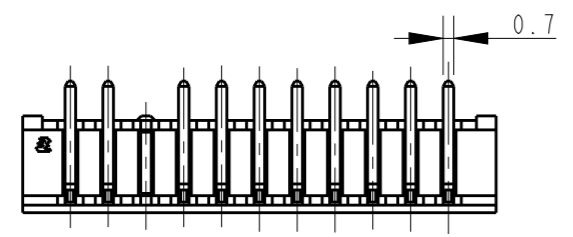


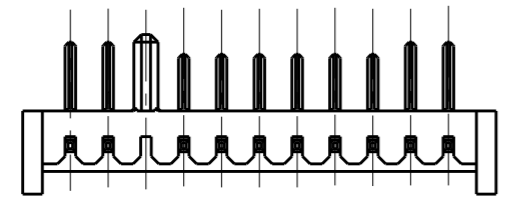
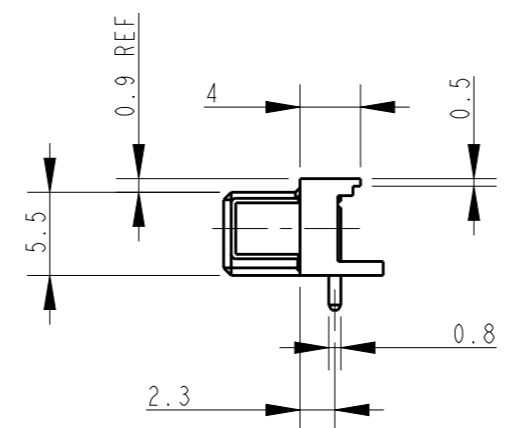
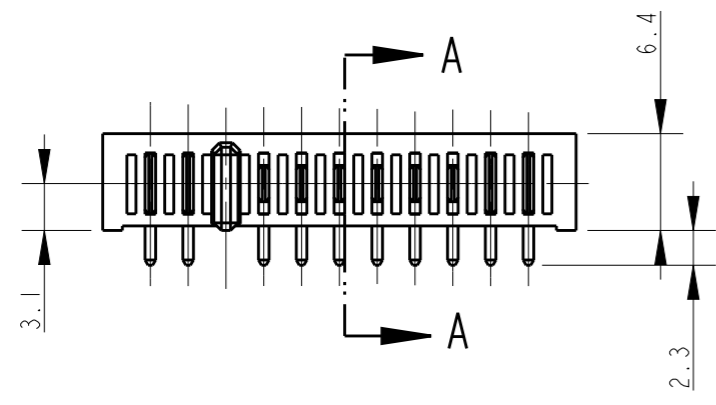
THIS DRAWING IS UNPUBLISHED. RELEASED FOR PUBLICATION 20
 © COPYRIGHT 20 BY TYCO ELECTRONICS CORPORATION. ALL RIGHTS RESERVED.

LOC	DIST	REVISIONS				
P	LTR	DESCRIPTION	DATE	DWN	APVD	
ES	00	F1	OBSOLETE PART NUMBER (ECR-14-010684)	09MAR2015	W.C	V.P

1717445-1: AS SHOWN



- 1 MATERIAL
HOUSING: THERMOPLASTIC RESIN, UL94V-0, BLACK
CONTACT: COPPER ALLOY
- 2 FINISH
CONTACT: Ni ALL OVER UNDER PL.
GOLD PL. AT CONTACT AREA
GOLD FLUSH PL. AT LEAD AREA
- 3 VIEW FROM CONNECTOR MOUNTING SIDE, PCB THK 0.8~1.2,



	8	1717445-6
	8	1717445-5
OBSOLETE	8	1717445-4
OBSOLETE	8	1717445-3
OBSOLETE	8	1717445-2
OBSOLETE	10	1717445-1

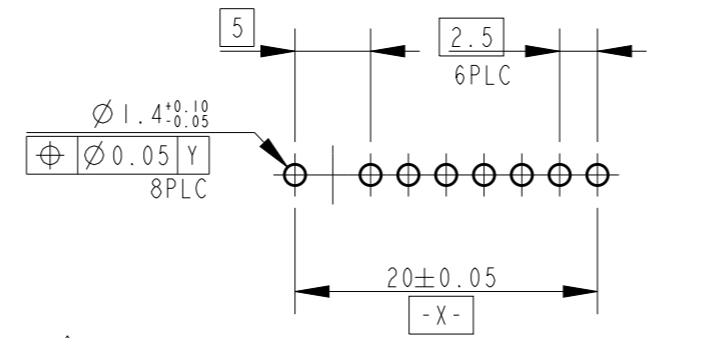
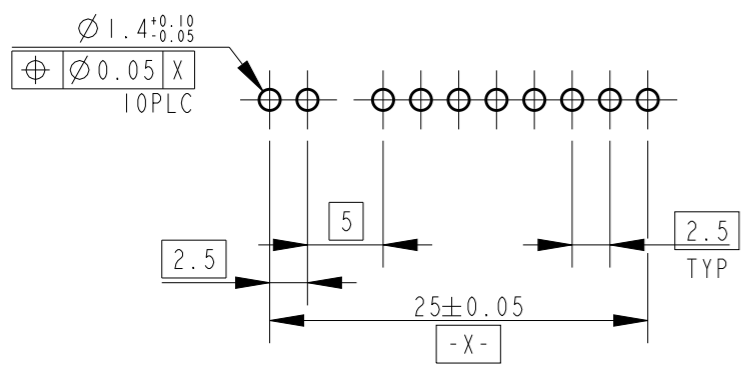
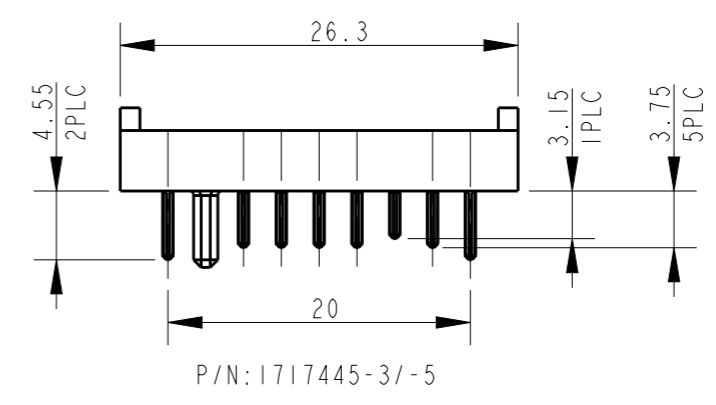
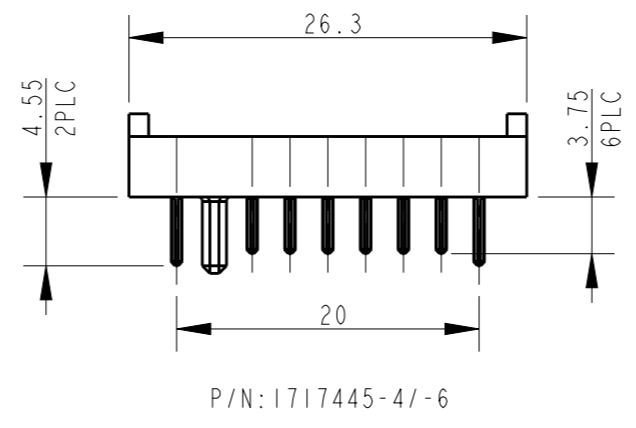
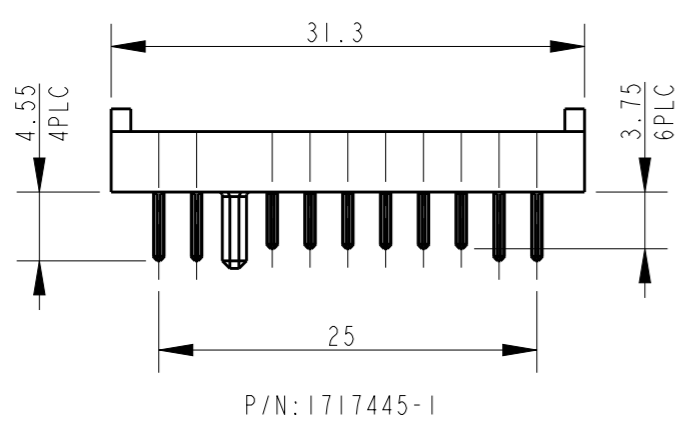
THIS DRAWING IS A CONTROLLED DOCUMENT FOR TYCO ELECTRONICS CORPORATION. IT IS SUBJECT TO CHANGE AND THE CONTROLLING ENGINEERING ORGANIZATION SHOULD BE CONTACTED FOR THE LATEST REVISION.

DIMENSIONS:	TOLERANCES UNLESS OTHERWISE SPECIFIED:
mm	± 0.3
	0 PLC ±
	1 PLC ±0.1
	2 PLC ±0.01
	3 PLC ±0.001
	4 PLC ±0.0001
	ANGLES ±3°
MATERIAL	FINISH
1	2

DWN	T. KATANO	08OCT03	Tyco Electronics Shanghai, P.R.China, 200233
CHK	T. KIMURA	08OCT03	
APVD	K. IKEGAMI	08OCT03	
PRODUCT SPEC	-	-	
APPLICATION SPEC	-	-	NAME PLUG ASSEMBLY 2.5mm PITCH BATTERY CONNECTOR
WEIGHT	-	-	SIZE A3 CAGE CODE 00779 DRAWING NO. 1717445 RESTRICTED TO -
CUSTOMER DRAWING	SCALE 2:1	SHEET 1 OF 3	REV F1

THIS DRAWING IS UNPUBLISHED. RELEASED FOR PUBLICATION 20
 © COPYRIGHT 20 BY TYCO ELECTRONICS CORPORATION. ALL RIGHTS RESERVED.

LOC	DIST	REVISIONS			
P	LTR	DESCRIPTION	DATE	DWN	APVD
ES	00	-	SEE SHEET 1	-	-



THIS DRAWING IS A CONTROLLED DOCUMENT FOR TYCO ELECTRONICS CORPORATION
 IT IS SUBJECT TO CHANGE AND THE CONTROLLING ENGINEERING ORGANIZATION
 SHOULD BE CONTACTED FOR THE LATEST REVISION.

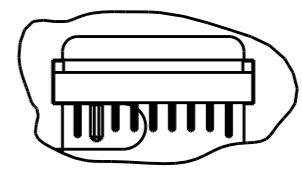
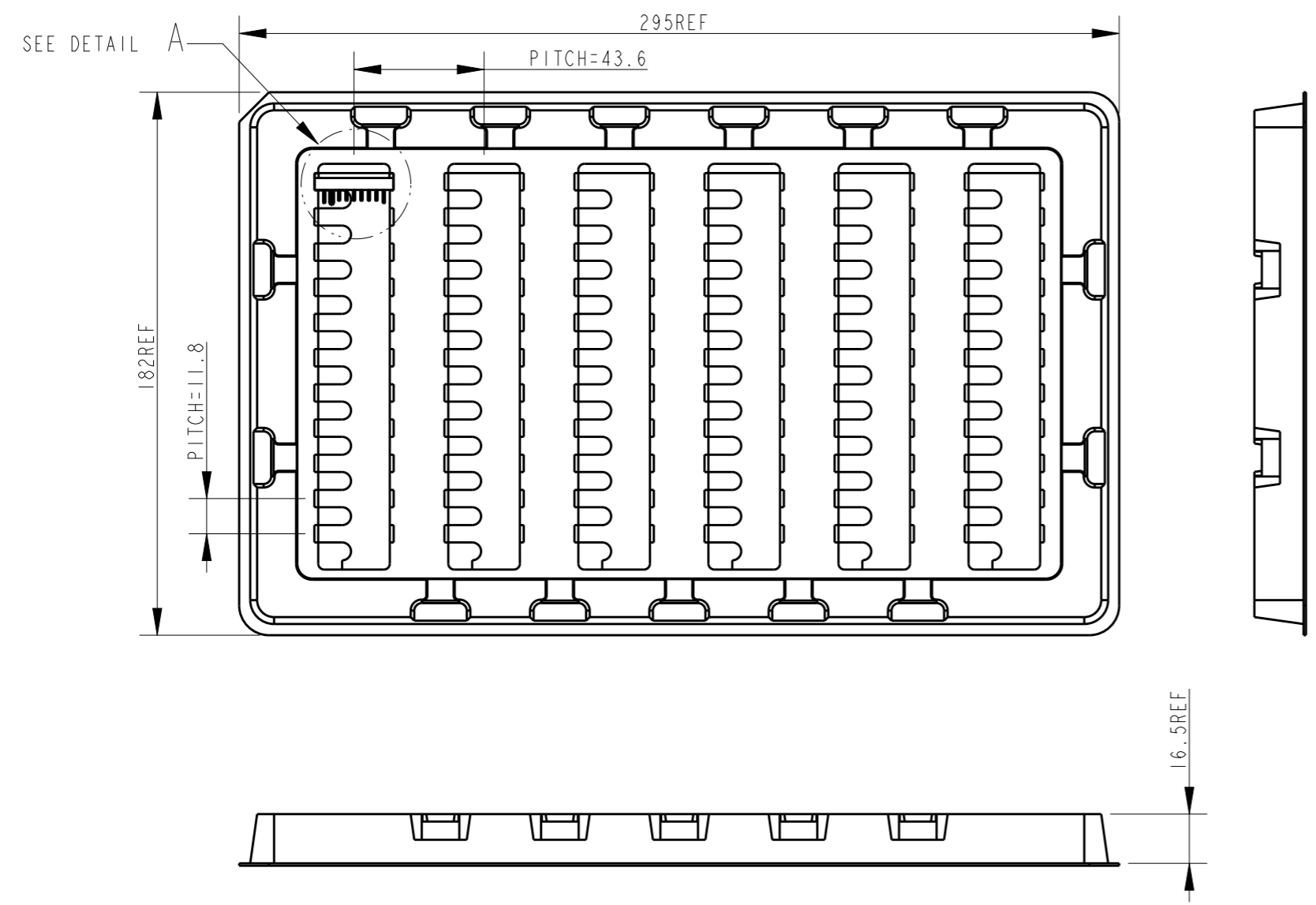
DIMENSIONS: mm	TOLERANCES UNLESS OTHERWISE SPECIFIED: ± 0.3
	0 PLC ± 0.3
	1 PLC ± 0.1
	2 PLC ± 0.01
	3 PLC ± 0.001
	4 PLC ± 0.0001
	ANGLES ± 3°
MATERIAL -	FINISH -

DWN	T. KATANO	08OCT03
CHK	T. KIMURA	08OCT03
APVD	K. IKEGAMI	08OCT03
PRODUCT SPEC	-	
APPLICATION SPEC	-	
WEIGHT	-	
CUSTOMER DRAWING		

		Tyco Electronics Shanghai, P.R.China, 200233	
NAME PLUG ASSEMBLY 2.5mm PITCH BATTERY CONNECTOR			
SIZE	CAGE CODE	DRAWING NO	RESTRICTED TO
A3	00779	1717445	-
SCALE 2:1		SHEET 2 OF 3	REV F1

THIS DRAWING IS UNPUBLISHED. RELEASED FOR PUBLICATION 20
 © COPYRIGHT 20 BY TYCO ELECTRONICS CORPORATION. ALL RIGHTS RESERVED.

LOC	DIST	REVISIONS			
P	LTR	DESCRIPTION	DATE	DWN	APVD
		SEE SHEET 1	-	-	-



DETAIL A
SCALE 1:1

PACKAGE MATERIAL FOR 1717445-3/1717445-4/1717445-5/1717445-6
66PCS/TRAY

<small>THIS DRAWING IS A CONTROLLED DOCUMENT FOR TYCO ELECTRONICS CORPORATION IT IS SUBJECT TO CHANGE AND THE CONTROLLING ENGINEERING ORGANIZATION SHOULD BE CONTACTED FOR THE LATEST REVISION.</small>		DWN T. KATANO 08OCT03	Tyco Electronics Shanghai, P.R.China, 200233		
DIMENSIONS: mm		CHK T. KIMURA 08OCT03			
		APVD K. IKEGAMI 08OCT03	NAME PLUG ASSEMBLY 2.5mm PITCH BATTERY CONNECTOR		
TOLERANCES UNLESS OTHERWISE SPECIFIED: ± 0.5 0 PLC ± 1 PLC ±0.1 2 PLC ±0.01 3 PLC ±0.001 4 PLC ±0.0001 ANGLES ±3°		PRODUCT SPEC -	RESTRICTED TO -		
MATERIAL -		APPLICATION SPEC -	SIZE A3	CAGE CODE 00779	DRAWING NO G-1717445
FINISH -		WEIGHT -	SCALE 2:1 SHEET 3 OF 3 REV F1		
CUSTOMER DRAWING					

单击下面可查看定价，库存，交付和生命周期等信息

[>>TE Connectivity\(泰科\)](#)