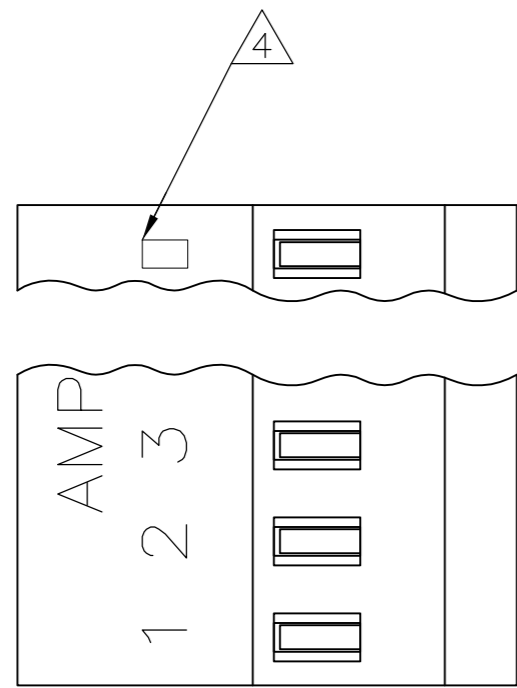
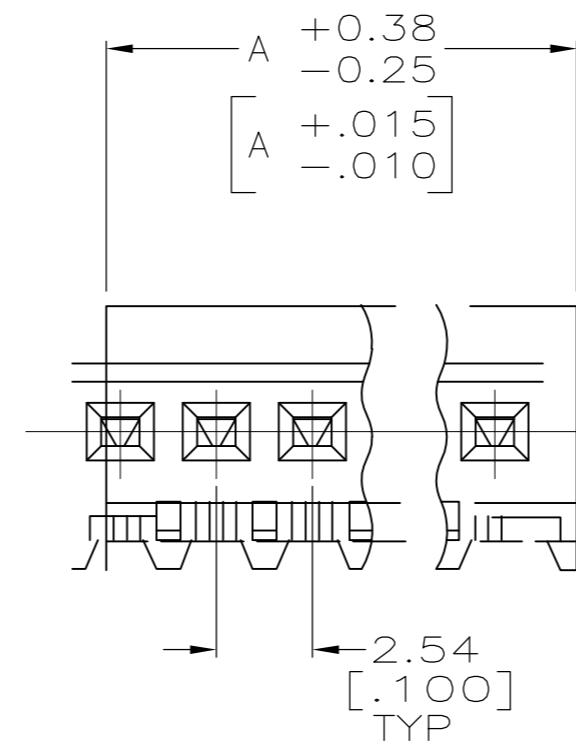
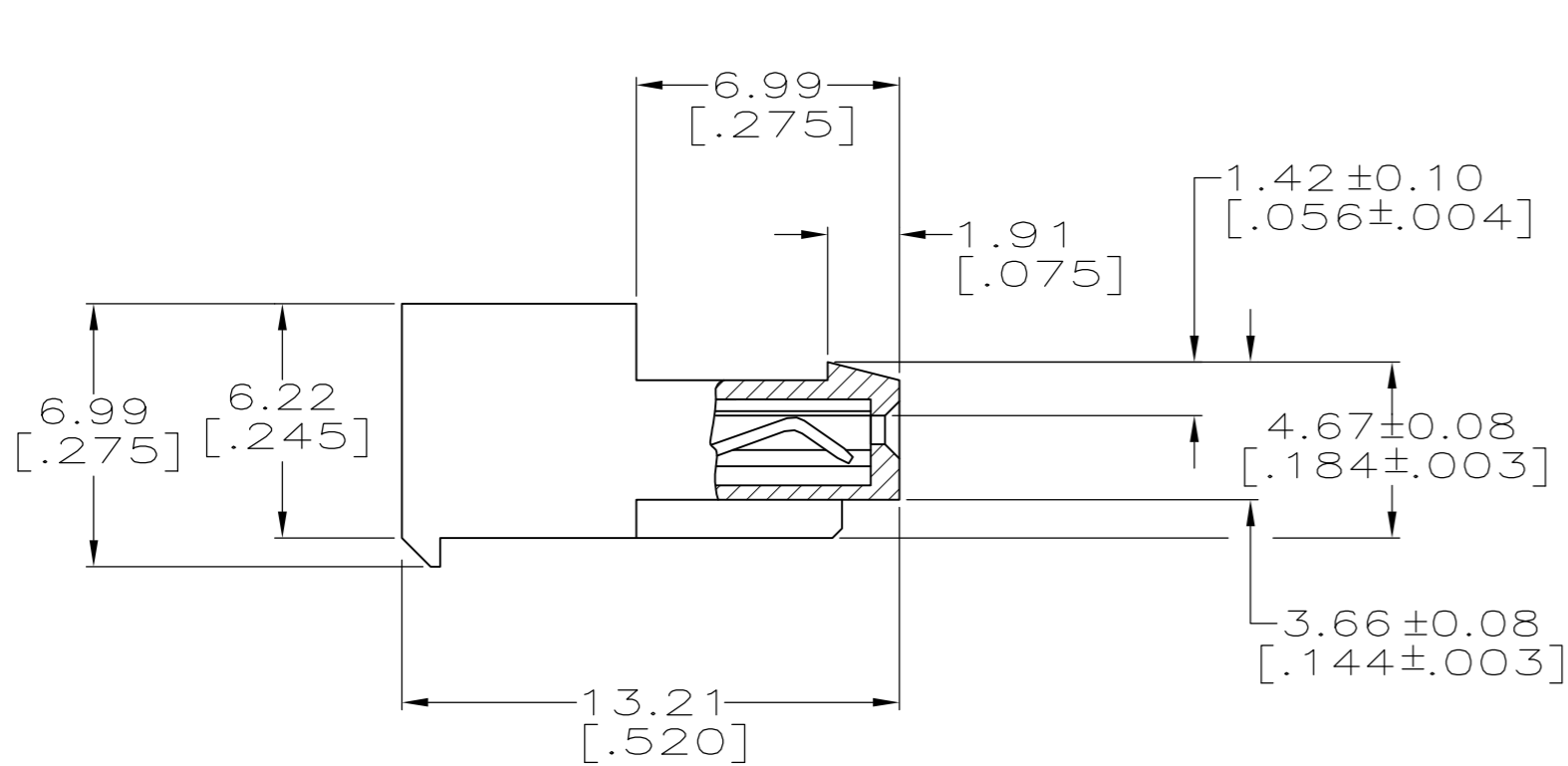


THIS DRAWING IS UNPUBLISHED. RELEASED FOR PUBLICATION
 © COPYRIGHT - By - ALL RIGHTS RESERVED.

LOC	DIST	REVISIONS					
CM	00	P	LTR	DESCRIPTION	DATE	DWN	APVD
		B3		REVISED PER ECR-17-018813	08FEB2018	BDA	SG



△7 OBSOLETE PARTS: OBSOLETE CIS STREAMLINING PER D.RENAUD/D.SINISI
 △8 OBSOLETE PARTS



LEAD	LEAD	LEAD	LEAD
38.10	[1.500]	15	4-644574-5
35.56	[1.400]	14	4-644574-4
33.02	[1.300]	13	4-644574-3
30.48	[1.200]	12	4-644574-2
27.94	[1.100]	11	4-644574-1
25.40	[1.000]	10	4-644574-0
22.86	[.900]	9	3-644574-9
20.32	[.800]	8	3-644574-8
17.78	[.700]	7	3-644574-7
15.24	[.600]	6	3-644574-6
12.70	[.500]	5	3-644574-5
10.16	[.400]	4	3-644574-4
7.62	[.300]	3	3-644574-3
5.08	[.200]	2	3-644574-2

- △7 SUPSD BY 4-6445774-5
- △7 SUPSD BY 4-6445774-4
- △7 SUPSD BY 4-6445774-3
- △7 SUPSD BY 4-6445774-2
- △7 SUPSD BY 4-6445774-1
- △7 SUPSD BY 4-6445774-0
- △7 SUPSD BY 3-6445774-9
- △7 SUPSD BY 3-6445774-8
- △7 SUPSD BY 3-6445774-7
- △7 SUPSD BY 3-6445774-6
- △7 SUPSD BY 3-6445774-5
- △8 SUPSD BY 3-6445774-4
- △8 SUPSD BY 3-6445774-3
- △8 SUPSD BY 3-6445774-2

LEAD	LEAD	LEAD	LEAD
38.10	[1.500]	15	1-644574-5
35.56	[1.400]	14	1-644574-4
33.02	[1.300]	13	1-644574-3
30.48	[1.200]	12	1-644574-2
27.94	[1.100]	11	1-644574-1
25.40	[1.000]	10	1-644574-0
22.86	[.900]	9	—644574-9—
20.32	[.800]	8	—644574-8—
17.78	[.700]	7	—644574-7—
15.24	[.600]	6	—644574-6—
12.70	[.500]	5	—644574-5—
10.16	[.400]	4	—644574-4—
7.62	[.300]	3	—644574-3—
5.08	[.200]	2	—644574-2—

△ MATERIAL: CONNECTOR-NYLON UL94V-0 (BLACK).
 CONTACTS-0.30 [.012] THICK COPPER ALLOY
 BRIGHT TIN-LEAD 0.00203 [.000080] MIN THICK FOR CONTACTS
 644574-2 THRU 1-644574-5
 MATTE WHISKER MITIGATED TIN PLATE 0.00203 [.000080] MIN THICK
 OVER 0.00076 [.000030] MIN THICK NICKEL FOR CONTACTS
 3-644574-2 THRU 4-644574-5

- 2. CONTACTS ACCEPT 24 AWG WIRE WITH 1.52 [.060] MAX INSULATION DIAMETER.
- 3. CONTACTS MUST ACCEPT 0.64±0.03 [.025±.001] SQUARE POST AND REMAIN LOCKED IN POSITION.
- △ IDENTIFICATION NUMBER FOR LAST CIRCUIT MAY NOT APPEAR ON ALL ASSEMBLIES.
- 5. DIMENSIONS IN BRACKETS ARE IN INCHES.
- 6. HOUSING FEATURES ARE: CLOSED END WITH LOCKING RAMP.

DIM A	NO.OF POSN	ASSEMBLY

THIS DRAWING IS A CONTROLLED DOCUMENT.		DWN S. HOOVER 03-DEC-2004	TE Connectivity	
DIMENSIONS: mm [INCHES]		CHK D. BOSSI 03-DEC-2004		
TOLERANCES UNLESS OTHERWISE SPECIFIED:		APVD D. BOSSI 03-DEC-2004	NAME	
0 PLC ±	1 PLC ±	PRODUCT SPEC	MTA .100 CONNECTOR ASSEMBLY	
2 PLC ± 0.13 [.005]	3 PLC ±	APPLICATION SPEC	24 AWG, UL94V-0, SPECIAL	
4 PLC ±	ANGLES ±	108-1050	SIZE	CAGE CODE
MATERIAL △	FINISH △	114-1019	A2	00779
CUSTOMER DRAWING		WEIGHT	DRAWING NO	RESTRICTED TO
		SCALE 5:1	SHEET 1 OF 1	REV B3

单击下面可查看定价，库存，交付和生命周期等信息

[>>TE Connectivity\(泰科\)](#)