

4

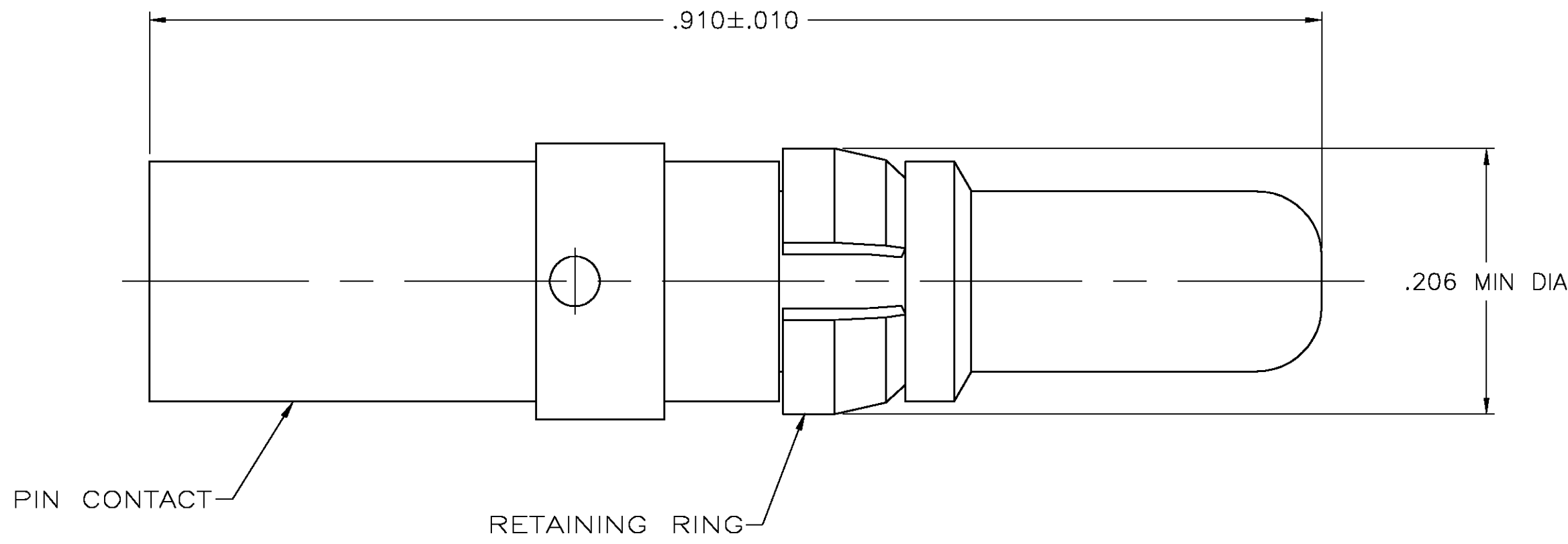
3

2

1

THIS DRAWING IS UNPUBLISHED. RELEASED FOR PUBLICATION  
 © COPYRIGHT BY TYCO ELECTRONICS CORPORATION. ALL RIGHTS RESERVED.

LOC	DIST	REVISIONS					
FT	0	P	LTR	DESCRIPTION	DATE	DWN	APVD
		D		REVISED PER 0G3B-0008-04	1/12/04	SS	GS



213740-1  
 PART NUMBER

- 1 BRASS.
- 2 PHOSPHOR BRONZE.
- 3  $0.76 \mu\text{m}$  [.000030] MIN GOLD OVER  $1.27 \mu\text{m}$  [.000050] MIN NICKEL.
- 4  $2.54 \mu\text{m}$  [.000100] MIN NICKEL.

THIS DRAWING IS A CONTROLLED DOCUMENT.		DWN	01/23/92		 Tyco Electronics Corporation Harrisburg, PA 17105
DIMENSIONS: INCHES		L.SIPE	2-7-92		
TOLERANCES UNLESS OTHERWISE SPECIFIED:		CHK	R.STONE		NAME PIN CONTACT ASSEMBLY, #10 AWG, POWER VIII, METRIMATE
0 PLC ± -		APVD	-		
1 PLC ± -		PRODUCT SPEC	108-1317		
2 PLC ± -		APPLICATION SPEC	114-10014		
3 PLC ± .005		SIZE	CAGE CODE	DRAWING NO	RESTRICTED TO
4 PLC ± -		A2	00779	C=213740	-
ANGLES ± -		WEIGHT	-		
MATERIAL	FINISH	SCALE		SHEET	OF
PIN CONTACT: 1	PIN CONTACT: 3	10:1		1	1
RETAINING RING: 2	RETAINING RING: 4	CUSTOMER DRAWING		REV	D

单击下面可查看定价，库存，交付和生命周期等信息

[>>TE Connectivity\(泰科\)](#)