

REVISIONS							
LOC	DIST	P	LTR	DESCRIPTION	DATE	DWN	APVD
-	-	A		REVISED PER ECO-09-009008	09APR2009	SS	MS

- 1. CONNECTOR MAY BE FRONT OR REAR MOUNTED TO A MAXIMUM PANEL THICKNESS OF 3.2 mm.
- 2. PANEL NUT AND PANEL GASKET ARE PACKAGED UNASSEMBLED IN POLYBAG.

USB COUPLER MATERIAL:
 HOUSING-THERMOPLASTIC
 CONTACTS-PHOSPHOR BRONZE
 SHIELD-COPPER ALLOY
 FINISH:
 CONTACTS-GOLD OVER NICKEL
 SHIELD-TIN OVER NICKEL

PANEL GASKET MATERIAL: SILICONE RUBBER, COLOR: RED/ORANGE

3.5 PANEL NUT MATERIAL: BRASS FINISH: NICKEL

RECEPTACLE HOUSING MATERIAL: POLYESTER COLOR: BLACK

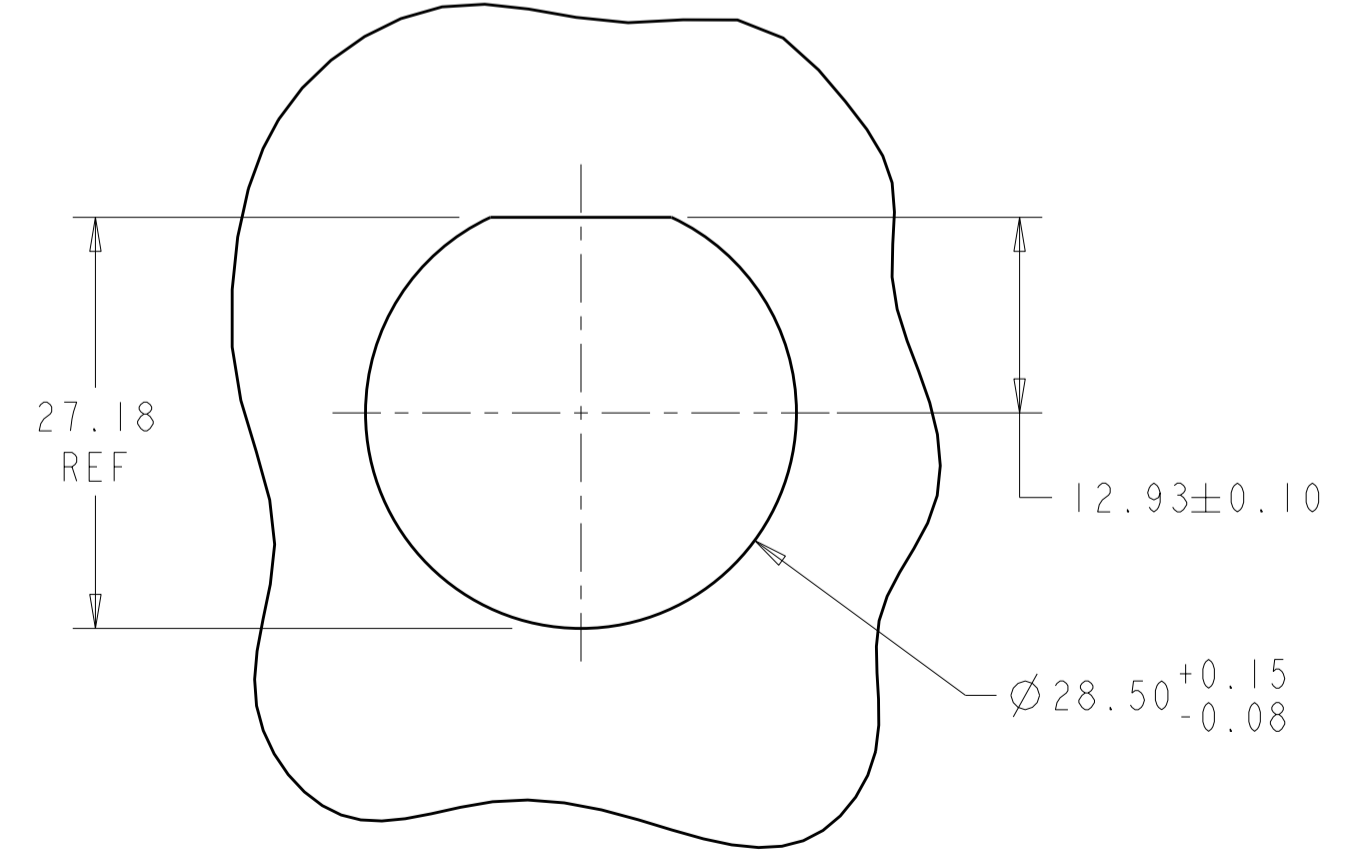
SCALE 2:1

SCALE 2:1

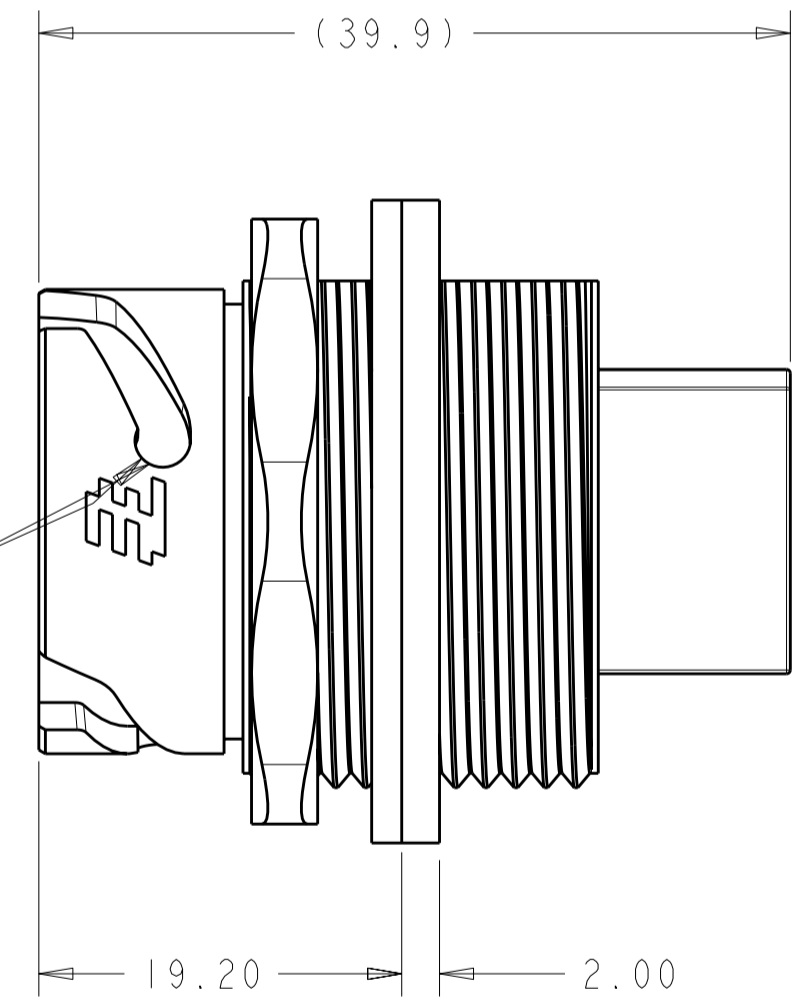
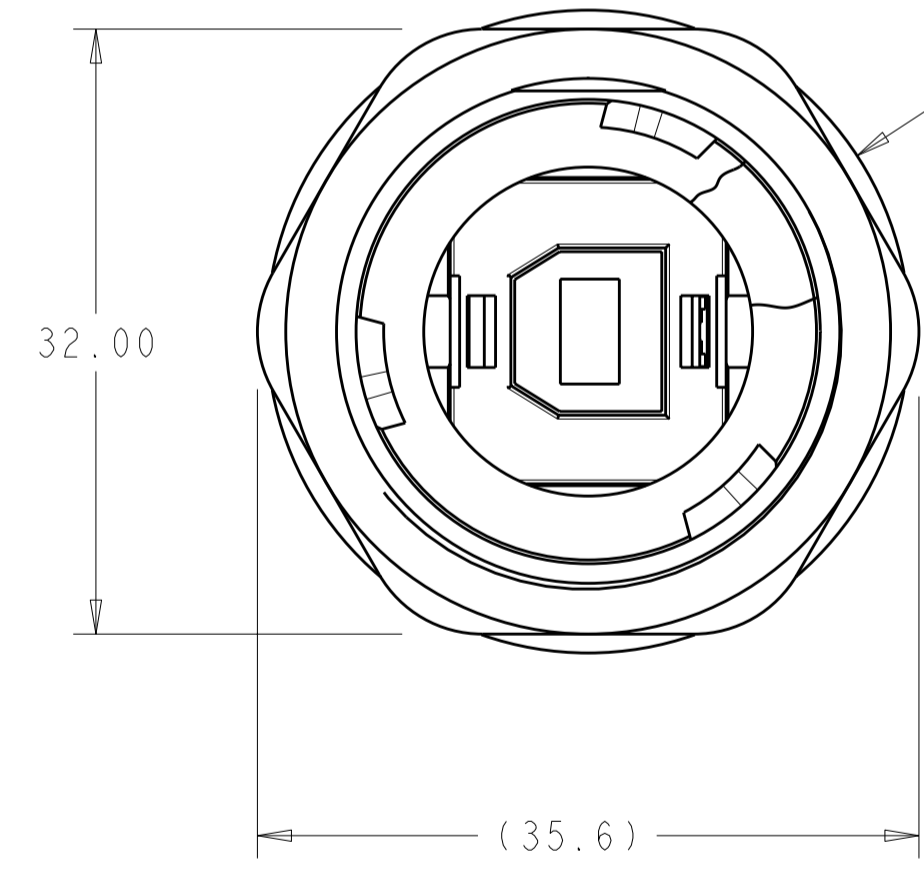
SCALE 2:1

Ø 34.0 PANEL FLANGE

BAYONET LOCK



SUGGESTED PANEL CUTOUT



1954646-1
 PART NUMBER

THIS DRAWING IS A CONTROLLED DOCUMENT FOR TYCO ELECTRONICS CORPORATION. IT IS SUBJECT TO CHANGE AND THE CONTROLLING ENGINEERING ORGANIZATION SHOULD BE CONTACTED FOR THE LATEST REVISION.		DWN RAGHU 03OCT06	Tyco Electronics Harrisburg, PA 17105-3608	
DIMENSIONS: mm		CHK J. LANDIS 03OCT06	NAME	
TOLERANCES UNLESS OTHERWISE SPECIFIED:		APVD -	RECEPTACLE KIT, SERIES B TO SERIES A CIRCULAR SEALED USB CONNECTOR	
0 PLC ±0.3	1 PLC ±0.2	PRODUCT SPEC 108-2318	SIZE A2	CAGE CODE 00779
2 PLC ±0.10	3 PLC ±	APPLICATION SPEC 114-13211	DRAWING NO. 1954646	RESTRICTED TO
4 PLC ±	ANGLES ±1°	WEIGHT -	SCALE 5:2	SHEET 1 OF 1
MATERIAL -	FINISH -	CUSTOMER DRAWING	REV A	

单击下面可查看定价，库存，交付和生命周期等信息

[>>TE Connectivity\(泰科\)](#)