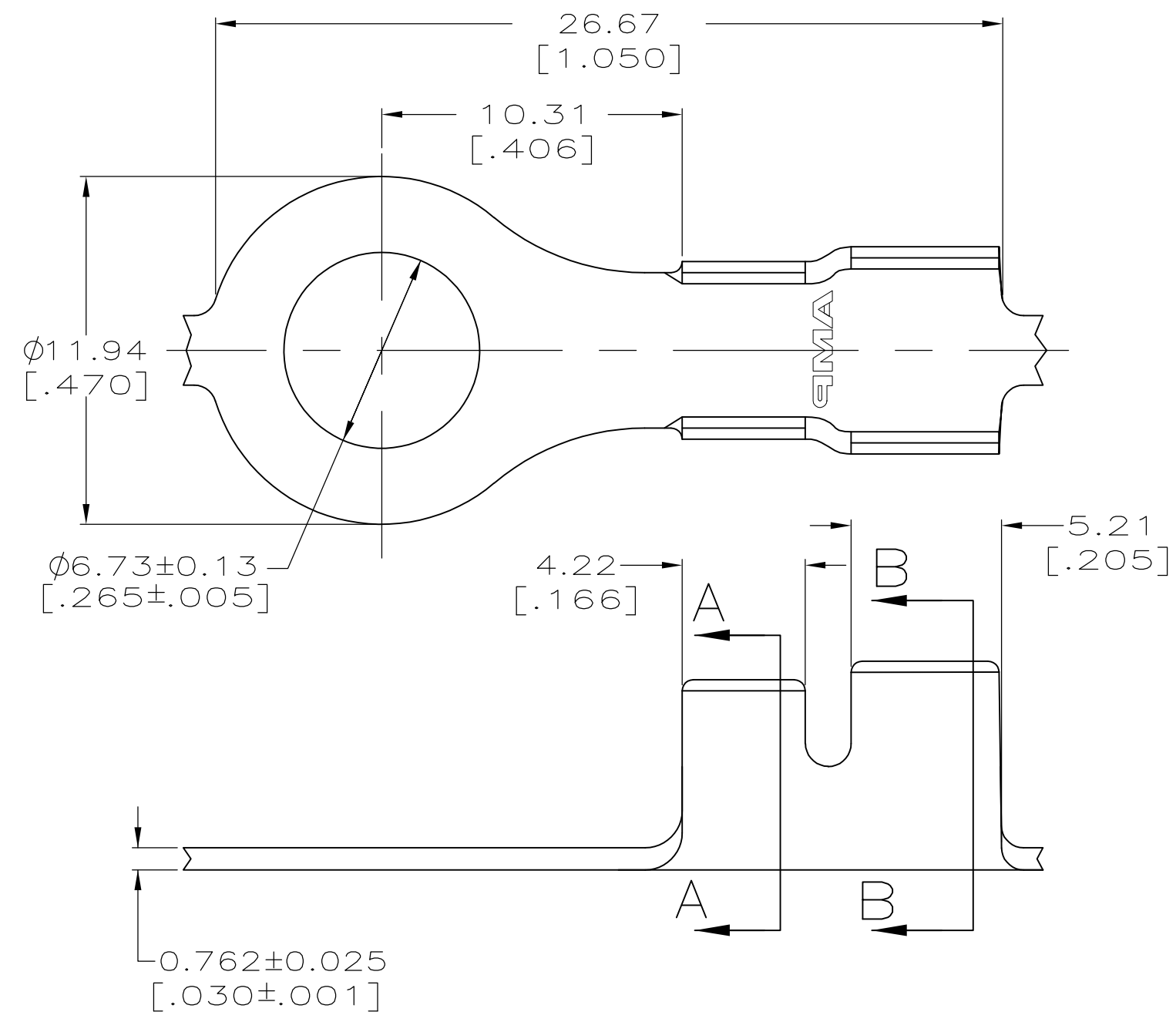
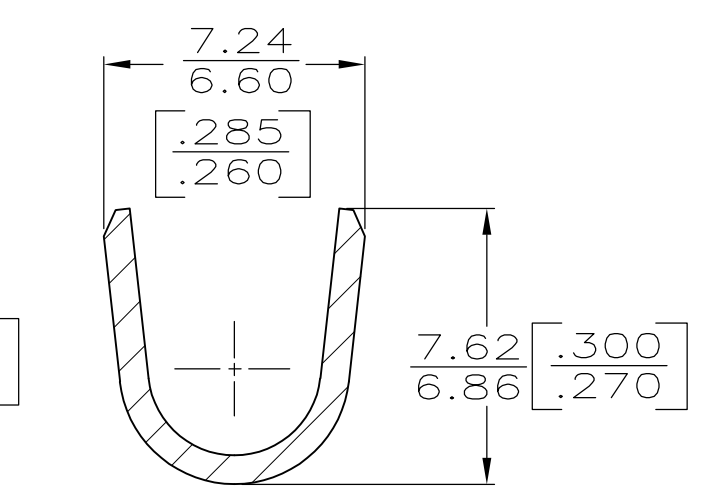
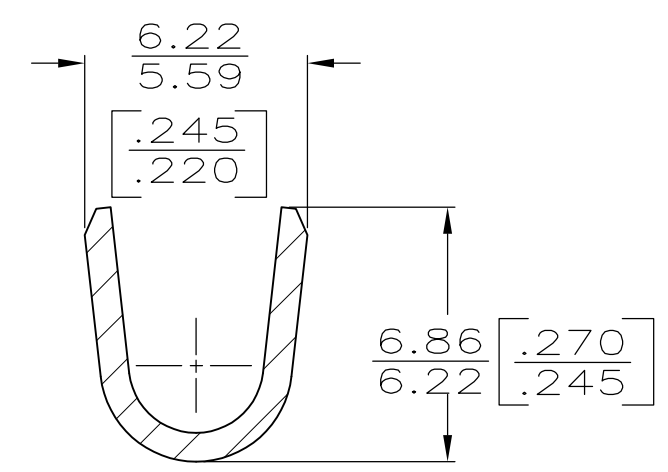


THIS DRAWING IS UNPUBLISHED. RELEASED FOR PUBLICATION  
 © COPYRIGHT BY TYCO ELECTRONICS CORPORATION. ALL INTERNATIONAL RIGHTS RESERVED.

LOC	DIST	REVISIONS			
P	LTR	DESCRIPTION	DATE	DWN	APVD
AF	50	H	REVISED PER ECR-10-006099	09JUL10	HMR PD



1. CONTINUOUS STRIP ON REEL.



SECTION A-A

SECTION B-B

3.81-5.33 [.150-.210] DIA	12-10 AWG	62691-2
INSULATION RANGE	WIRE RANGE	PART NUMBER

THIS DRAWING IS A CONTROLLED DOCUMENT.		DWN 29JAN1999 PHILLIP M FORTNEY	Tyco Electronics Corporation Harrisburg, PA 17105-3608													
DIMENSIONS: mm [INCHES]		CHK 29JAN1999 JEFF R RUTH	NAME													
TOLERANCES UNLESS OTHERWISE SPECIFIED:		APVD 29JAN1999 JEREMY DUNCAN	RING													
<table border="0"> <tr><td>0 PLC</td><td>± -</td></tr> <tr><td>1 PLC</td><td>± -</td></tr> <tr><td>2 PLC</td><td>± 0.38 [.015]</td></tr> <tr><td>3 PLC</td><td>± -</td></tr> <tr><td>4 PLC</td><td>± -</td></tr> <tr><td>ANGLES</td><td>± -</td></tr> </table>		0 PLC	± -	1 PLC	± -	2 PLC	± 0.38 [.015]	3 PLC	± -	4 PLC	± -	ANGLES	± -	PRODUCT SPEC -	SIZE	CAGE CODE
0 PLC	± -															
1 PLC	± -															
2 PLC	± 0.38 [.015]															
3 PLC	± -															
4 PLC	± -															
ANGLES	± -															
MATERIAL 081 BRASS	FINISH TIN	APPLICATION SPEC -	DRAWING NO A300779	RESTRICTED TO -												
CUSTOMER DRAWING			SCALE 5:1	SHEET 1 OF 1												
			REV H													

单击下面可查看定价，库存，交付和生命周期等信息

[>>TE Connectivity\(泰科\)](#)