

REVISIONS				
REV	DATE	DESCRIPTION	BY	APP'D
2	10/04	CONVERTED RADIAL DWG TO TYCO ACAD DWG	RF	JM
3		REVISED	RF	JM

1 SHELL: ALUMINUM ALLOY 6061 T651
 INSERT RETENTION CLIP & GROUNDING SPRING: COPPER ALLOY PER ASTM B194
 JACKNUT: STAINLESS STEEL PER AISI 316
 JACKNUT SPRING & RETAINING NUT: STAINLESS STEEL PER AISI 302
 PROTECTIVE COVER: THERMOPLASTIC ELASTOMER

2 SHELL: ELECTROLESS NICKEL PER SAE AMS-C-26074, CLASS 1.
 GROUNDING SPRING: ELECTROLYTIC NICKEL PER SAE AMS-QQ-N-290.

3 DATE CODE - YEAR & WEEK (YY WW)

4 INDEXING POINT FOR POLARIZATION

5 SHELL CAVITY FOR GPRB SERIES INSERTS WITH KEYING CODE A.

6 SHELL CAVITY FOR GPRB SERIES INSERTS WITH KEYING CODE B.

7 PROTECTIVE COVERS NOT SHOWN FOR CLARITY.

8 SCREW HEAD DIAMETER: 6.00 [.236] MAX.

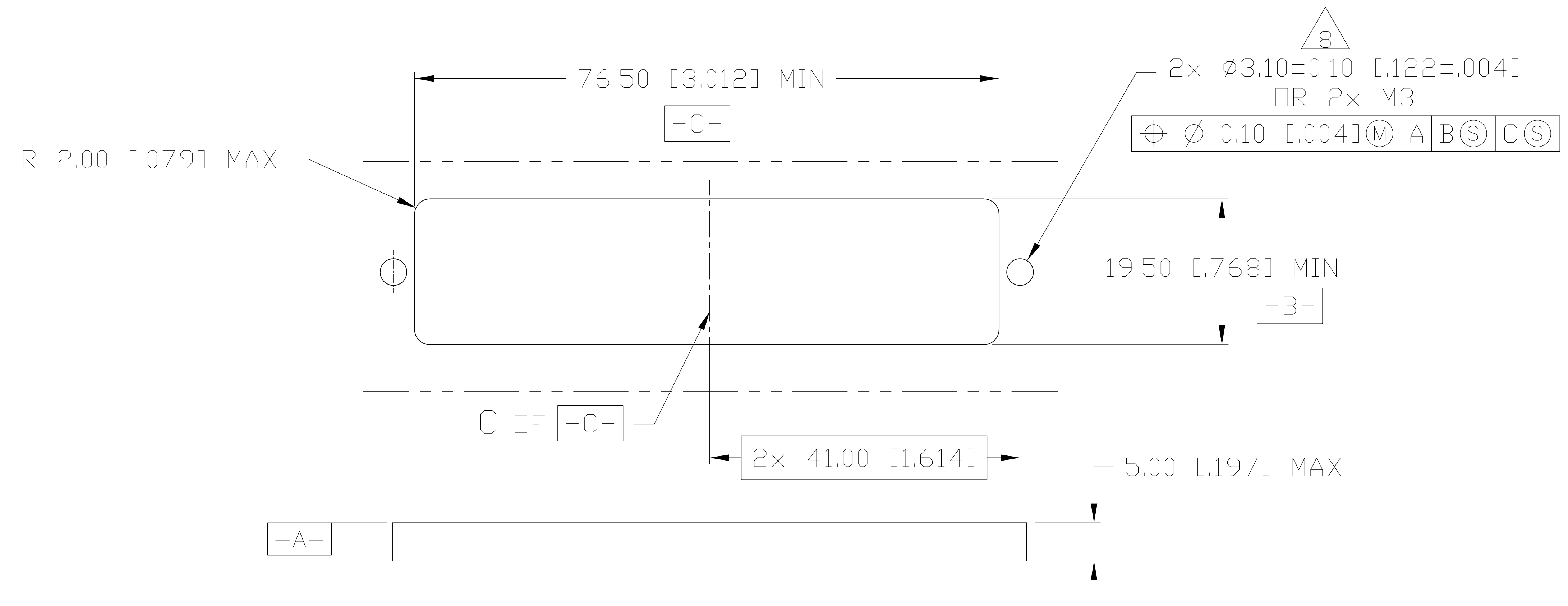
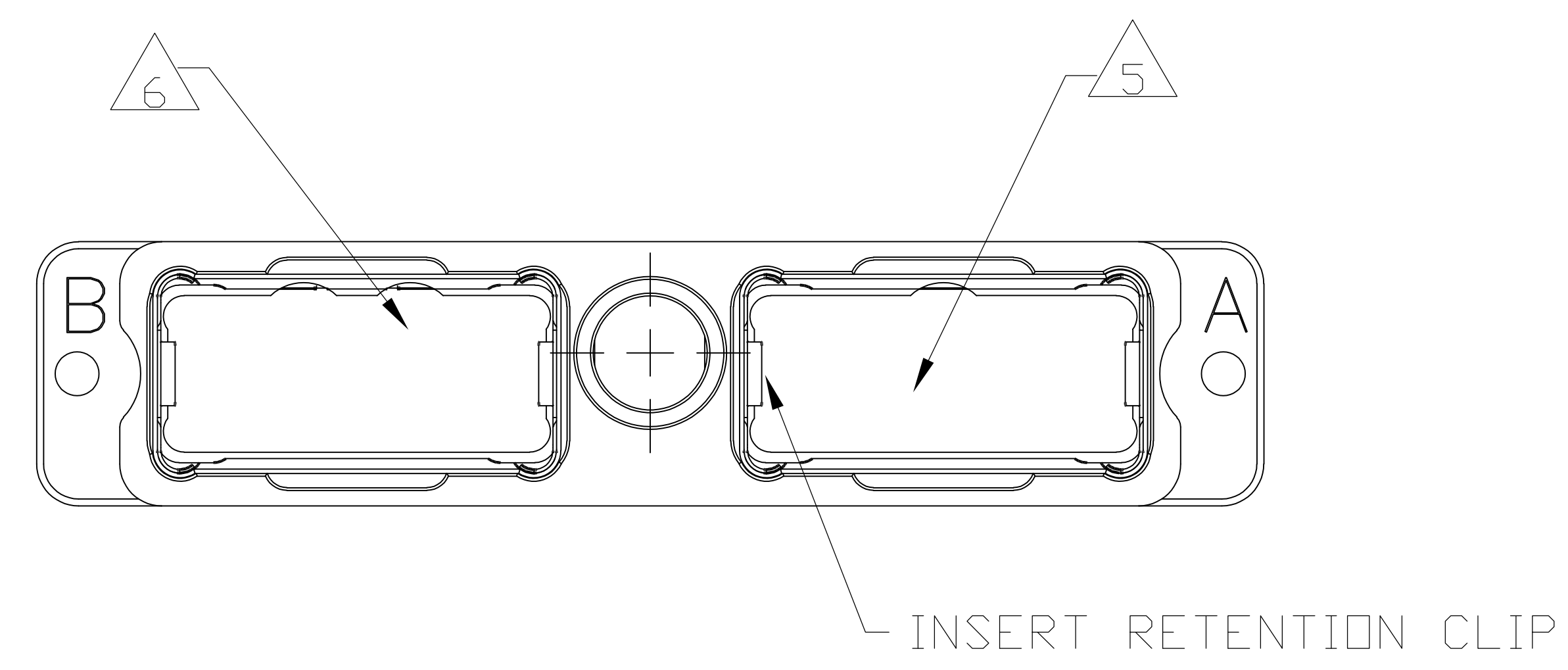
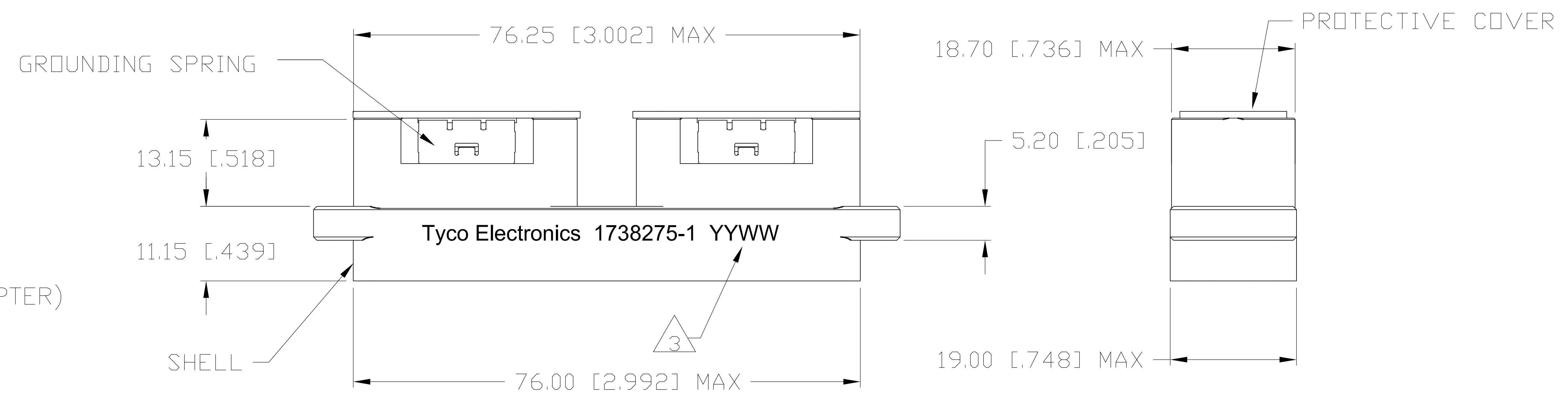
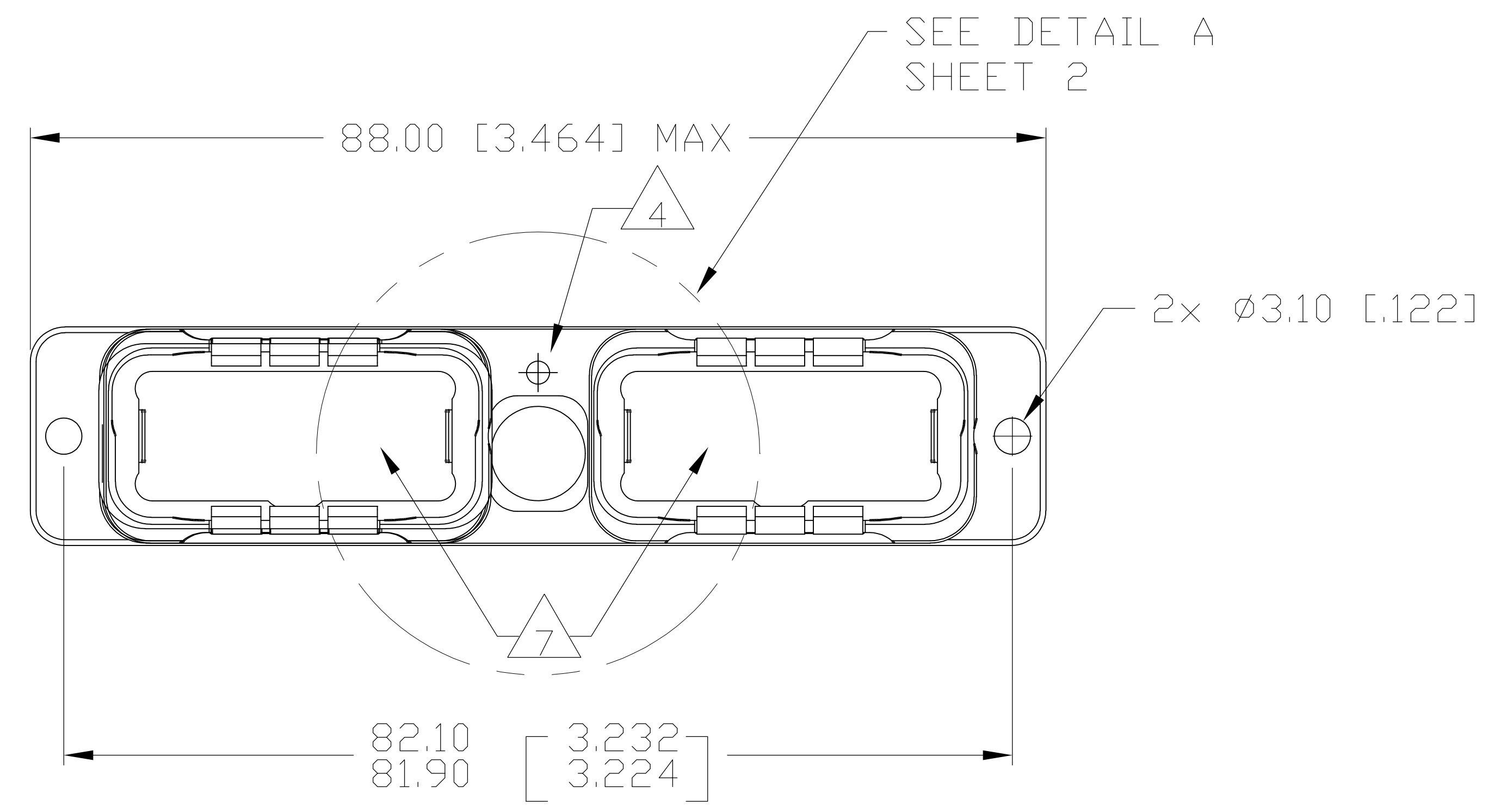
9 THE JACKNUT AND RETAINING NUT ARE SHIPPED UNASSEMBLED.
 THE CUSTOMER SHALL APPLY LOCTITE® PRODUCT 272 THREADLOCKING ADHESIVE
 WHEN INSTALLING THESE ON THE SHELL ASSEMBLY. LOCTITE® IS A
 REGISTERED TRADEMARK OF LOCTITE CORPORATION.

10 A SPANNER WRENCH TOOL, TYCO ELECTRONICS P/N 1738220-1 (WITH 1/4-in ADAPTER)
 OR 1738221-1 (WITH T-HANDLE), IS USED TO LOCK THE RETAINING NUT.
 RECOMMENDED LOCKING TORQUE: 1.5 N-m [13 in-lb].

11. PITCH FOR SIDE-BY-SIDE MOUNTING: 19.50 [.768] MIN.

12. DESCRIPTIVE PART NUMBER: GPRB2HD22N
 SERIES: GPRB
 SHELL SIZE: 2 (TWO-CAVITY SHELL)
 SHELL STYLE: H (RECEPTACLE WITH GROUNDING SPRINGS)
 MODIFICATION CODE: D (2x ø3.10mm THRU HOLES FOR PANEL MOUNTING)
 LOCKING & POLARIZING DEVICE: 2 (JACKNUT)
 POLARIZATION CODE: 2 (A-F JACKNUT HARDWARE SHIPPED UNASSEMBLED)
 SHELL PLATING: N (NICKEL PLATING)

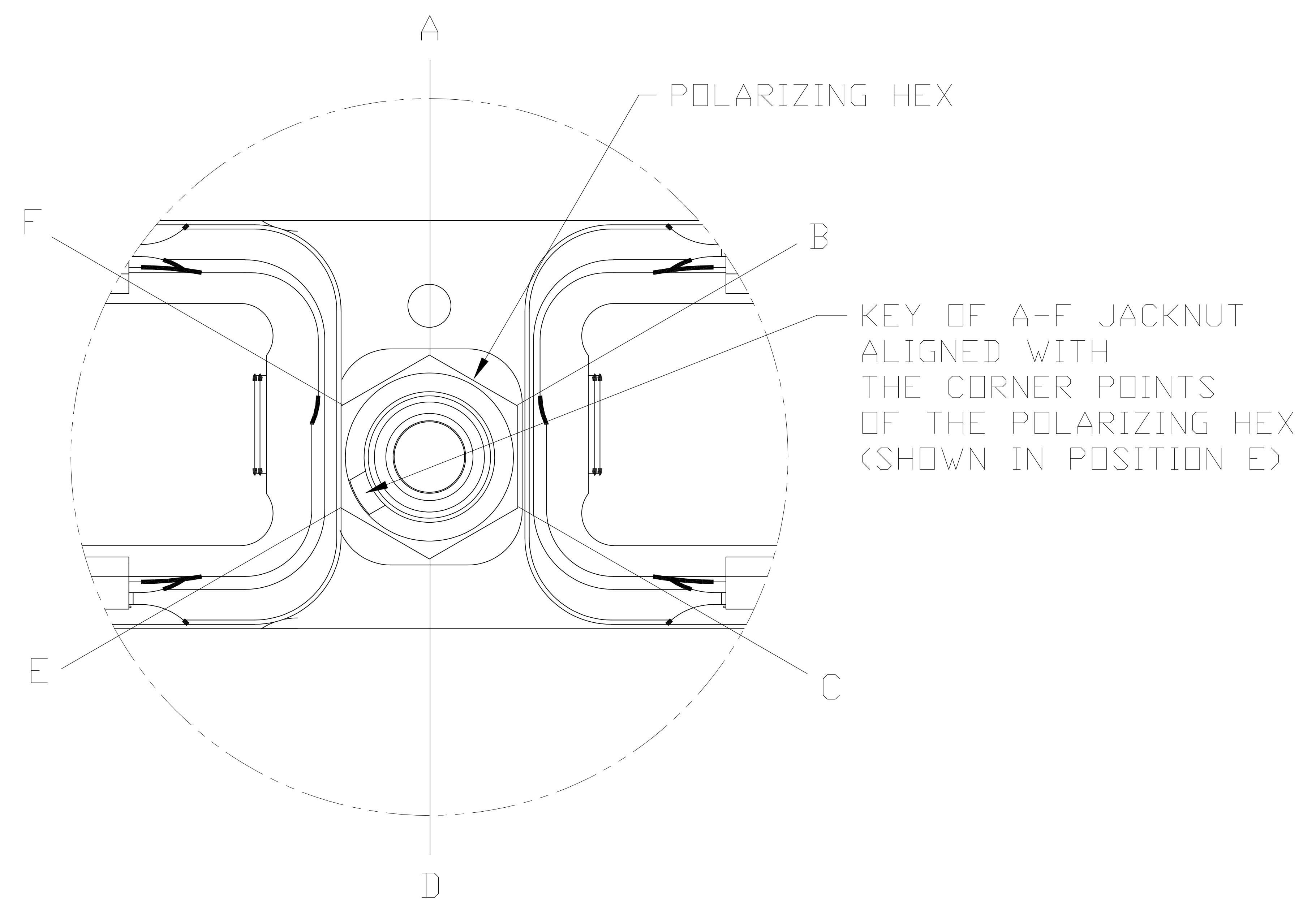
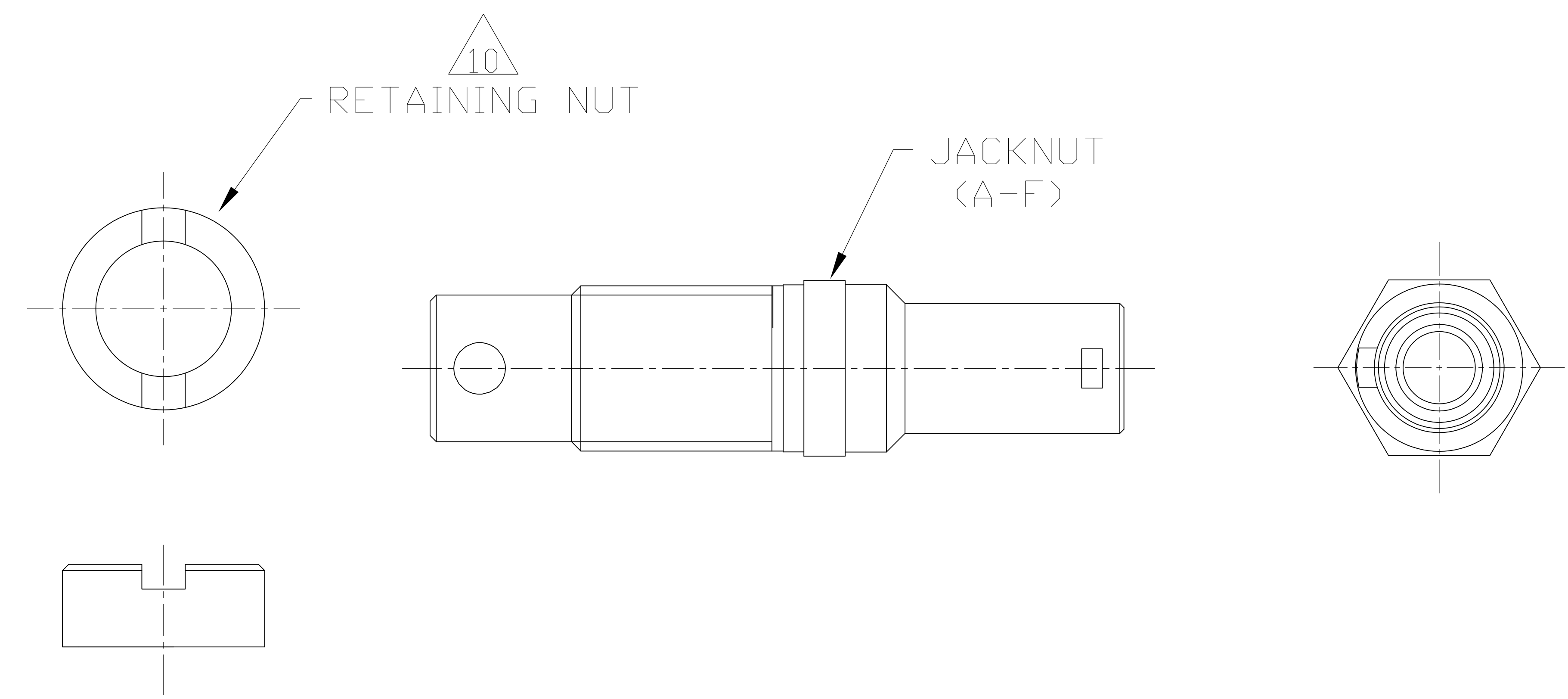
13. THIS PRODUCT IS SOLD BY TYCO ELECTRONICS UNDER A LICENSE FROM RADIALL SA.



THIS PRINT IS
PRELIMINARY
 UNQUALIFIED PRODUCT
 CONTACT PRODUCT ENGINEERING
 BEFORE USING THIS PRINT

RECOMMENDED PANEL CUTOUT

THIS DRAWING IS A CONTROLLED DOCUMENT.		DATE: 10/04	REV: 3
DRAWN BY: J. MOSIER		DATE: 10/04	REV: 3
CHECKED BY: J. MOSIER		DATE: 10/04	REV: 3
APPROVED BY: J. MOSIER		DATE: 10/04	REV: 3
PART NUMBER: 1738275-1		RECEPTACLE SHELL KIT, WITH TWO 3.10mm DIA MOUNTING HOLES, WITH A-F JACKNUT, GPRB2	
MATERIAL: ALUMINUM ALLOY 6061 T651		SCALE: 1:1	SHEET 1 OF 2
FINISH: ELECTROLESS NICKEL		CUSTOMER DRAWING	



DETAIL A - JACKNUT KIT ASSEMBLED

THIS PRINT IS
PRELIMINARY
 UNQUALIFIED PRODUCT
 CONTACT PRODUCT ENGINEERING
 BEFORE USING THIS PRINT

1738275-1
 PART NUMBER

THIS DRAWING IS A CONTROLLED DOCUMENT.		DATE: OCT14	REV: 1	Tyco Electronics Corporation Harrisburg, Pa 17105-3608	
DESIGNER: J. MOSIER		DATE: OCT14	REV: 1	RECEPTACLE SHELL KIT, WITH TWO 3.10mm DIA MOUNTING HOLES, WITH A-F JACKNUT, GPRB2	
DIMENSIONS: mm (INCHES)		PRODUCT SPEC: --	APPLICATION SPEC: --	SIZE: A0	DRAWING NO: 1738275
MATERIAL: --		WEIGHT: --	CUSTOMER DRAWING	SCALE: 1:1	SHEET 2 OF 2

单击下面可查看定价，库存，交付和生命周期等信息

[>>TE Connectivity\(泰科\)](#)