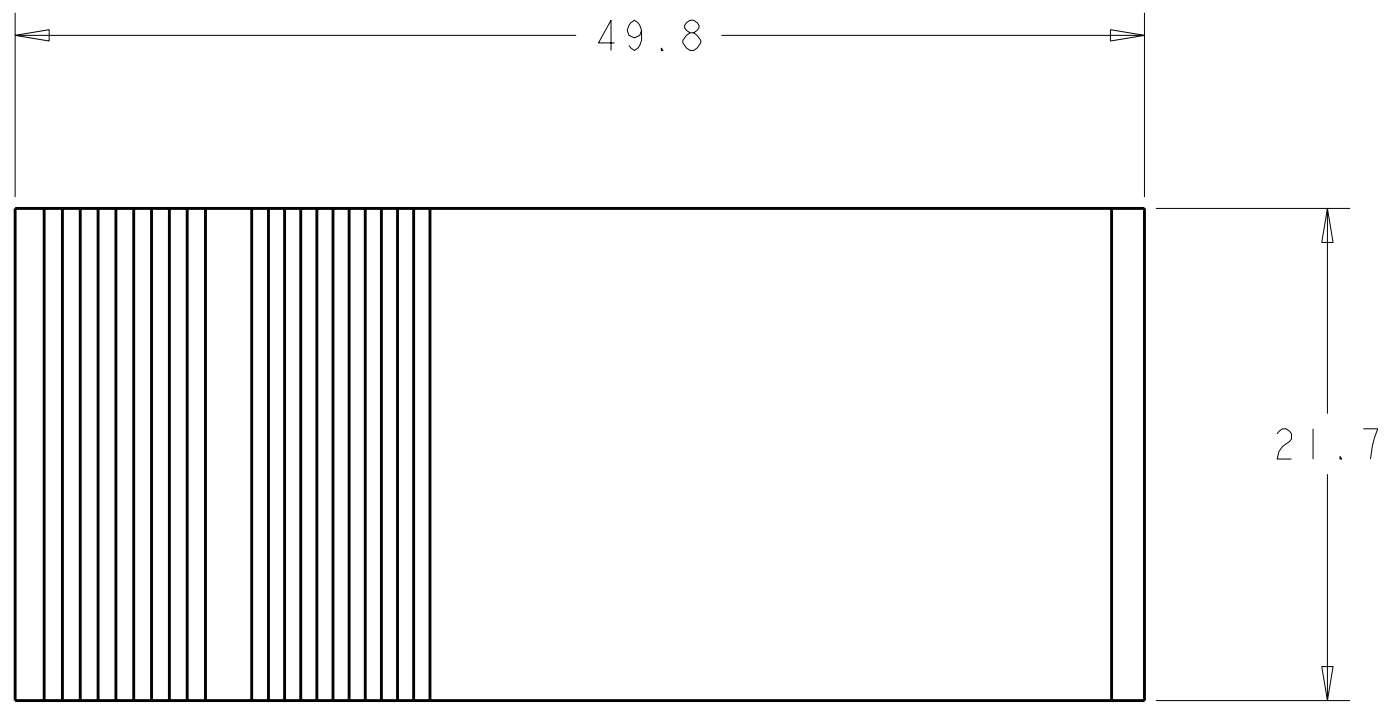
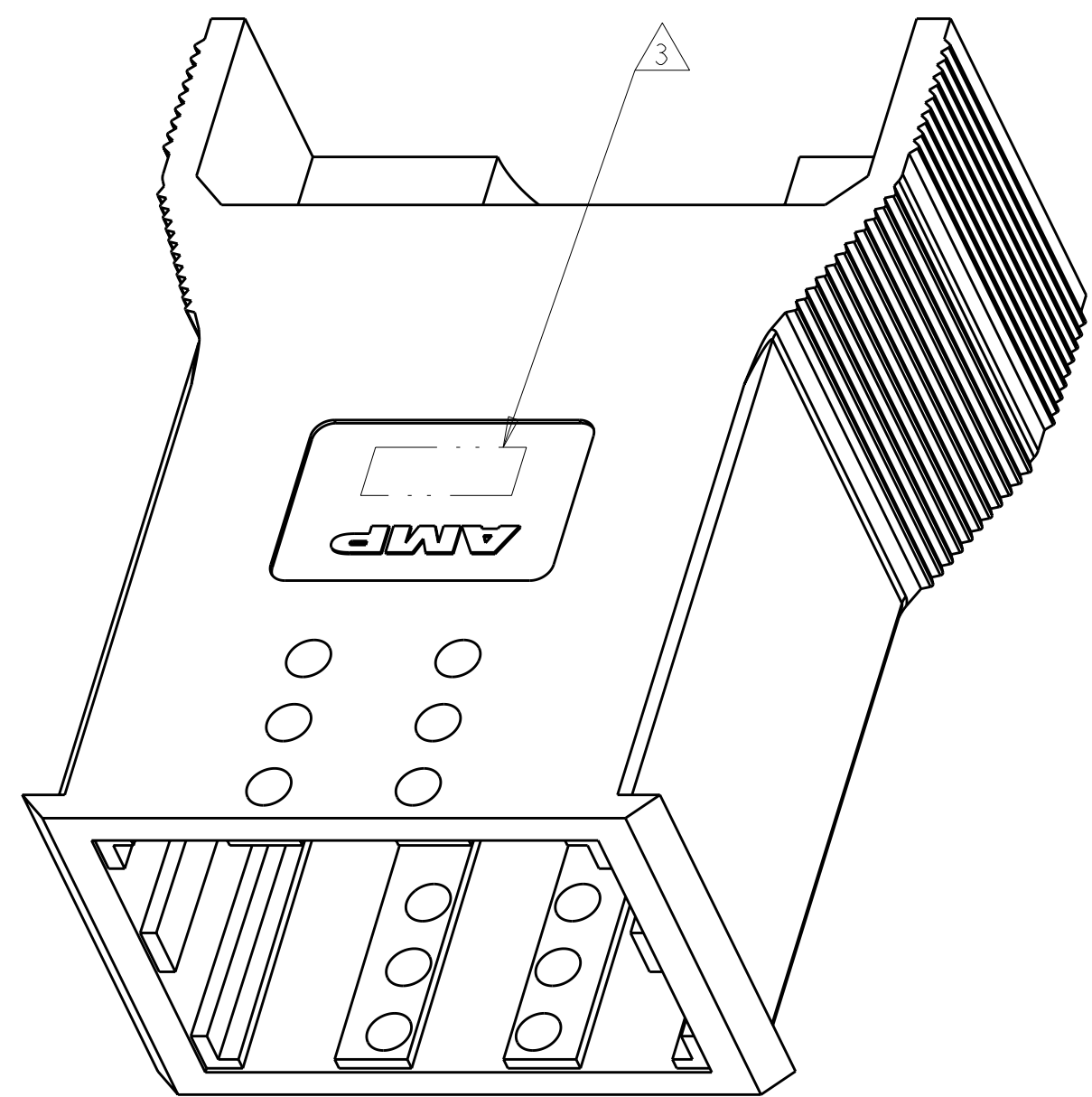
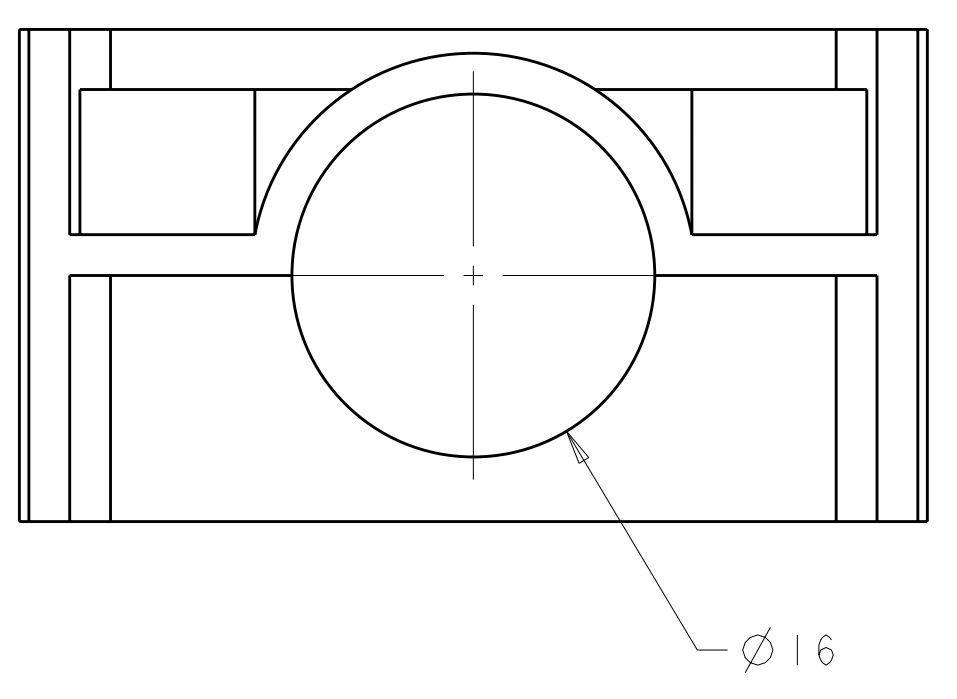
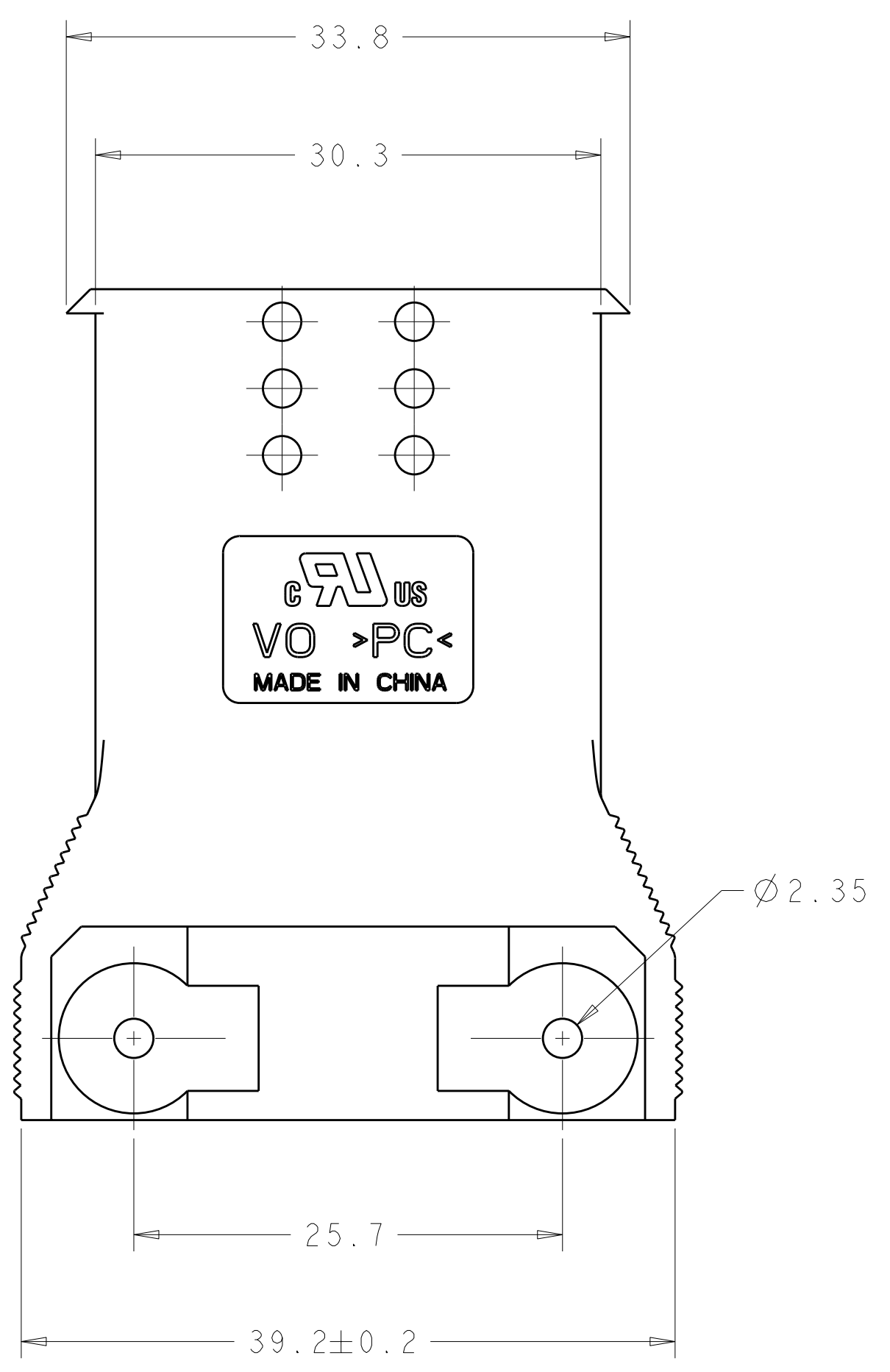


LOC		DIST		REVISIONS			
FT	0	REV	DATE	BY	CHK	APP	DATE
		B	03JUN2011	REVISED PER ECO-11-005167		HMR	DY



- 1. MATERIAL: POLYCARBONATE 94-V0
- 2. COLOR: BLACK
- △ TE OR TE CONNECTIVITY LOGO LOCATED APPROX IN THIS AREA.

1604081-1  
 PART NUMBER

THIS DRAWING IS A CONTROLLED DOCUMENT.		DWN B. HAYMAKER 09JAN2002		TE Connectivity	
DIMENSIONS:		CHK K. KETELSLEGER 14MAR02			
mm		APVD K. KETELSLEGER 14MAR02		NAME HOUSING, 2X3 POWER SERIES PLUG WITHOUT LATCH	
TOLERANCES UNLESS OTHERWISE SPECIFIED: 0 PLC ±0.13 1 PLC ±0.13 2 PLC ±0.13 3 PLC ±0.13 4 PLC ±0.13 ANGLES ±°		PRODUCT SPEC APPLICATION SPEC WEIGHT FINISH		SIZE CAGE CODE DRAWING NO A100779C=1604081	
MATERIAL		CUSTOMER DRAWING		RESTRICTED TO	
		SCALE 3:1		SHEET 1 OF 1 REV B	

单击下面可查看定价，库存，交付和生命周期等信息

[>>TE Connectivity\(泰科\)](#)