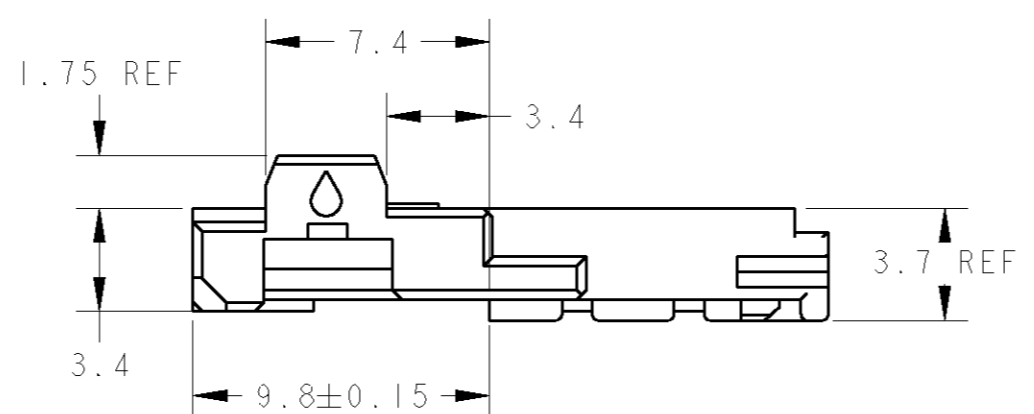
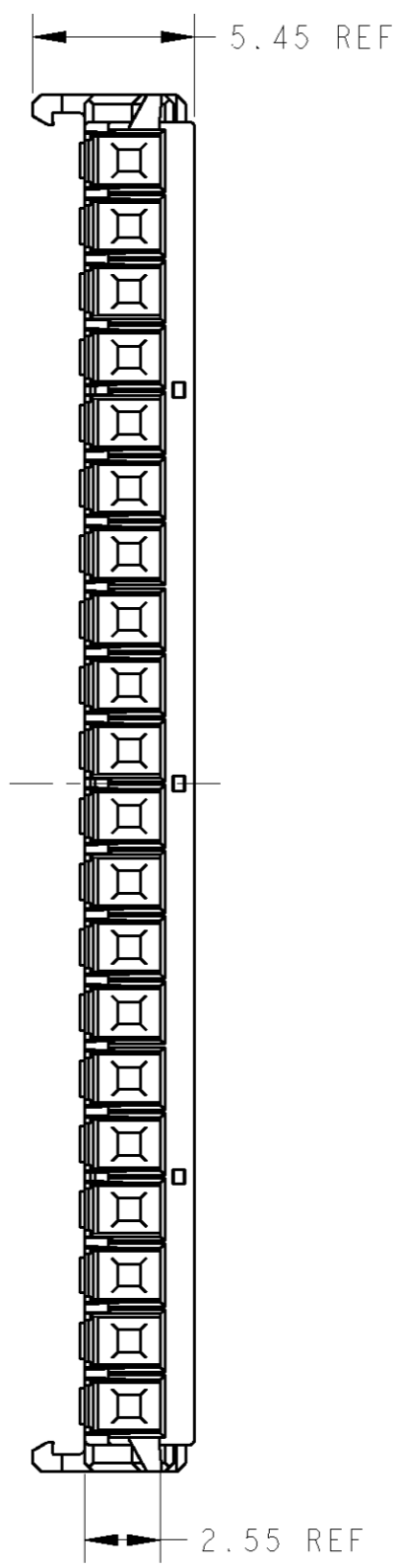
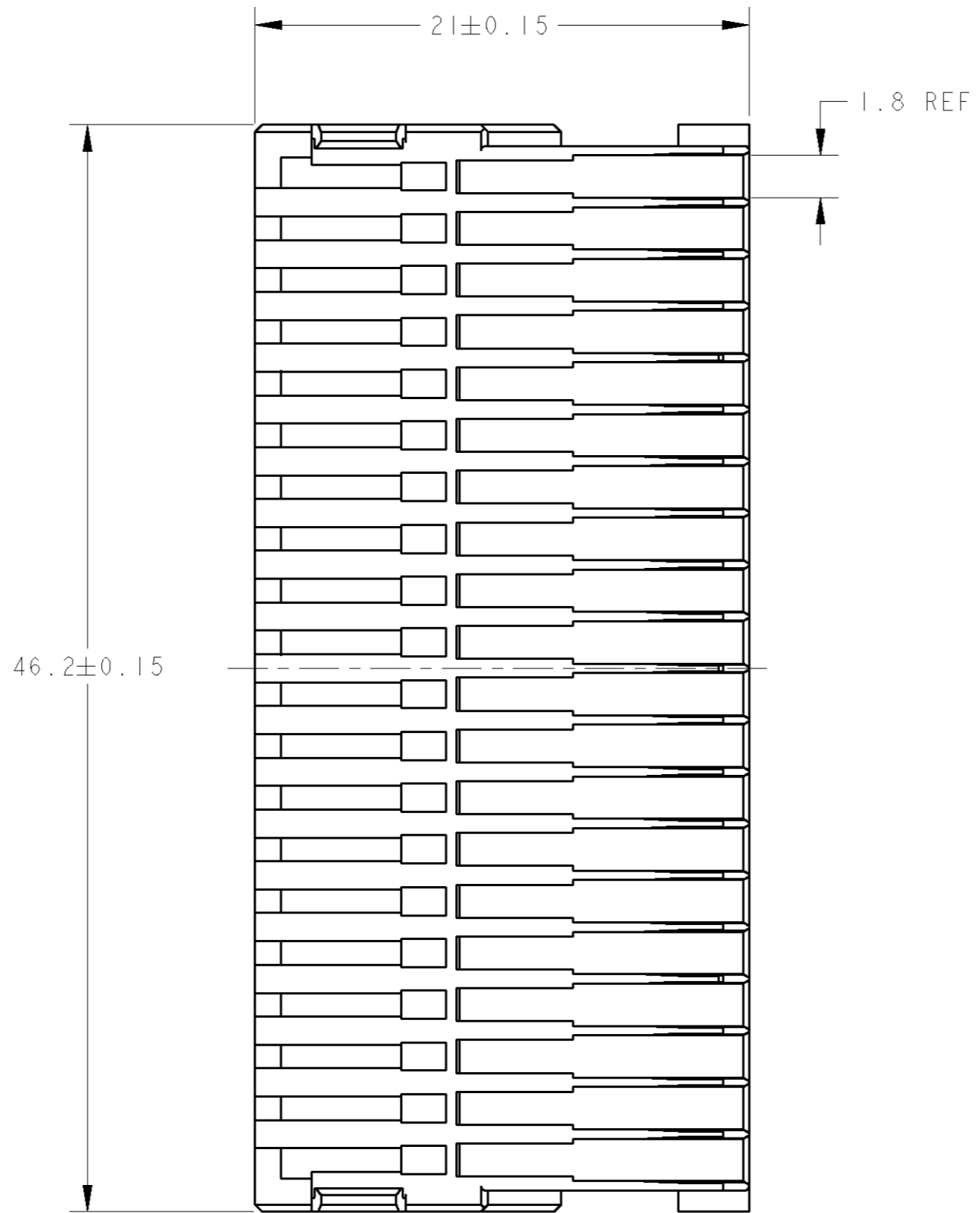
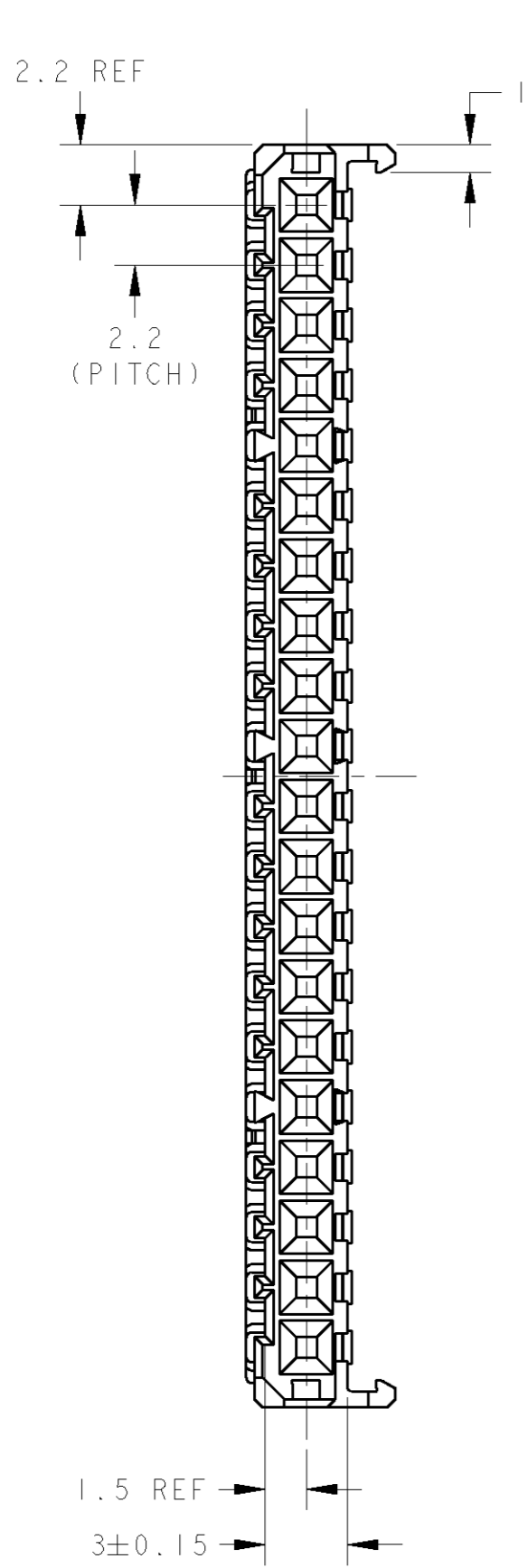


THIS DRAWING IS UNPUBLISHED. RELEASED FOR PUBLICATION 20
 © COPYRIGHT 20 BY TYCO ELECTRONICS CORPORATION. ALL RIGHTS RESERVED.

REVISIONS						
REV	DATE	DESCRIPTION	ECN	DATE	DWN	APVD
0	11JUN02	RELEASED	FJ00-1438-02	11JUN02	TS	KB
01	16JUL02	REVISED	FJ00-1467-02	16JUL02	TS	KB



- 1. 適用ターミナル品番: 1318688
 - 2. 本品はロックハウジング型番 1318695を装着して使用する。
 - 3. 取扱説明書: 411-5912
- 1. APPLICABLE TERMINAL PART No.: 1318688
 - 2. PLUG HOUSING MUST BE USED WITH LOCK HOUSING PN: 1318694
 - 3. INSTRUCTION SHEET No.: 411-5912

NATURAL	1318693-2
HOUSING COLOR	PART NUMBER

THIS DRAWING IS A CONTROLLED DOCUMENT FOR TYCO ELECTRONICS CORPORATION IT IS SUBJECT TO CHANGE AND THE CONTROLLING ENGINEERING ORGANIZATION SHOULD BE CONTACTED FOR THE LATEST REVISION.		DWN T. SHINOHARA 11JUN02 CHK K. BETSU 11JUN02 APVD K. BETSU 11JUN02	tyco Tyco Electronics AMP K.K. Electronics Kawasaki, Japan	
DIMENSIONS: 単位: 純 mm	TOLERANCES UNLESS OTHERWISE SPECIFIED: 一般公差: ±0.3 1-PLC ±0.1 2-PLC ±0.01 3-PLC ±0.001 4-PLC ±0.0001 ANGLES ±3°00' FINISH 仕上	PRODUCT SPEC 108-5660 APPLICATION SPEC 114-5276 WEIGHT 1.9g	NAME 20POSITION PLUG HOUSING 名称 025 IDC CONNECTOR	
MATERIAL PBT	SEE TABLE	CUSTOMER DRAWING	SIZE A2 CAGE CODE 00779 DRAWING NO. 1318693	RESTRICTED TO - SCALE 4:1 SHEET 1 OF 1 REV 01

单击下面可查看定价，库存，交付和生命周期等信息

[>>TE Connectivity\(泰科\)](#)