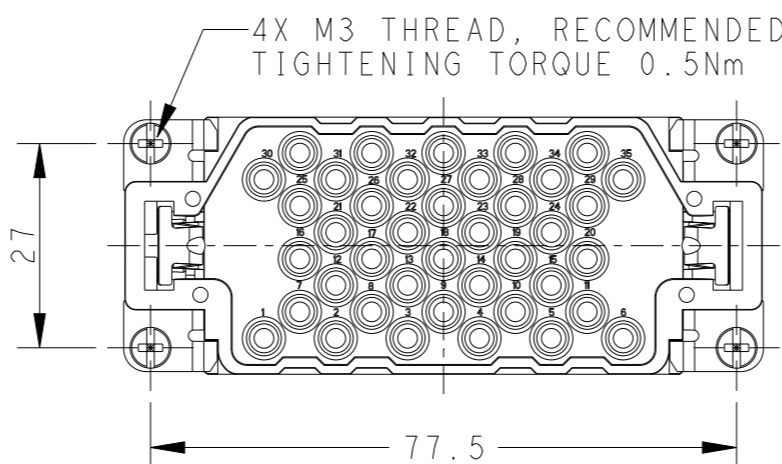
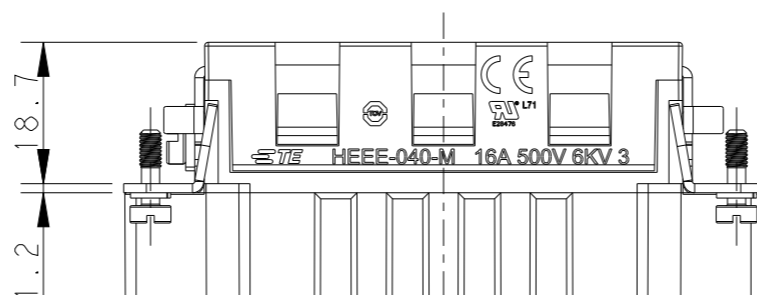
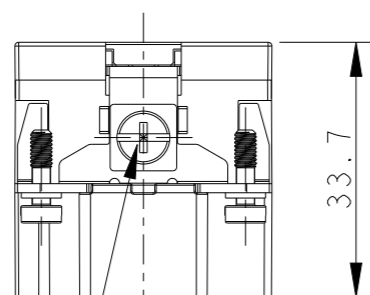
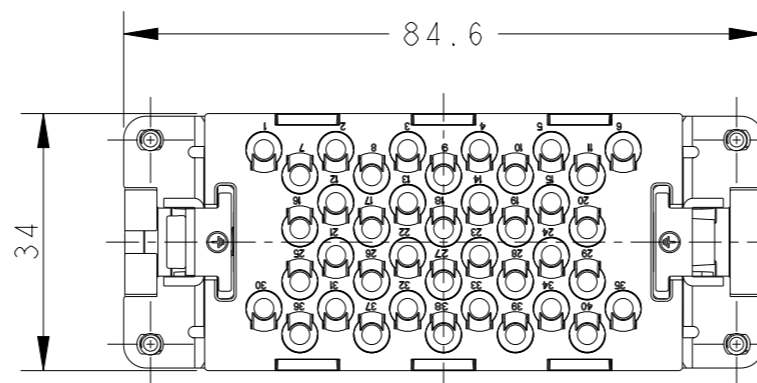
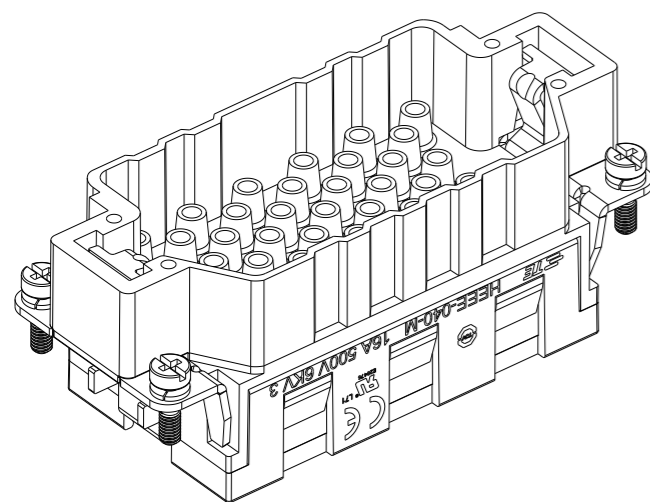


REVISIONS

P	LTR	DESCRIPTION	DATE	DWN	APVD
A		INITIAL	05MAR2015	DW	CW
B		ECR-15-015267	19OCT2015	DW	CW
C		ECR-21-111798	02SEP2021	WQR	CW



NOTES:

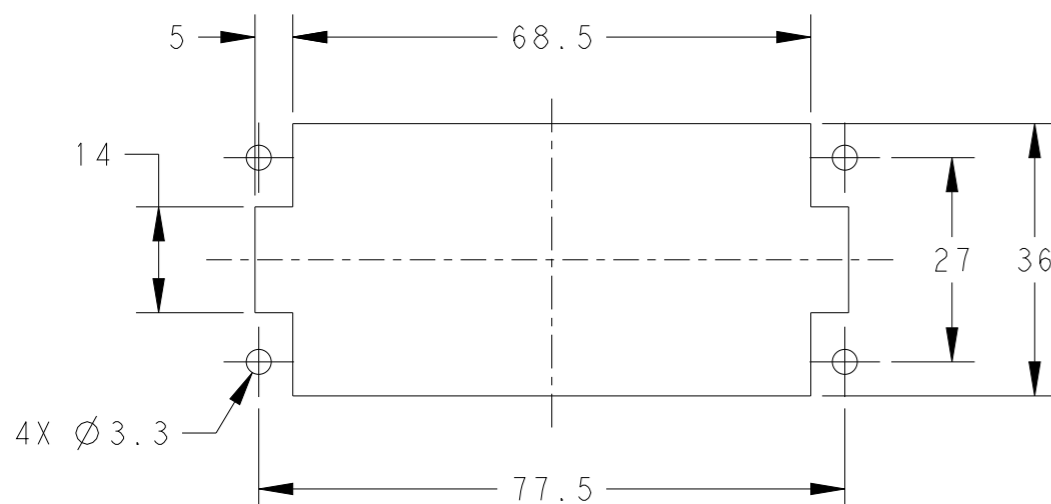
- TECHNICAL CHARACTERISTICS:
 INSULATION MATERIAL: PC
 RATED VOLTAGE: 500V
 RATED CURRENT: 16A
 INSULATION RESISTANCE: >=400MΩ
 RATED IMPULSE VOLTAGE: 6KV
 POLLUTION DEGREE: 3
 FLAMMABILITY: UL94V-0
 MATING CYCLES: 500 CYCLES
 OPERATION TEMPERATURE: -40°C~+125°C
 WIRE RANGE: 0.14mm²~4mm² (AWG26-AWG12)
 CONTACT TYPE: CRIMP CONTACT
- CONTACTS NEED TO BE ORDERED SEPARATELY.
 (ORDER No. REFER TO DRAWING:T20300X10XX000)

注释:

- 技术参数:
 绝缘材料: PC
 额定电压: 500V
 额定电流: 16A
 绝缘电阻: >=400MΩ
 脉冲电压: 6KV
 污染等级: 3
 阻燃等级: UL94V-0
 插拔次数: 500次
 工作温度: -40°C~+125°C
 接线范围: 0.14mm²~4mm² (AWG26-AWG12)
 接线类型: 冷压接
- 端子需要单独订购。
 (订货号参考图面: T20300X10XX000)

M4 THREAD RECOMMENDED TIGHTENING TORQUE 1.2Nm

PANEL CUT FOR INSERTS FOR USE WITHOUT HOODS/ HOUSINGS



THIS DRAWING IS A CONTROLLED DOCUMENT.

DIMENSIONS:	TOLERANCES UNLESS OTHERWISE SPECIFIED:
mm	
	0 PLC ±-
	1 PLC ±-
	2 PLC ±-
	3 PLC ±-
	4 PLC ±-
	ANGLES ±-
MATERIAL	FINISH
-	-

DWN	05MAR2015
David Wang	
CHK	05MAR2015
Chris Wang	
APVD	05MAR2015
Xiang Xu	
PRODUCT SPEC	108-137068
APPLICATION SPEC	108-137068
WEIGHT	-
Customer Drawing	

HEEE-040-M	T2050402101-000
DESCRIPTION	PART NUMBER



NAME		HEEE-040-M	
SIZE	CAGE CODE	DRAWING NO	RESTRICTED TO
A3	00779	©-T2050402101000	-
SCALE	SHEET	OF	REV
1:1	1	1	C

单击下面可查看定价，库存，交付和生命周期等信息

[>>TE Connectivity\(泰科\)](#)