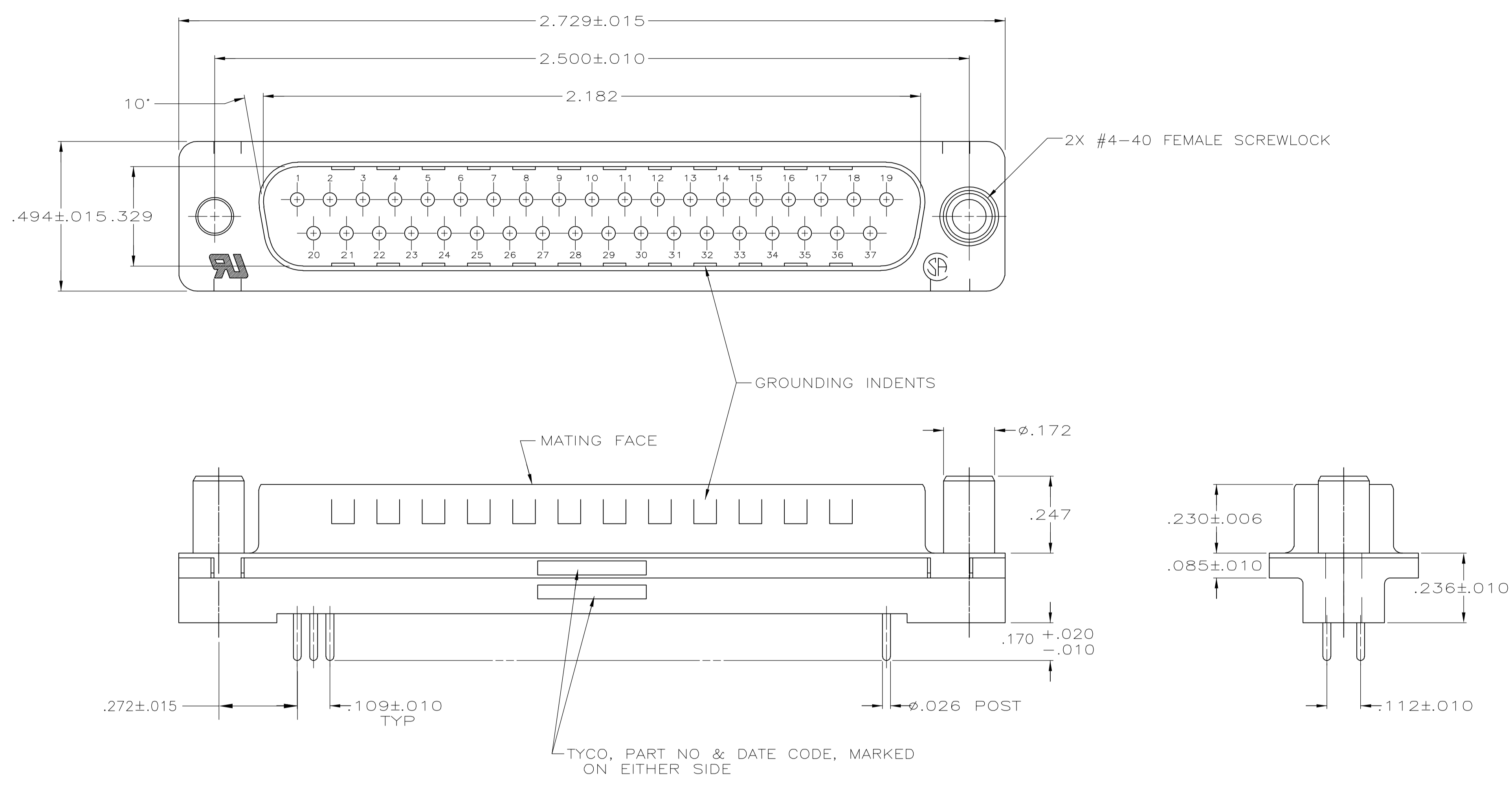
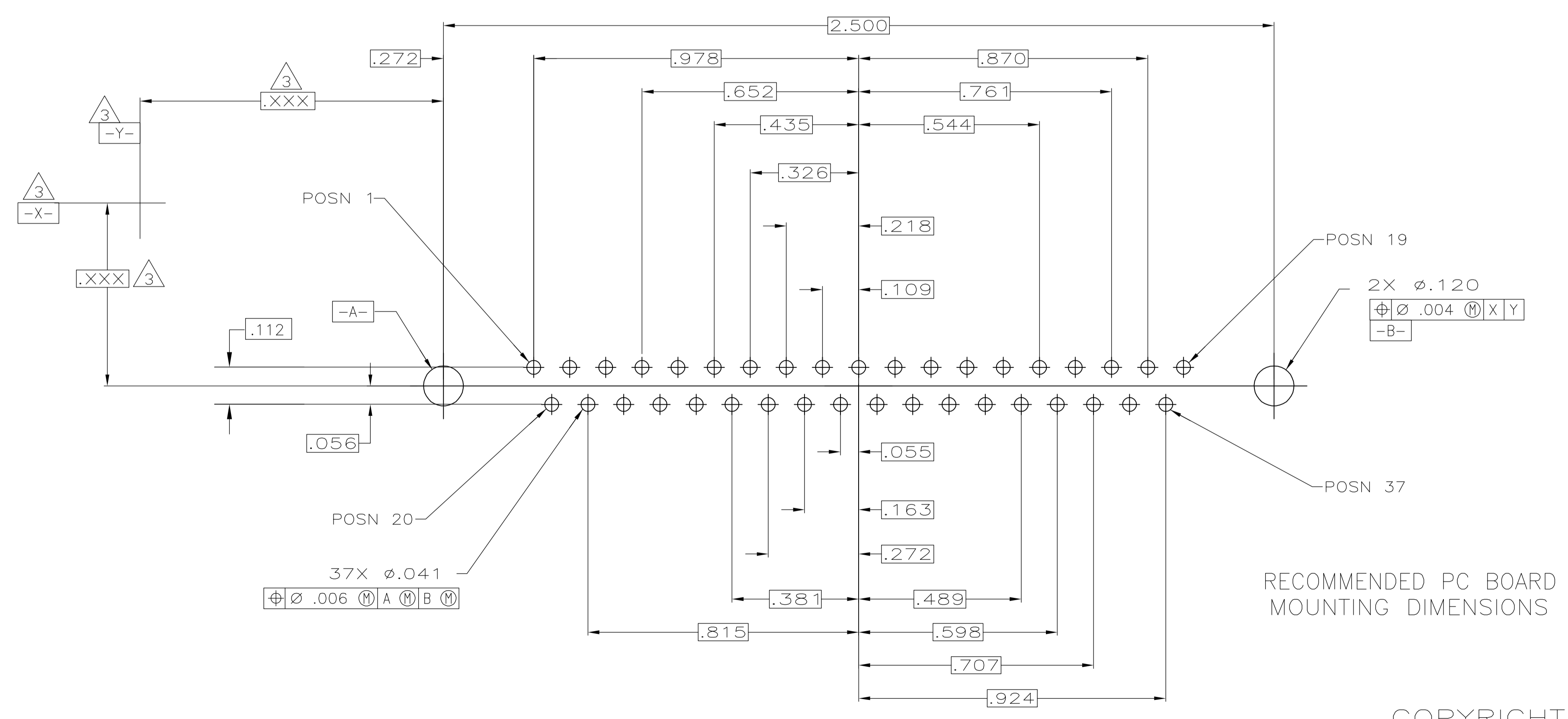


| LOC | | DIST | | REVISIONS | | | |
|-----|----|------|----------|-----------|-------|--|--|
| GP | 00 | REV | DATE | BY | APP'D | | |
| B | | | 3/JAN/07 | ZMREDB | | | |



- 1 HOUSING: FLAME RETARDANT, 94V-0 RATED, THERMOPLASTIC; COLOR: BLACK
SHELL: CARBON STEEL
CONTACTS: BRASS
SCREWLOCKS: ZINC
- 2 SHELL: .000200 MIN TIN OVER .000100 MIN COPPER
SCREWLOCKS: UNPLATED
CONTACTS: GOLD PLATED FOR A LENGTH OF .150 MIN FROM MATING END, .000030 MIN GOLD IN MATED AREA, .000100 MIN TIN ON TERMINATION END, ALL OVER .000050 MIN NICKEL ON ENTIRE CONTACT.
-OR-
GOLD FLASH OVER PALLADIUM NICKEL PLATED FOR A LENGTH OF .150 MIN FROM MATING END, .000030 MIN PALLADIUM NICKEL IN MATED AREA, .000100 MIN TIN ON TERMINATION END, ALL OVER .000050 MIN NICKEL ON ENTIRE CONTACT.
- 3 DATUMS AND BASIC DIMENSIONS ESTABLISHED BY CUSTOMER.



RECOMMENDED PC BOARD MOUNTING DIMENSIONS

COPYRIGHT 2005 TYCO ELECTRONICS CORP ALL RIGHTS RESERVED

2-5747705-1
PART NO

| | | | | | |
|--|--|---|--|---|---------------------------------|
| THIS DRAWING IS A CONTROLLED DOCUMENT. | | DWG: B. LATTUCA 27SEPT05 | | Tyco Electronics Corporation Harrisburg, PA 17105-3608 | |
| DIMENSIONS: INCHES | | CHK: S. BOLASH 27SEPT05 | | AP'D: M. WALMSLEY 27SEPT05 | NAME: M. WALMSLEY |
| TOLERANCES UNLESS OTHERWISE SPECIFIED: | | 0 PLC ± - 1 PLC ± - 2 PLC ± - 3 PLC ± .005 4 PLC ± - .005 ANGLES ± - ± - | | APPLICATION SPEC: 114-40023 | RESTRICTED TO: - |
| MATERIAL | | FINISH | | SIZE: A1 | WEIGHT: - |
| 1 | | 2 | | CUSTOMER DRAWING | SCALE: 4:1 SHEET: 1 OF 1 REV: B |

单击下面可查看定价，库存，交付和生命周期等信息

[>>TE Connectivity\(泰科\)](#)

[>>点击查看相关商品](#)