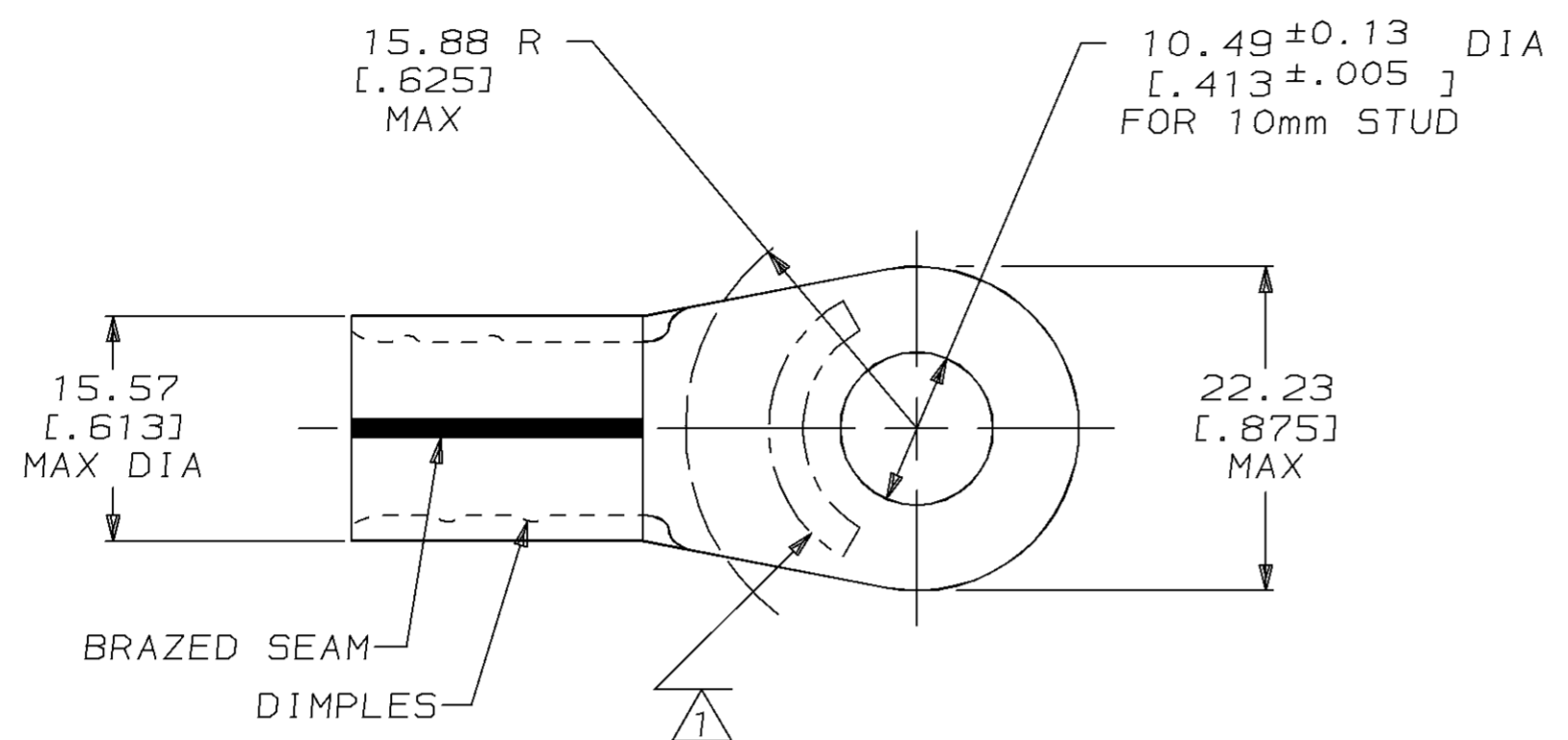


THIS DRAWING IS UNPUBLISHED. RELEASED FOR PUBLICATION ,19 .  
 © COPYRIGHT 19 BY AMP INCORPORATED. ALL INTERNATIONAL RIGHTS RESERVED.

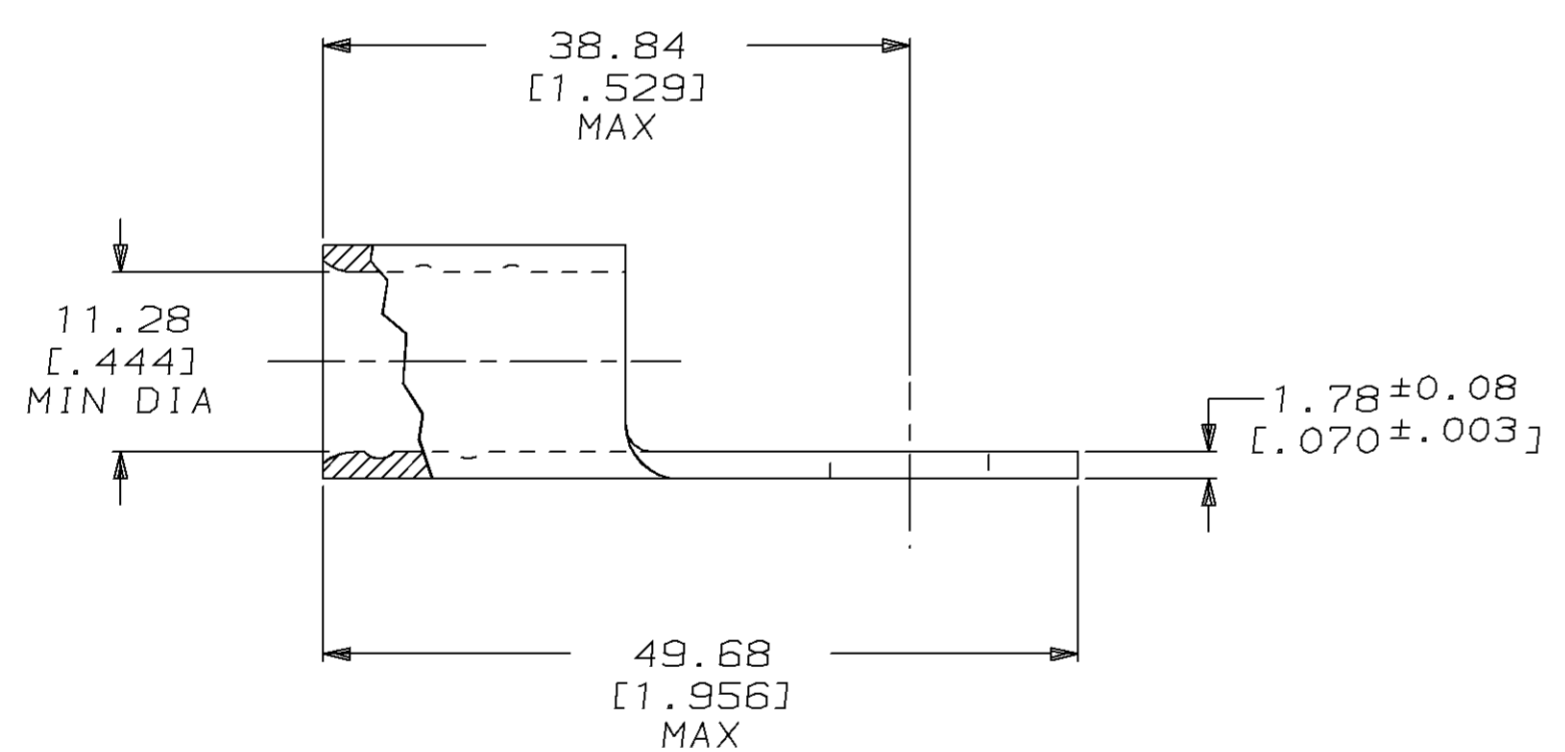
LOC	DIST	P	F	ZONE	LTR	DESCRIPTION	DATE	APPD
G	14				A	REVISED PER 0720-0465-95	02MAR95	OKS AJK

**METRIC**  
 DIMENSIONS LISTED IN mm [ INCHES ]



<b>AMP</b> WIRE RANGE	<b>UL</b> E13288 Listed
1/0 AWG SOLID OR STRANDED	1/0 AWG STRANDED
<b>SR</b> LR7189 Certified	MILITARY P/N AND CLASS
1/0 AWG SOLID OR STRANDED	NOT APPLICABLE

① STAMP AMP 1/0W\* APPROX AS SHOWN



184070

B

184070-1  
 PART NO

**AMP INCORPORATED**  
 CUSTOMER SERVICE SYSTEMS

MAX RECOMMENDED OPERATING TEMPERATURE:  
 170°C MAX

DO NOT SCALE PRINT. UNLESS SPECIFIED DIMENSIONS IN mm [INCHES]— TOLERANCES ON :  
 2 PLC DEC ± -  
 3 PLC DEC ± -  
 ANGLES ± -  
 MATERIAL  
 COPPER PER ASTM B-152 ANNEALED  
 FINISH  
 TIN PLATE 0.00254 [0.000100] MIN THK PER MIL-T-10727

DR 03NOV94 DK SCHRUM  
 CHK 08NOV94 AJ KAUFMAN  
 APPD 08NOV94 RE ROSER  
 APPD 08NOV94 JL MECKLEY  
 PRODUCT SPEC -  
 APPLICATION SPEC -  
 WEIGHT -

**AMP** AMP Incorporated  
 Harrisburg, PA 17105-3608  
 NAME  
**TERMINAL, RING TONGUE, SOLISTRAND™**  
 SIZE CAGE CODE DRAWING NO  
 C 00779 C=184070  
 SCALE 2:1 SHEET 1 OF 1

FOR ADDITIONAL PRODUCT INFORMATION OR COPIES OF DRAWINGS AND TECHNICAL DOCUMENTS  
 PRODUCT INFORMATION CENTER 1-800-522-6752  
 FOR APPLICATION TOOLING INFORMATION  
 TOOLING ASSISTANCE CENTER 1-800-722-1111  
 FOR ORDER ENTRY  
 1-800-526-5142

VOLTAGE RATING:  
 NOT APPLICABLE  
 WIRE CROSS SECTIONAL AREA RANGE:  
 42.4-60.6mm<sup>2</sup> [83,700-119,500] CIR MILS  
 SOLID OR STRANDED  
 THIS DRAWING IS A CONTROLLED DOCUMENT FOR AMP INCORPORATED. IT IS SUBJECT TO CHANGE AND THE CONTROLLING ENGINEERING ORGANIZATION SHOULD BE CONTACTED FOR THE LATEST REVISION.

单击下面可查看定价，库存，交付和生命周期等信息

[>>TE Connectivity\(泰科\)](#)