

THIS DRAWING IS UNPUBLISHED.

RELEASED FOR PUBLICATION

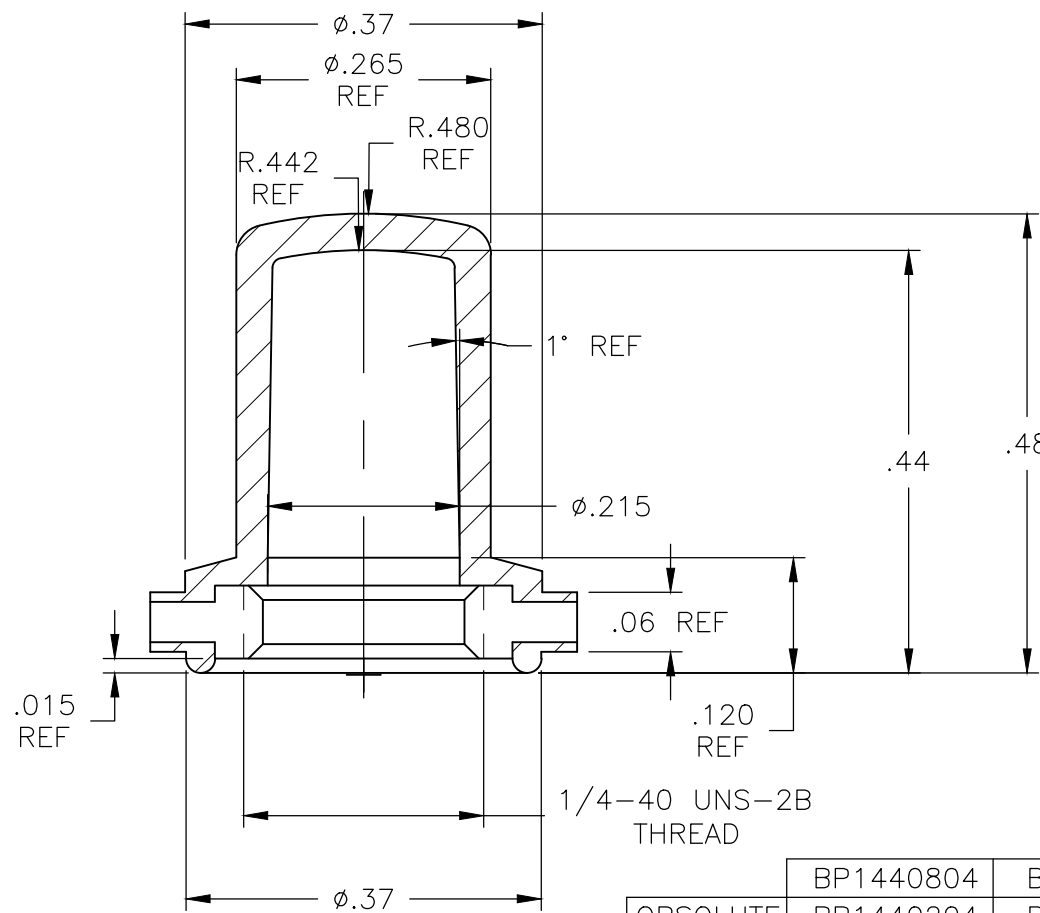
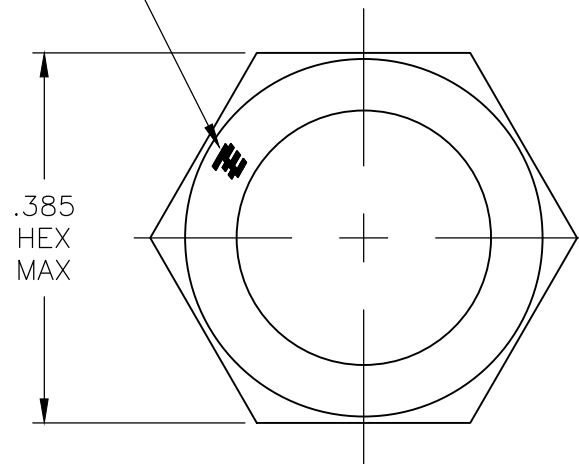
ALL RIGHTS RESERVED.

© COPYRIGHT - TE Connectivity Ltd.

REVISIONS

P	LTR	DESCRIPTION	DATE	DWN	APVD
	B3	ECR-16-017266	01JUN2018	SR	PO

TE LOGO, RAISED



1. SOME DIMENSIONS MAY VARY DUE TO DIFFERENT COMPOUND SHRINKAGE FACTOR.
2. MINOR FLASH ACCEPTABLE ON INSERT THREAD.
3. BLACK FINISH/NICKEL PLATING INSIDE THREADS REMOVED DUE TO MOLDING PROCESS PERMITTED.
4. RUBBER TO METAL BOND MUST MEET OR EXCEED THE TEAR STRENGTH OF RUBBER.
5. RUBBER OVERLAY PERMISSIBLE OVER HEX FLATS AS SHOWN IN THE DRAWING.
6. COMPONENTS MUST COMPLY WITH THE EUROPEAN DIRECTIVE 2002/95/EC ON RESTRICTION OF THE USE OF CERTAIN HAZARDOUS SUBSTANCES IN ELECTRICAL AND ELECTRONIC EQUIPMENT (ROHS DIRECTIVE).

	BP1440804	BRASS, NICKEL PLATE PER QQ-N-290	SILICONE, COLOR GRAY	1825610-3
	BP1440204	BRASS, NICKEL PLATE PER QQ-N-290	SILICONE, COLOR RED	1825610-2
	BP1440004	BRASS, BLACK OXIDE PER MIL-F-495	SILICONE, COLOR BLACK	1825610-1
	ALCO NUMBER	HEX NUT MATERIAL	RUBBER BOOT MATERIAL	PART NUMBER

THIS DRAWING IS A CONTROLLED DOCUMENT.		DWN S SCHLEGEL 20FEB2008	STE TE Connectivity Ltd.	
DIMENSIONS: INCHES		CHK M WILBOURN 2/20/08		
TOLERANCES UNLESS OTHERWISE SPECIFIED:		APVD M WILBOURN 2/20/08	NAME	
0 PLC ± -		PRODUCT SPEC	1/4-40 PUSHBUTTON BOOT SEAL	
1 PLC ± -		APPLICATION SPEC	RESTRICTED TO	
2 PLC ± .01		WEIGHT	SIZE A3	CAGE CODE 00779
3 PLC ± .005			DRAWING NO	C=1825610
4 PLC ± -				
ANGLES ± 5°				
MATERIAL -				
FINISH -				
CUSTOMER DRAWING			SCALE 5:1	SHEET 1 OF 1
			REV B3	

单击下面可查看定价，库存，交付和生命周期等信息

[>>TE Connectivity\(泰科\)](#)