

Type 3213 Series



Consuming just 11.5 sq.mm of board, the 3213 has been developed specifically for a new generation of hand held equipment, where mixed technology and double sided component placement are unavoidable. These 3mm devices are just 2mm high and sealed for IR, vapour phase and full immersion wave soldering together with solvent board washing process. Also available within this range is the 3203.

Key Features

- Tiny 3mm Square Size
- Suited to Dip and Wave Solder
- Latest Cermet Technology
- Suitable for Solvent Washing
- Delta Terminals Prevent Solder Bridging
- Super Thin - Only 2mm High
- Designed for Auto Adjust
- Packed in Standard 12mm Tape

SMD Trimmers

Type 3213 Series

Characteristics - Electrical

Resistance Range:	100R to 1M (1, 2, 5 in each decade)
Resistance Tolerance:	± 20%
Temperature Coefficient:	± 100ppm/°C at -65°C to +150°C
Operating Voltage:	15 VDC or AC RMS maximum
Contact Resistance Variation:	1% of nominal maximum
Power Rating:	0.125 watts at 70°C derating to zero @ 125°C
Effective Electrical Angle:	210°

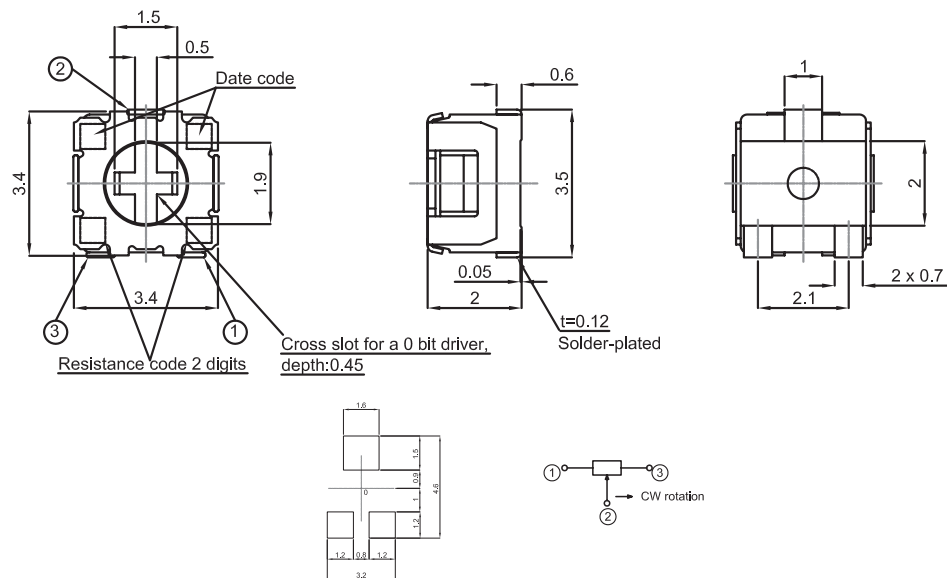
Characteristics - Mechanical

Rotational Torque:	5 mNm maximum
Mechanical Adjustment:	250°

Characteristics - Environmental

Temperature Range:	-55°C to + 125°C
Rotational Life:	After 100 cycles $\Delta R < \pm 5\%$
Load Life:	$\Delta R < 3\%$ after 1000 hours
Sealing:	For dip and wave solder, prior to adjustment

Dimensions 3213



How to Order

3213	X	102	M
Common Part	Orientation	Resistance Value	Tolerance
3213 – Auto Adjust	X – Terminals 1 & 3 away from sprockets holes	The first two digits are significant figures of resistance value and the third denotes the number of zeros following. e.g. 100R: 101 1K0: 102 10K: 103	M - 20 %

单击下面可查看定价，库存，交付和生命周期等信息

[>>TE Connectivity\(泰科\)](#)