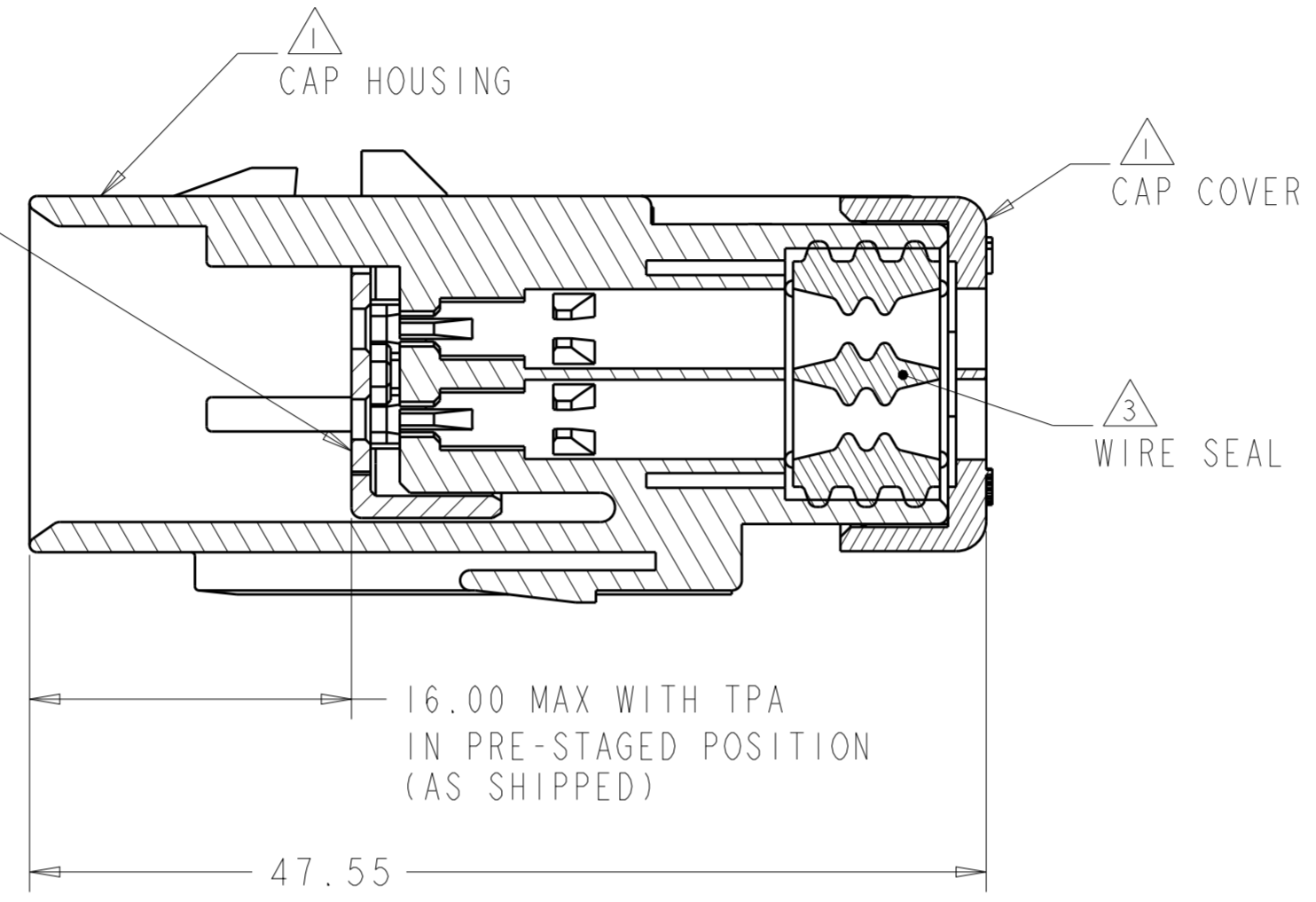
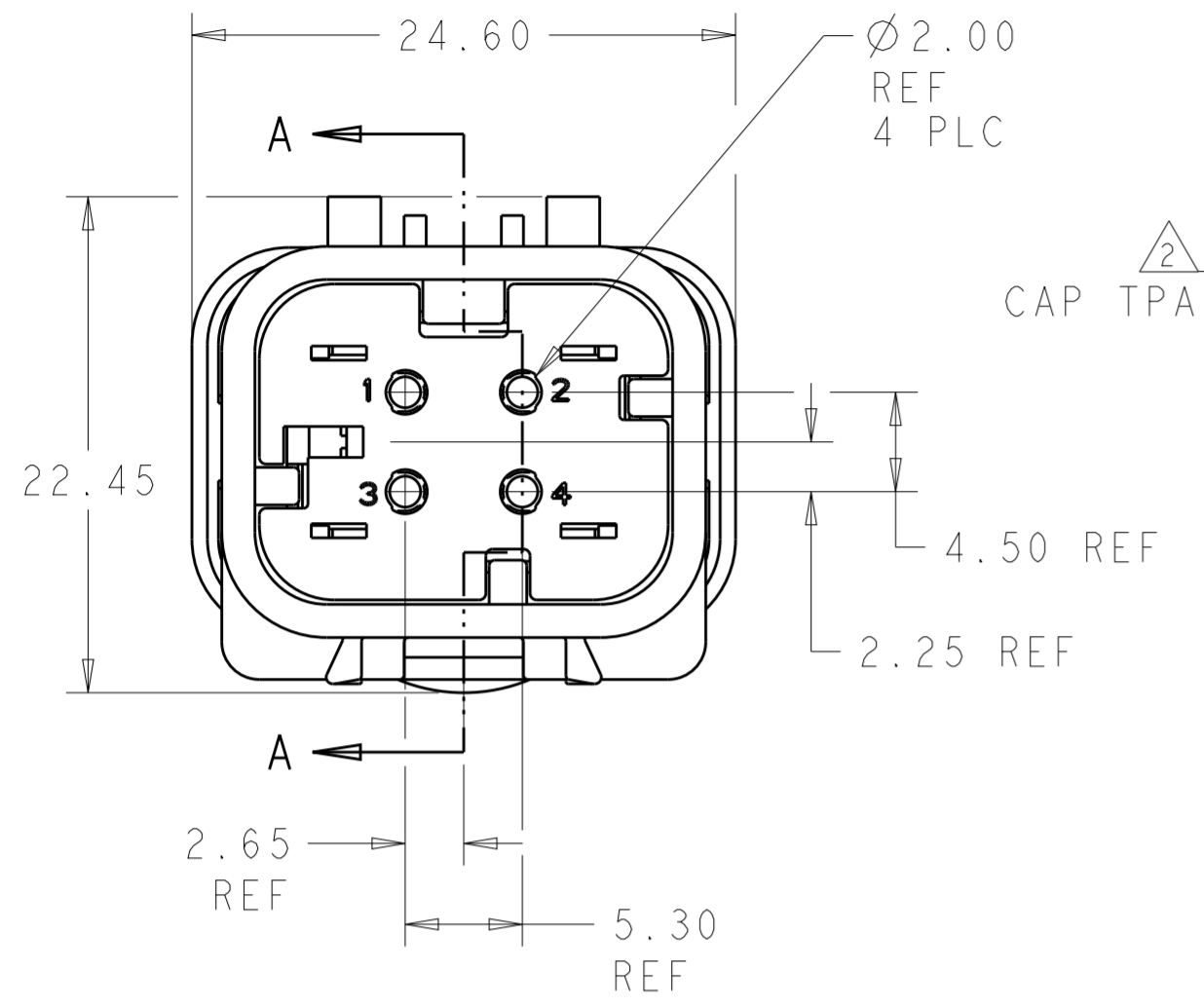


THIS DRAWING IS UNPUBLISHED
 RELEASED FOR PUBLICATION
 20
 COPYRIGHT 20 BY - ALL RIGHTS RESERVED.

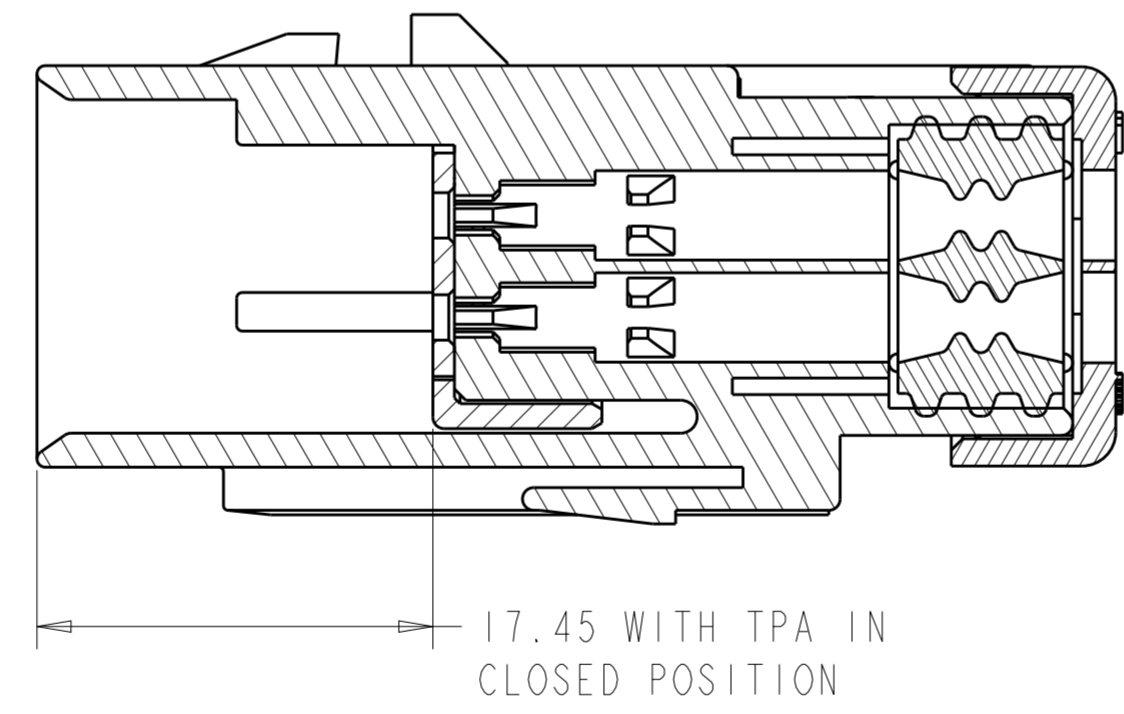
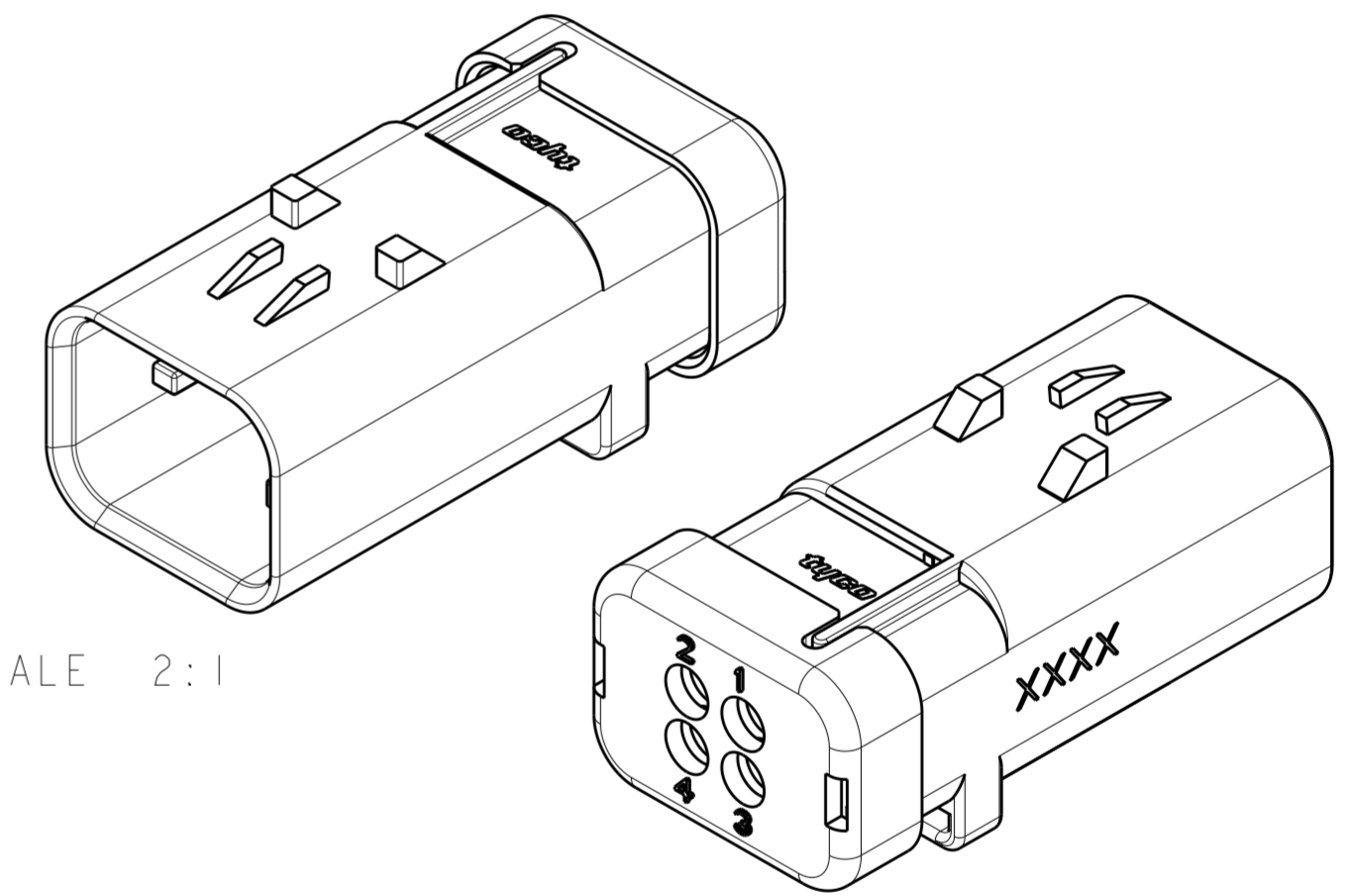
REVISIONS					
P	LTR	DESCRIPTION	DATE	DWN	APVD
A		RELEASED PER ECO-09-026562	30NOV2009	DD	RB
B		REVISED PER ECO-13-019865	27DEC2013	DR	RB



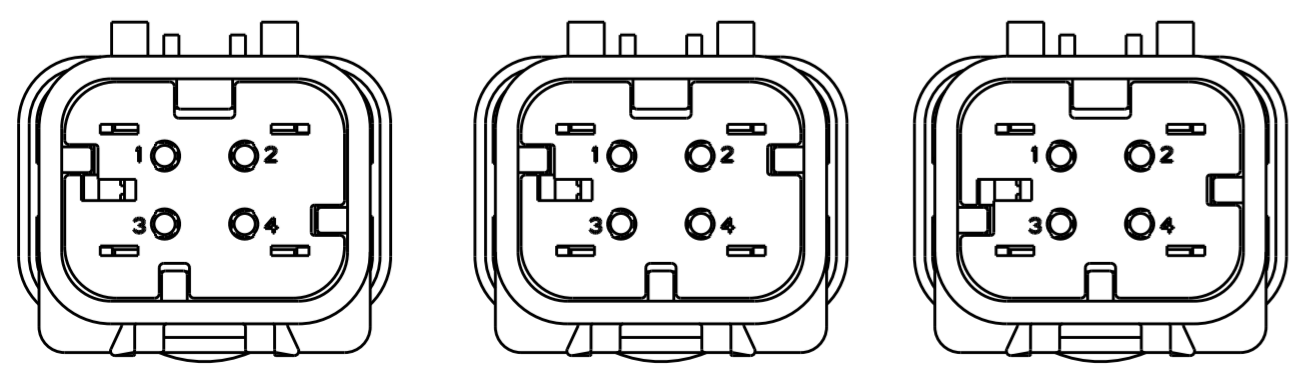
- ① HOUSING AND COVER MATERIAL: 25% GLASS FILLED THERMOPLASTIC; COLOR: NATURAL (BROWN)
- ② TPA MATERIAL: 20% GLASS FILLED THERMOPLASTIC, COLOR: (SEE TABLE)
- ③ WIRE SEAL MATERIAL: SILICONE COLOR: GREEN
- 4. RECOMMENDED WIRE DIAMETER RANGE IS 2.18 TO 3.67mm

2035379-1 SHOWN
 ORANGE TPA
 KEY A

SECTION A-A
 OPEN POSITION



SECTION A-A
 CLOSED POSITION



2035379-2 PURPLE TPA KEY B SCALE 2:1
 2035379-3 BLUE TPA KEY C SCALE 2:1
 2035379-4 TAN TPA KEY D SCALE 2:1

D	TAN	2035379-4
C	BLUE	2035379-3
B	PURPLE	2035379-2
A	ORANGE	2035379-1
KEY	TPA COLOR	PART NUMBER

THIS DRAWING IS A CONTROLLED DOCUMENT.		DWN 14 JUL 2009 RUSTY WORTHINGTON	TE Connectivity	
		CHK 14 JUL 2009 ROGER BALTER		
		APVD 14 JUL 2009 ROGER BALTER	NAME	
DIMENSIONS: mm		TOLERANCES UNLESS OTHERWISE SPECIFIED:	CAP ASSEMBLY, 4 POSITION, DUAL ROW, AMPSEAL 16 VO MATERIAL	
		0 PLC ± 1 PLC ±0.5 2 PLC ±0.30 3 PLC ± 4 PLC ±	PRODUCT SPEC 108-2184	
MATERIAL		ANGLES ±1° FINISH	APPLICATION SPEC 114-13065	
① ② ③			WEIGHT 14±1g	
			CUSTOMER DRAWING	
			SIZE A2	CAGE CODE 00779
			DRAWING NO C-2035379	RESTRICTED TO
			SCALE 3:1	SHEET 1 OF 1 REV B

单击下面可查看定价，库存，交付和生命周期等信息

[>>TE Connectivity\(泰科\)](#)