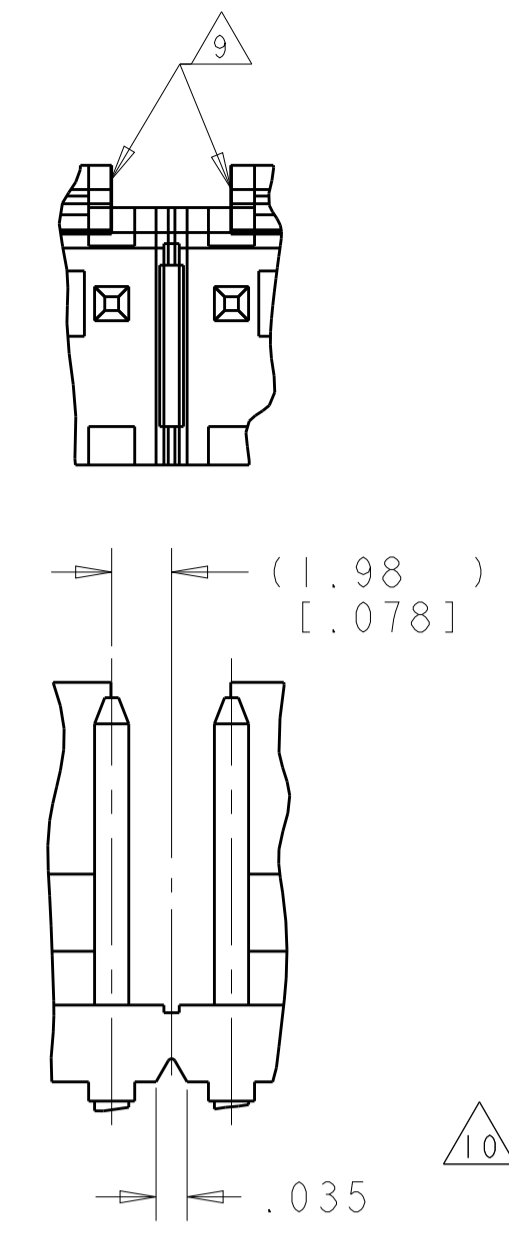
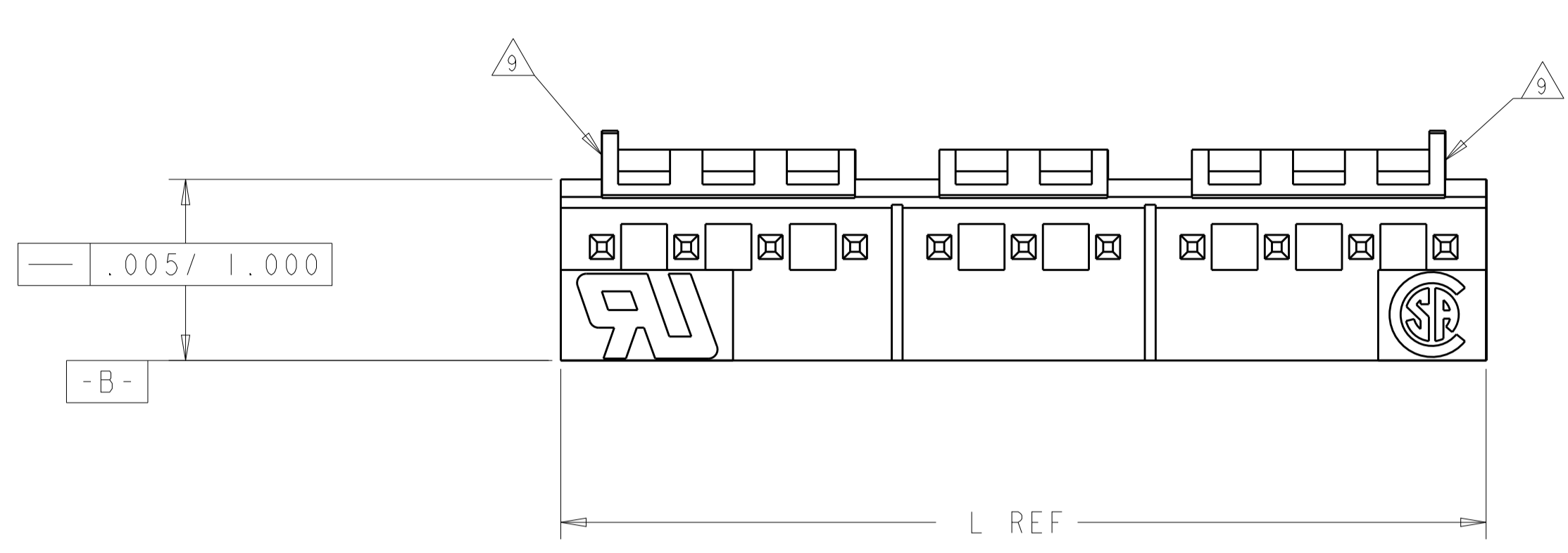
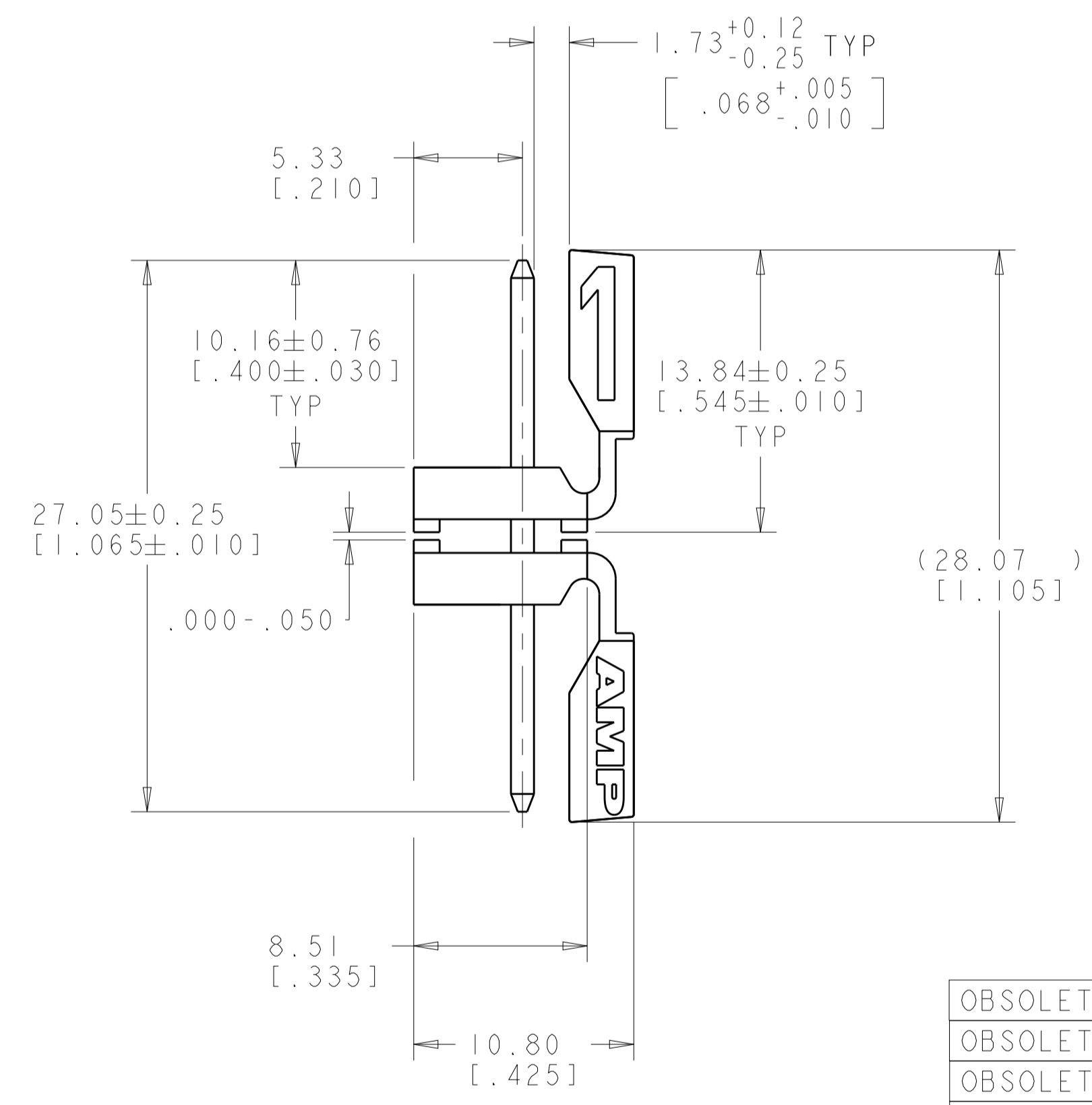
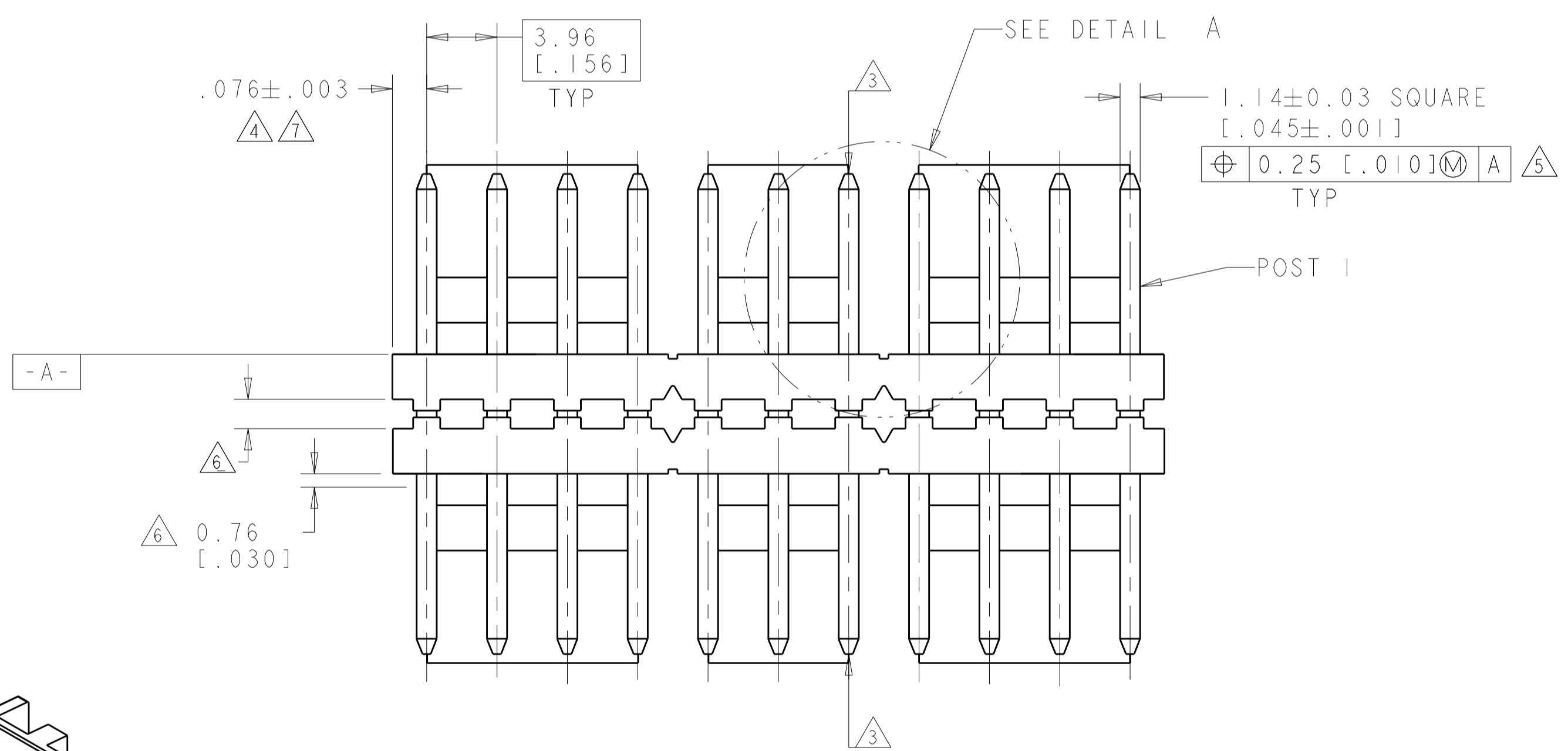


LOC	DIST	REVISIONS					
CM	00	P	LTN	DESCRIPTION	DATE	DWN	APVD
		B		REVISED PER ECO-19-015247	08OCT2019	RS	SW

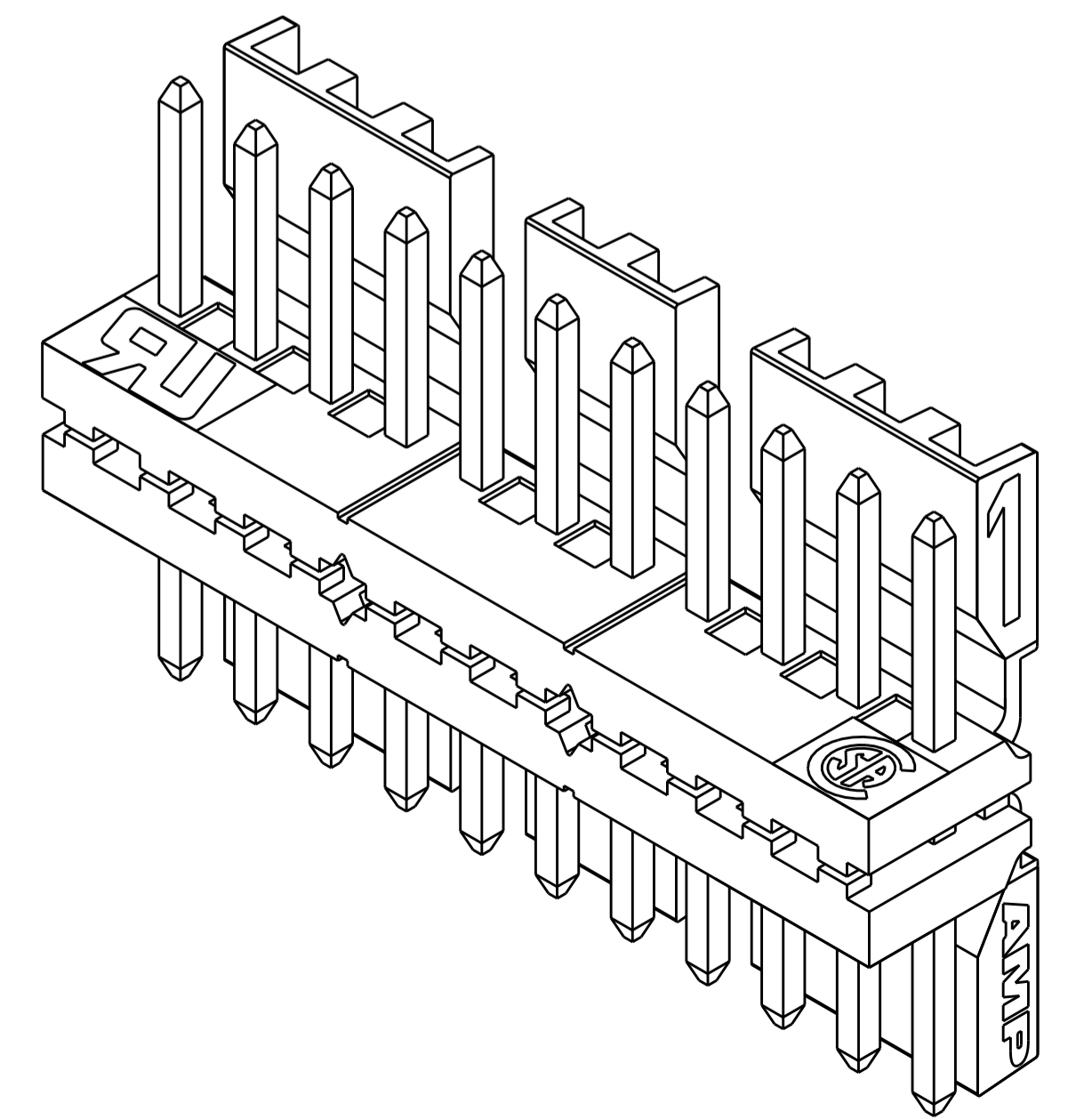


DETAIL A
 SCALE 4:1
 FEATURES ARE TYPICAL
 FOR P/N 1744001-6 THRU 1-1744001-1

- 1 MATERIAL- HOUSING: THERMOPLASTIC POLYESTER, GLASS FILLED, UL94V-0. POST: COPPER ALLOY.
- 2 FINISH- HOUSING: NATURAL. POST: BRIGHT TIN PLATE, 0.00380-0.00880 [.000150-.000350] THK OVER NICKEL UNDERPLATE, 0.00130 [.000050] MIN THK.
- 3 POSTS TO WITHSTAND 13.34 N (3 LBS) MIN AXIAL FORCE IN EITHER DIRECTION WITHOUT DISLODGING.
- 4 APPLIES AT -A-.
- 5 APPLIES WHEN HEADER IS STRAIGHT.
- 6 PLASTIC PROJECTIONS PERMITTED IN THIS ZONE.
- 7 COORDINATE DIMENSION APPLIES FROM CENTER OF THE ACTUAL FEATURE.
- 8. DIMENSIONS IN BRACKETS ARE IN INCHES.
- 9 EDGE OF POLARIZING LOCK WALL TO BE IN LINE WITH CENTERLINE OF ADJACENT POST WITHIN ±0.13 [.005].
- 10 NOTCH SHOWN MAY OR MAY NOT APPEAR.

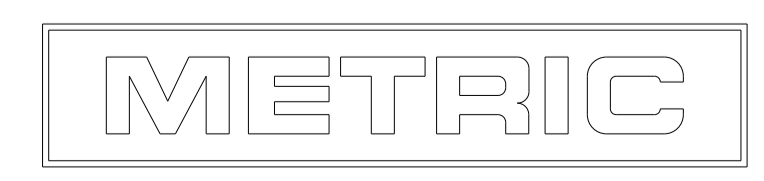


1-1744001-1 SHOWN



	L DIM	NO OF POSN	PART NO
OBSOLETE	47.42 [.1867]	12	1-1744001-2
OBSOLETE	43.46 [.1711]	11	1-1744001-1
OBSOLETE	39.50 [.1555]	10	1-1744001-0
OBSOLETE	35.53 [.1399]	9	1744001-9
OBSOLETE	31.57 [.1243]	8	1744001-8
OBSOLETE	27.61 [.1087]	7	1744001-7
	23.65 [.0931]	6	1744001-6
	19.69 [.0775]	5	1744001-5
	15.72 [.0619]	4	1744001-4
	11.76 [.0463]	3	1744001-3
	7.80 [.0307]	2	1744001-2

DIMENSIONS: mm [INCHES]		TOLERANCES UNLESS OTHERWISE SPECIFIED: 0 PLC ± 1 PLC ±0.13 [.005] 2 PLC ± 3 PLC ± 4 PLC ± ANGLES ±30°		DWN R. WHITAKER 1AUG2006 CHK D. BOSSI 1AUG2006 APVD D. BOSSI 1AUG2006		tyco Electronics Tyco Electronics Harrisburg, PA 17105-3608	
MATERIAL: △		FINISH: △		PRODUCT SPEC:		NAME: MTA-156 INLINE SPLICE, POLARIZED LOCK, .045 SQUARE, TIN, SPECIAL	
CUSTOMER DRAWING		WEIGHT:		SIZE: CAGE CODE: DRAWING NO: 00779 C=1744001		RESTRICTED TO:	
SCALE 4:1		SHEET 1 OF 1		REV B		DATE: 08OCT2019	



单击下面可查看定价，库存，交付和生命周期等信息

[>>TE Connectivity\(泰科\)](#)