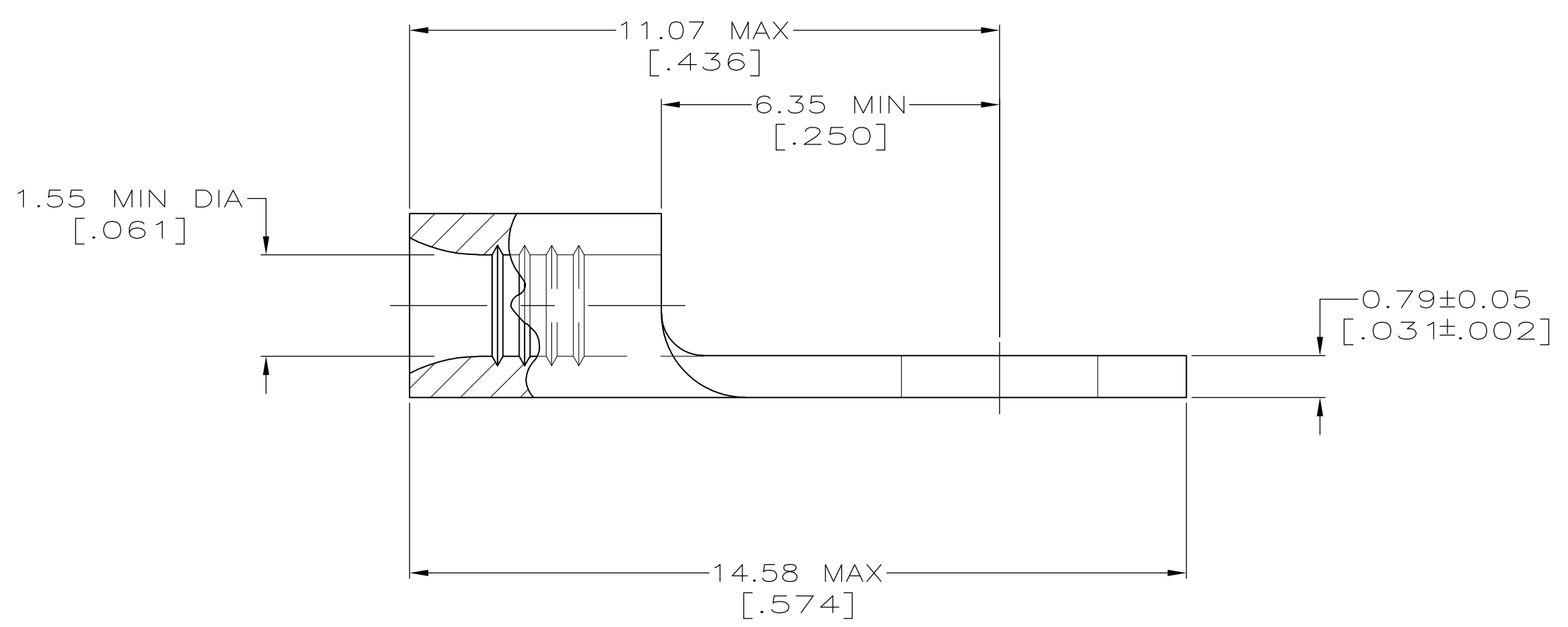
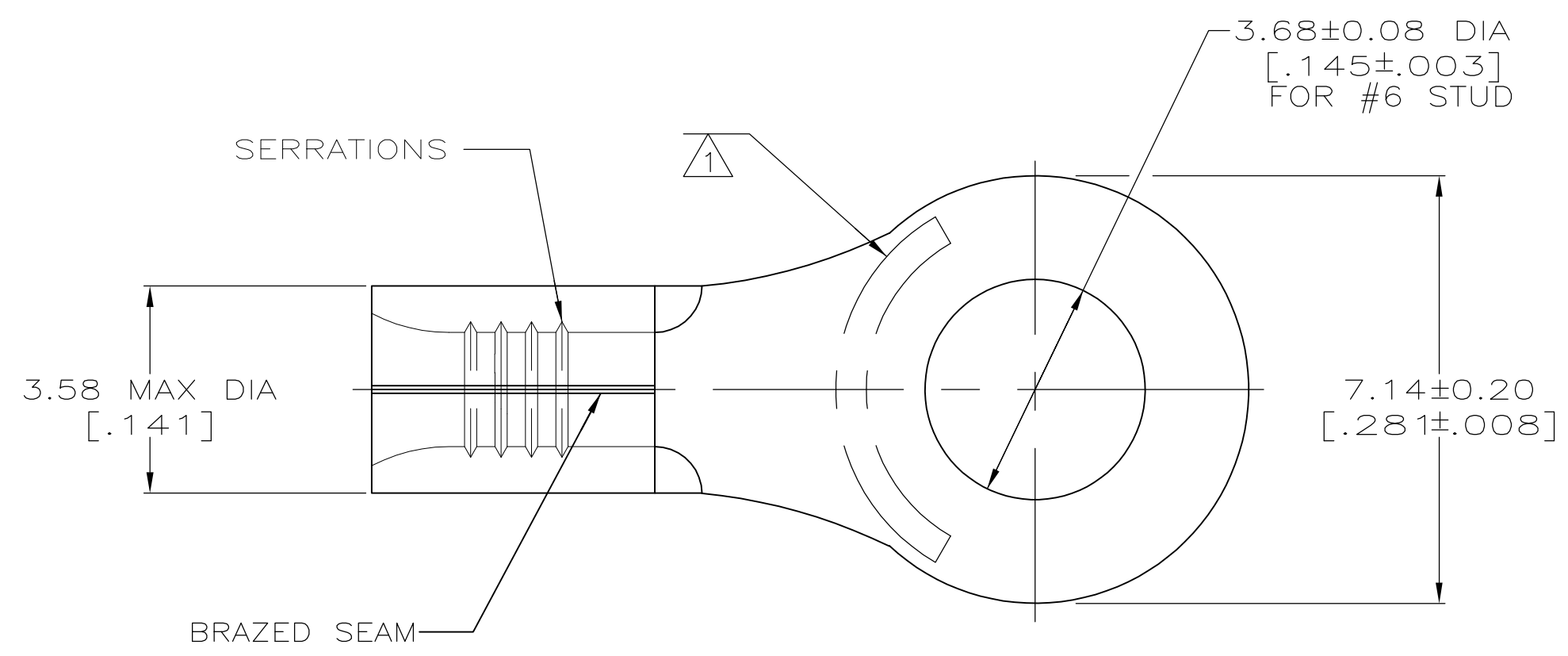


THIS DRAWING IS UNPUBLISHED. RELEASED FOR PUBLICATION  
 © COPYRIGHT - By - ALL RIGHTS RESERVED.

LOC	DIST	REVISIONS					
		P	LTR	DESCRIPTION	DATE	DWN	APVD
G	14	E2		REVISED PER ECO-11-004820	11MAR11	RK	HMR

<b>AMP</b> WIRE RANGE	Listed FILE E13288
22-16 AWG SOLID OR STRANDED	22-16 AWG SOLID OR STRANDED
LR7189 Certified	MILITARY P/N AND CLASS
22-16 AWG SOLID OR STRANDED	N/A



- ① STAMP AMP 22-18\* APPROX AS SHOWN  
22-16 TERMINALS ARE STAMPED 22-18 IN  
ACCORDANCE WITH MILITARY SPEC MIL-T-7928  
COMMERCIAL WIRE RANGE IS 22-16
- ② 0.00254 [.000100] MIN TIN PER ASTM B-545
- ③ GOLD PLATE 0.00127 [.000050] MIN THK PER  
MIL-G-45204 OVER NICKEL PLATE 0.00076  
[.000030] MIN THK PER QQ-N-290
- ④ CLEANED, UNPLATED
- ⑤ COPPER PER ASTM B-152, ANNEALED

100	LOOSE PIECE, BOX	②	8-34107-1
5000	ON TAPE	②	2-34107-2
-	LOOSE PIECE	④	34107-2
-	LOOSE PIECE	③	34107-1
-	LOOSE PIECE	②	34107
QTY	PACKAGE TYPE	FINISH	PART NO.

<b>CUSTOMER SERVICE SYSTEMS</b>		MAX RECOMMENDED OPERATING TEMPERATURE: 170°C
FOR ADDITIONAL PRODUCT INFORMATION OR COPIES OF DRAWINGS AND TECHNICAL DOCUMENTS	PRODUCT INFORMATION CENTER 1-800-522-6752	VOLTAGE RATING: N/A
FOR APPLICATION TOOLING INFORMATION	TOOLING ASSISTANCE CENTER 1-800-722-1111	CIRCULAR MIL AREA: 0.26-1.65mm <sup>2</sup> [509-3260] SOLID OR STRANDED
FOR ORDER ENTRY	1-800-526-5142	THIS DRAWING IS A CONTROLLED DOCUMENT FOR AMP INCORPORATED. IT IS SUBJECT TO CHANGE AND THE CONTROLLING ENGINEERING ORGANIZATION SHOULD BE CONTACTED FOR THE LATEST REVISION.

THIS DRAWING IS A CONTROLLED DOCUMENT.		DWN TA BRINKMAN 3-10-93	TE Connectivity	
DIMENSIONS: MM [ INCHES ]		CHK DA PATTERSON 3-10-93		
TOLERANCES UNLESS OTHERWISE SPECIFIED:		APVD JL MECKLEY 3-10-93	NAME TERMINAL, RING TONGUE, SOLISTRAND	
0 PLC ± - 1 PLC ± - 2 PLC ± - 3 PLC ± - 4 PLC ± - ANGLES ± -		PRODUCT SPEC -	SIZE A2	
MATERIAL -		FINISH SEE TABLE	CAGE CODE 00779	DRAWING NO C-34107
		WEIGHT -	RESTRICTED TO -	SCALE 10:1
		CUSTOMER DRAWING	SHEET 1 of 1	REV E2

单击下面可查看定价，库存，交付和生命周期等信息

[>>TE Connectivity\(泰科\)](#)