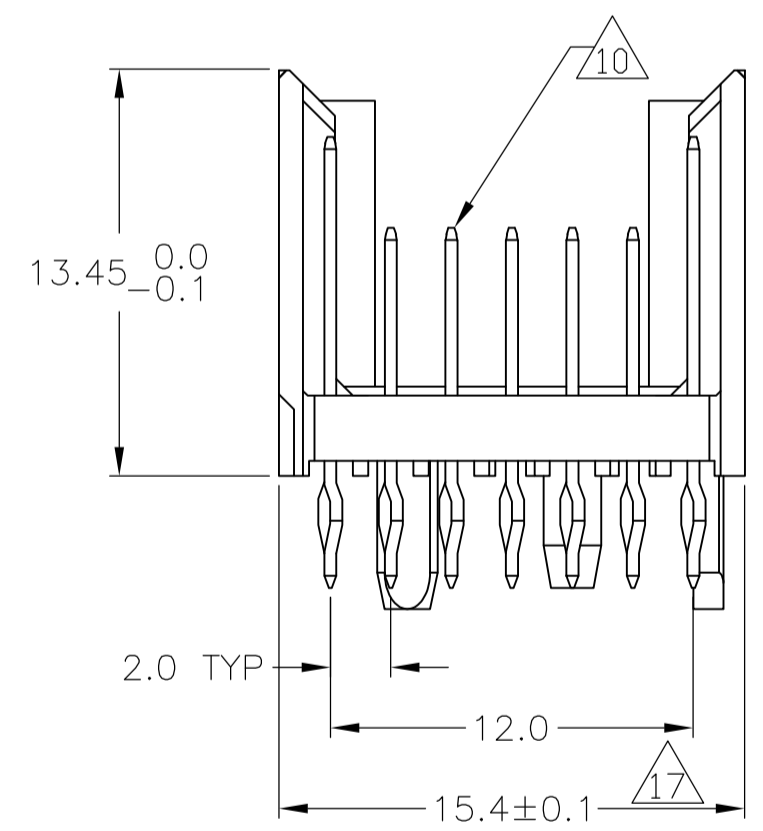
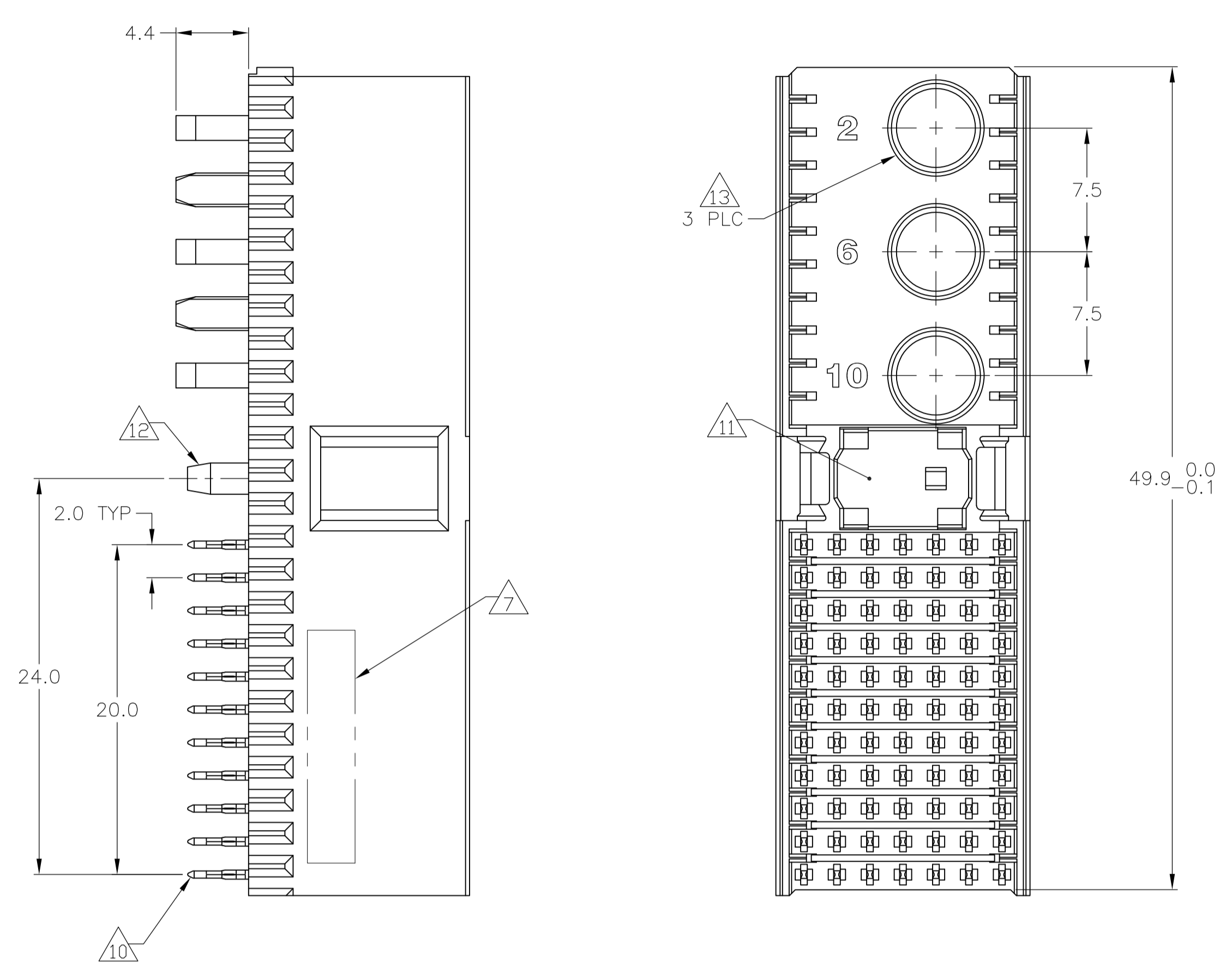
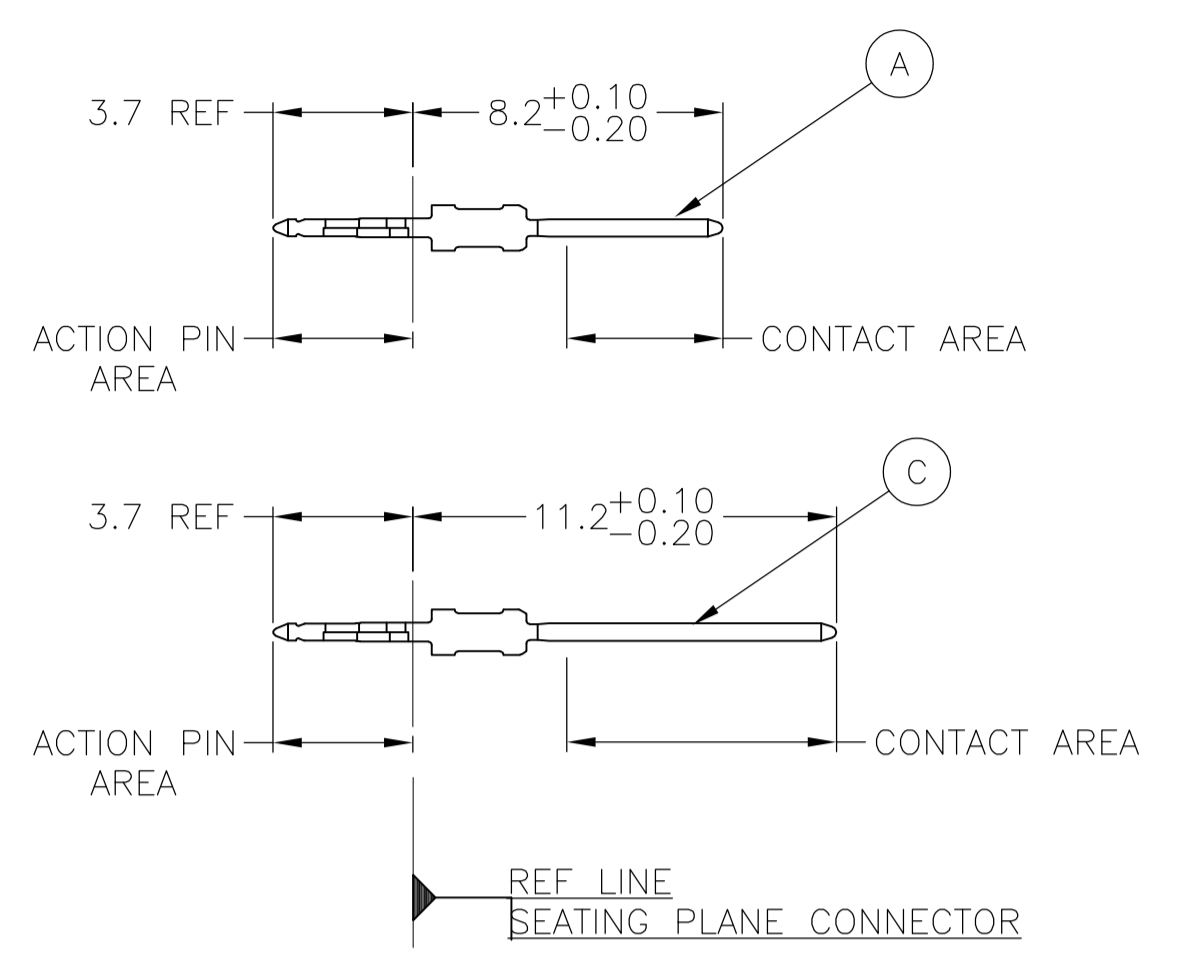


LOC	DIST	REVISIONS			
AD	00	REV	DESCRIPTION	DATE	BY
		A1	REV PER ECR-10-00662	18JAN2010	JY SY
		B	ECR-10-019054	15SEP10	DP MQW
		C	ECR-12-009864	03DEC12	SY AC

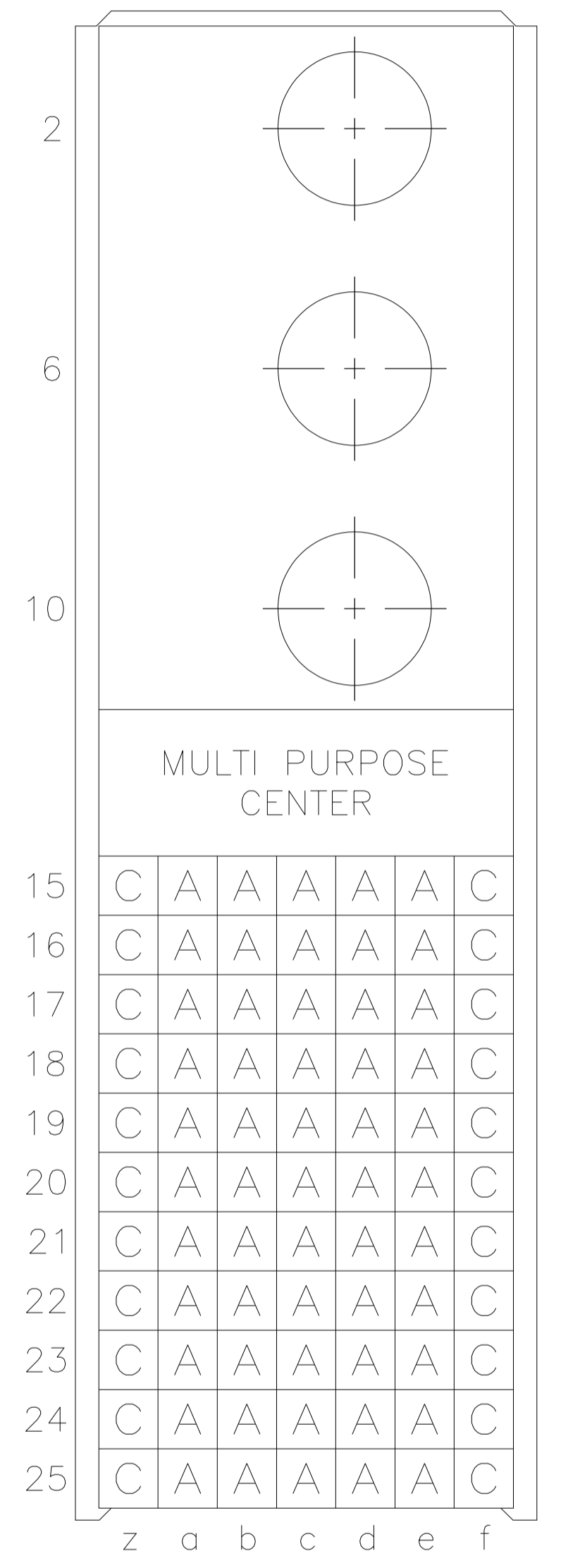
### CONNECTOR ASSEMBLY EXAMPLARY LOADED $\Delta$ 9



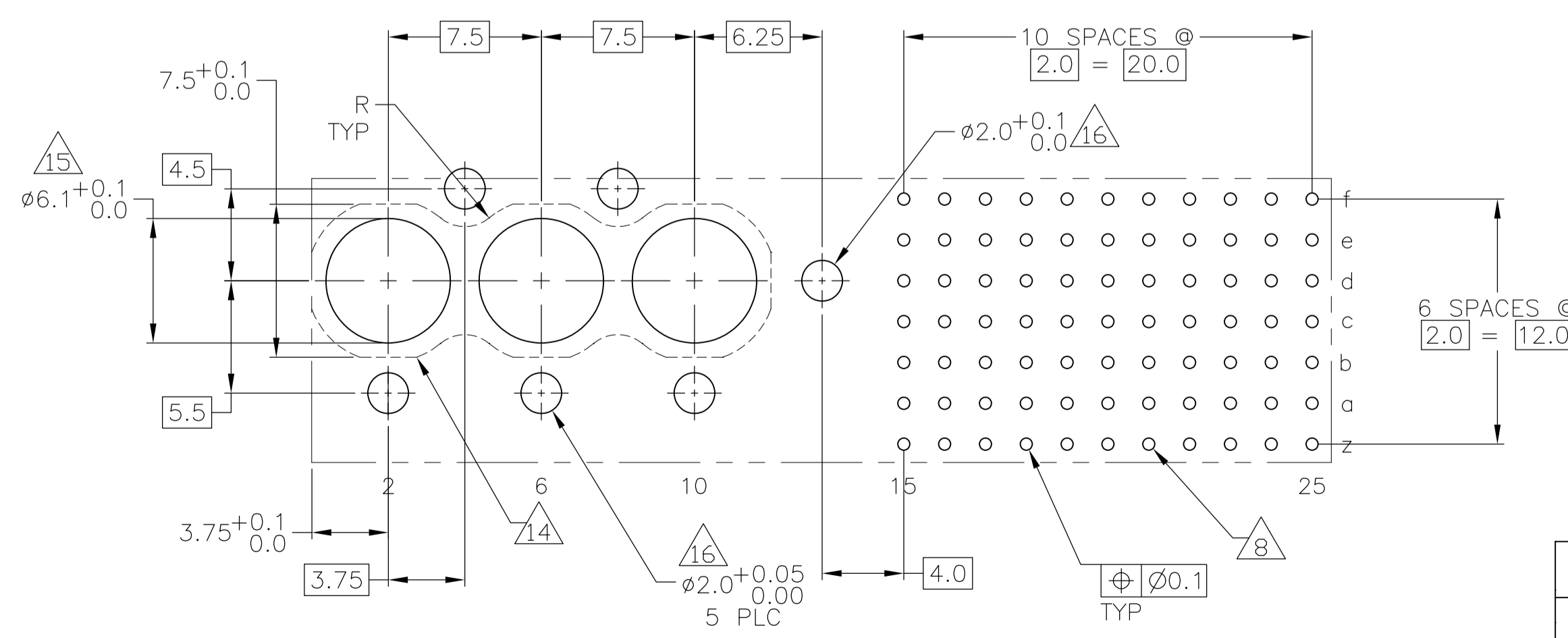
### CONTACT DIMENSIONS SCALE 5:1



### CONTACT LAYOUT



### RECOMMENDED PCB-HOLE LAYOUT COMPONENT SIDE SHOWN



### PLATED THRU HOLES PARAMETERS REFERENCE APPLICATION SPECIFICATION

REV	DESCRIPTION	PART NUMBER	
2	3	19	3-352049-0
2	6	18	1-352049-9
2	5	18	352049-9
2	4	4	352049-4
2	3	3	352049-1
OBSOLETE			
FINISH		PART NUMBER	

THIS DRAWING IS A CONTROLLED DOCUMENT.

DIMENSIONS: mm	TOLERANCES UNLESS OTHERWISE SPECIFIED:	DIN B CARBO 06DEC05	APPROVED G SKIPPER 06DEC05	NAME	Tyco Electronics Corporation Harrisburg, Pa 17105-3608
$\phi$	0-PLC ±	APPROVED G SKIPPER 06DEC05	NAME	MALE ASSEMBLY, Z-PACK 2mm HM, TYPE M	
$\phi$	1-PLC ±	PRODUCT SPEC	108-19082		
$\phi$	2-PLC ±0.2	APPLICATION SPEC	114-19029	SIZE	CAGE CODE DRAWING NO
$\phi$	3-PLC ±0.005	WEIGHT	A1	00779	352049
$\phi$	4-PLC ±	CUSTOMER DRAWING	SCALE	4:1	SHEET 1 OF 2
$\phi$	ANGLES ±0.30°				REV C

LOC		DIST		REVISIONS			
IF	LTR	DESCRIPTION	DATE	DRN	APPR		
AD	00	SEE SHEET 1					

- 1 MATERIAL:  
CONTACT: PHOSPHOR BRONZE.  
HOUSING: GLASS-FILLED POLYESTER.
- 2 GENERAL PLATING SPECIFICATION: UNDERPLATING  
(ENTIRE CONTACT): 1.27µm MIN NICKEL AND ACTION  
PIN: 0.5µm MIN TIN/LEAD.  
FOR PLATING OF MATING SURFACES SEE APPLICABLE  
SPECIFICATION REFERENCE FOR EACH DASH NUMBER.
- 3 CONFORMS TO ALL TESTING ACCORDING TO IEC 61076-4-101  
PERFORMANCE LEVEL 2.
- 4 CONFORMS TO ALL TESTING ACCORDING TO IEC 61076-4-101  
PERFORMANCE LEVEL 1.
- 5 CONNECTOR TESTED AND QUALIFIED AGAINST TELCORDIA GR-1217-CORE QUALITY LEVEL 3,  
CENTRAL OFFICE APPLICATIONS.
- 6 CONNECTOR TESTED AND QUALIFIED AGAINST TELCORDIA GR-1217-CORE QUALITY LEVEL 3,  
UNCONTROLLED ENVIROMENT APPLICATIONS.
- 7 CONNECTOR MARKED WITH PART NUMBER AND DATE CODE.  
ADDITIONAL CHARACTERS OR MARKINGS, AS WELL AS THE LOCATION  
OF THE MARKINGS, MAY BE ADDED FOR TRACEABILITY BASED UPON  
MANUFACTURERS DISCRETION.
- 8 PLATED-THROUGH HOLES AT 2x2mm SQUARE GRID  
PATTERN DEFINED BY CONTACT LAYOUT.
- 9 FOR ACTUAL PIN LOADING SEE "CONTACT LAYOUT".
- 10 FOR ACTUAL PIN DIMENSIONS SEE "CONTACT DIMENSIONS".
- 11 AREA RESERVED FOR KEYING PART (BASIC P/N 100525).
- 12 POLARIZATION FEATURE.
- 13 CONTACT CAVITIES SUITABLE FOR Ø4.8 HIGH CURRENT, HIGH FREQUENCY OR  
FIBRE OPTIC CONTACTS AS PER DIN 41626 (SEE ALSO NOTE 14 AND 15).
- 14 PATERN FOR FIBRE OPTIC CONTACTS.
- 15 NOT PLATED THROUGH HOLES. TO BE REPLACED BY Ø5.9<sup>+0.1</sup><sub>0.0</sub> PLATED THOUGH  
HOLES IF STRAIGHT SOLDER CONTACTS ARE APPLIED.
- 16 NOT PLATED THROUGH HOLES.
- 17 TO BE MEASURED AT BOTTOM OF SHROUD.
- 18 CONNECTOR LUBRICATED WITH TELCORDIA APPROVED LUBRICANT,  
TECHNICAL REFERENCE: TR-NWT-001217 ISSUE 1, SEP 1992.
- 19 0.76µm MIN GOLD PLATING AT MATING SURFACES.

THIS DRAWING IS A CONTROLLED DOCUMENT.		DWN B. CARBO	060605	Tyco Electronics Corporation Harrisburg, Pa 17105-3608	
DIMENSIONS: mm		CHK G. SKIPPER	060605	NAME MALE ASSEMBLY, Z-PACK 2mm HM, TYPE M	
TOLERANCES UNLESS OTHERWISE SPECIFIED:		APPR G. SKIPPER	060605	PRODUCT SPEC 108-19082	
0-PLG ±				APPLICATION SPEC 114-19029	
1-PLG ±0.2				SIZE A1	
2-PLG ±0.02				CAGE CODE 00779	
3-PLG ±0.005				DRAWING NO 352049	
4-PLG ±				RESTRICTED TO -	
ANGLES ±0.30°				WEIGHT -	
FINISH SEE SHEET 1				SCALE 4:1	
MATERIAL SEE SHEET 1				SHEET 2 OF 2	
				REV C	

单击下面可查看定价，库存，交付和生命周期等信息

[>>TE Connectivity\(泰科\)](#)