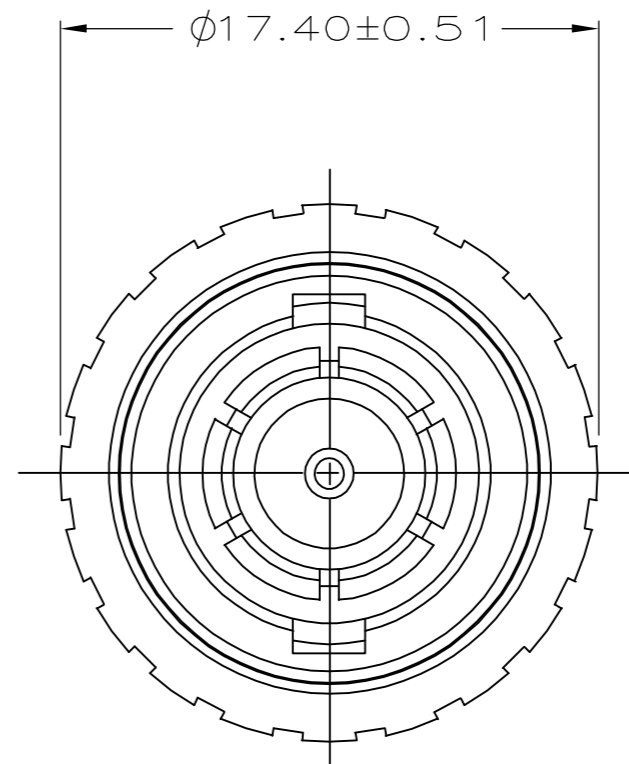
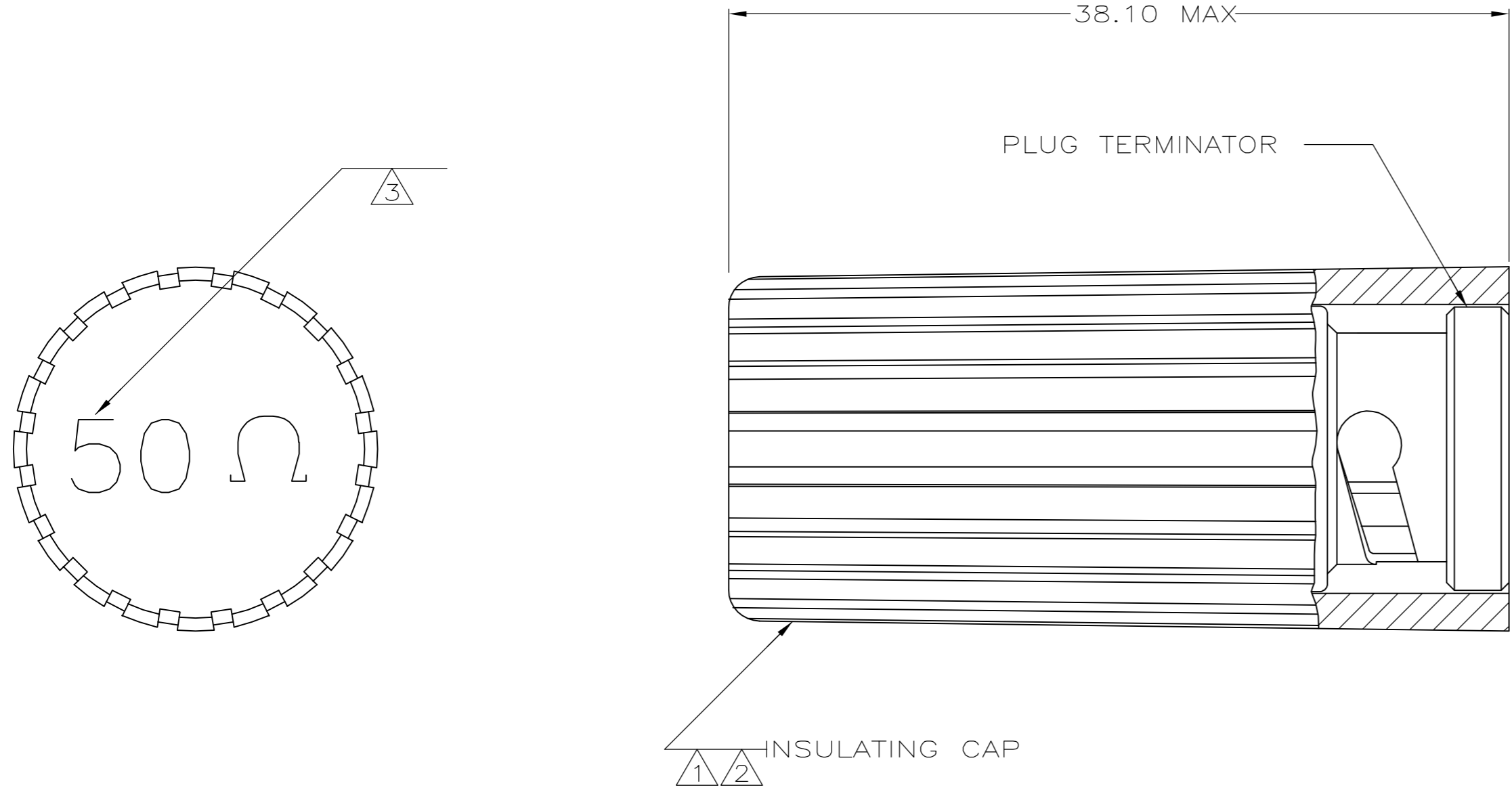


THIS DRAWING IS UNPUBLISHED. RELEASED FOR PUBLICATION
 © COPYRIGHT BY TYCO ELECTRONICS CORPORATION. ALL RIGHTS RESERVED.

LOC	DIST	REVISIONS			
P	LTR	DESCRIPTION	DATE	DWN	APVD
AJ	16	B1	REVISED PER ECO-05-015912	31MAR2006	KS JH



- △1 POLYPHENYLENE OXIDE, COLOR: GRAY
- △2 POLYPHENYLENE OXIDE, COLOR: BLACK
- △3 RESISTOR VALUE IS MOLDED IN INSULATING CAP
- 4 RESISTOR SPECIFICATIONS:
 - A. 1/2 WATT
 - B. 1% TOLERANCE
 - C. 50 Ohm
- △5 SAME AS 413557-1 EXCEPT PACKAGED 5 PER BOX

△5	OBSOLETE	△1	413557-3
		△2	413557-2
	OBSOLETE	△1	413557-1
		FINISH	PART NUMBER

THIS DRAWING IS A CONTROLLED DOCUMENT.		DWN P. KERLIN 10/19/90	Tyco Electronics Corporation Harrisburg, PA 17105-3608
DIMENSIONS: mm [INCHES]		CHK J.L.GROFT 10-25-90	
TOLERANCES UNLESS OTHERWISE SPECIFIED:		APVD J. DUNBAR 10-25-90	NAME
0 PLC ± -		PRODUCT SPEC	TERMINATOR, PLUG, INSULATED, 50 Ohm, COMMERCIAL BNC
1 PLC ± -		APPLICATION SPEC	SIZE CAGE CODE DRAWING NO RESTRICTED TO
2 PLC ± -		WEIGHT	A2 00779 C=413557
3 PLC ± -		CUSTOMER DRAWING	SCALE 4:1 SHEET 1 of 1 REV B1
4 PLC ± -			
ANGLES ± -			
FINISH			

413557

A

单击下面可查看定价，库存，交付和生命周期等信息

[>>TE Connectivity\(泰科\)](#)