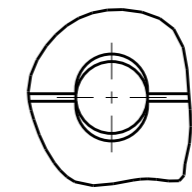
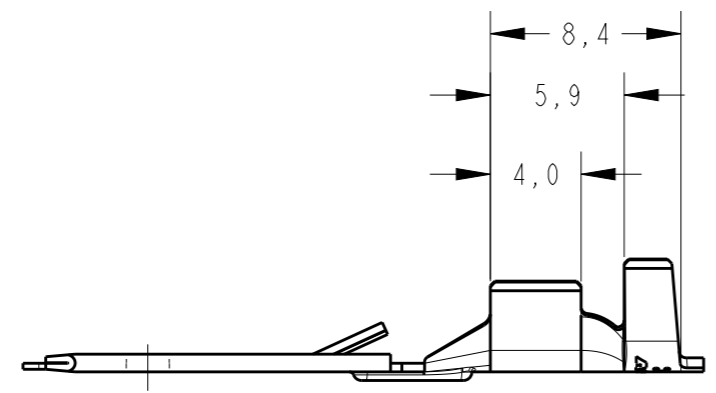
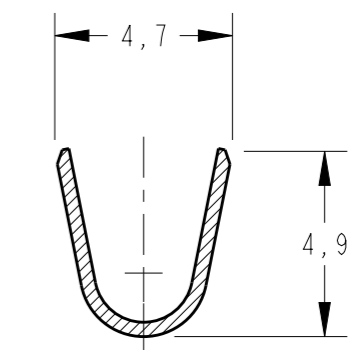
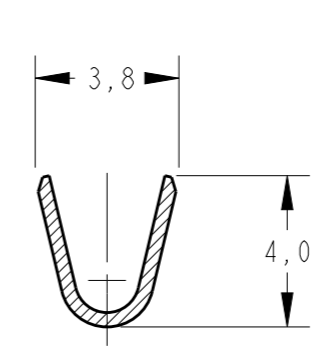
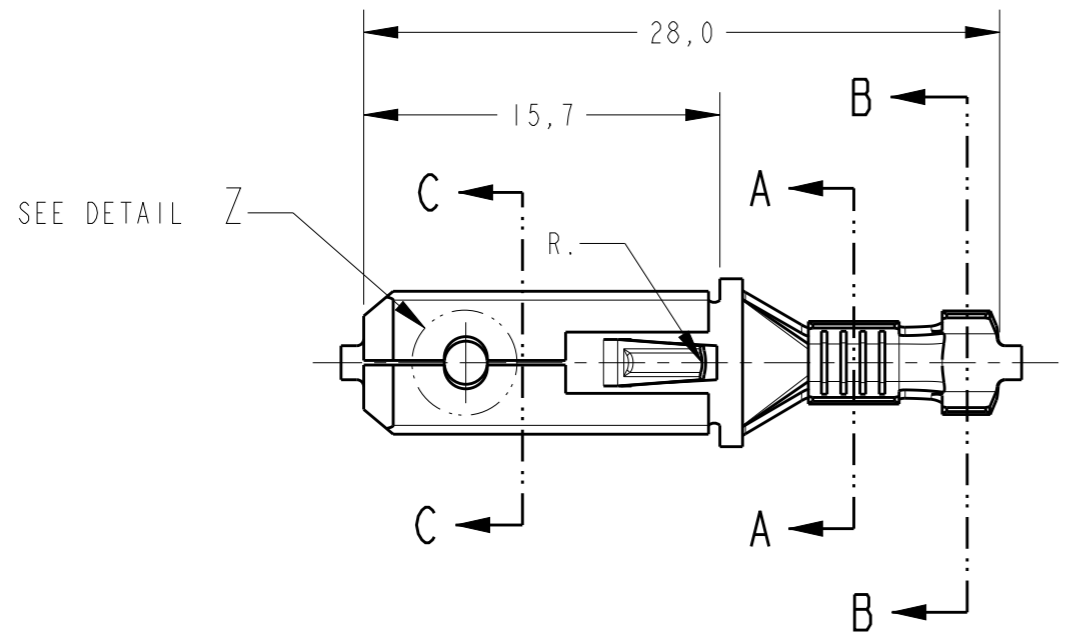
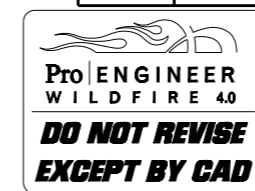


LOC AP DIST -

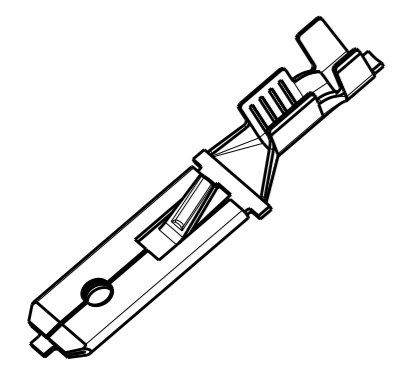
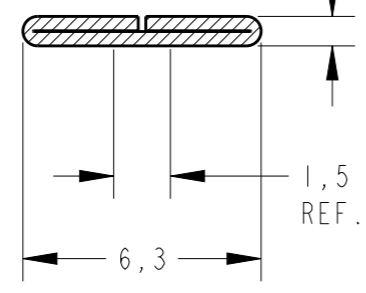
REVISIONS

P	LTR	DESCRIPTION	DATE	DWN	APVD
B1		REDRAW BY CAD ECO-12-014149	17AUG2012	NCL	DAO
B2		REVISED BY ECO 16-005803	28JUN2016	HC	WLS



CONSTRUÇÃO OPCIONAL
OPTIONAL CONSTRUCTION

0,8±0,1
 ESPESSURA DA LINGUETA NO
 COMPRIMENTO DE 1,5 ESPECIFICADO
 TAB THICKNESS ON 1,5
 SPECIFIED LENGTH



PERSPECTIVE VIEW
SCALE 2:1

FINISH	MATERIAL	PART NUMBER
OBSOLETE TIN PLATED / ESTANHADO	BRONZE FOSF. / PHOSP. BRONZE	444152 - 4
OBSOLETE	BRONZE FOSF. / PHOSP. BRONZE	444152 - 3
OBSOLETE TIN PLATED / ESTANHADO	LATÃO / BRASS	444152 - 2
	LATÃO / BRASS	444152 - 1

WIRE RANGE (mm ²)	>1,0-2,5mm ²
INSUL. RANGE (Ømm)	2,1-2,9mm

THIS DRAWING IS A CONTROLLED DOCUMENT.		DWN NCLAPRESA 11 JUL 2012
DIMENSIONS: mm		CHK JRGOLDSCHMIDT 11 JUL 2012
TOLERANCES UNLESS OTHERWISE SPECIFIED:		APVD DAOLIVEIRA 11 JUL 2012
0 PLC ±-	1 PLC ±0,3	PRODUCT SPEC -
2 PLC ±-	3 PLC ±-	APPLICATION SPEC -
4 PLC ±-	ANGLES ±1°	WEIGHT -
MATERIAL SEE TABLE	FINISH SEE TABLE	Customer Drawing

TE TE Connectivity			
NAME -			
TERMINAL FASTIN-FASTON.250 TAB			
SIZE A3	CAGE CODE 00779	DRAWING NO. C-444152	RESTRICTED TO -
SCALE 2:1		SHEET 1 OF 1	REV B2

单击下面可查看定价，库存，交付和生命周期等信息

[>>TE Connectivity\(泰科\)](#)