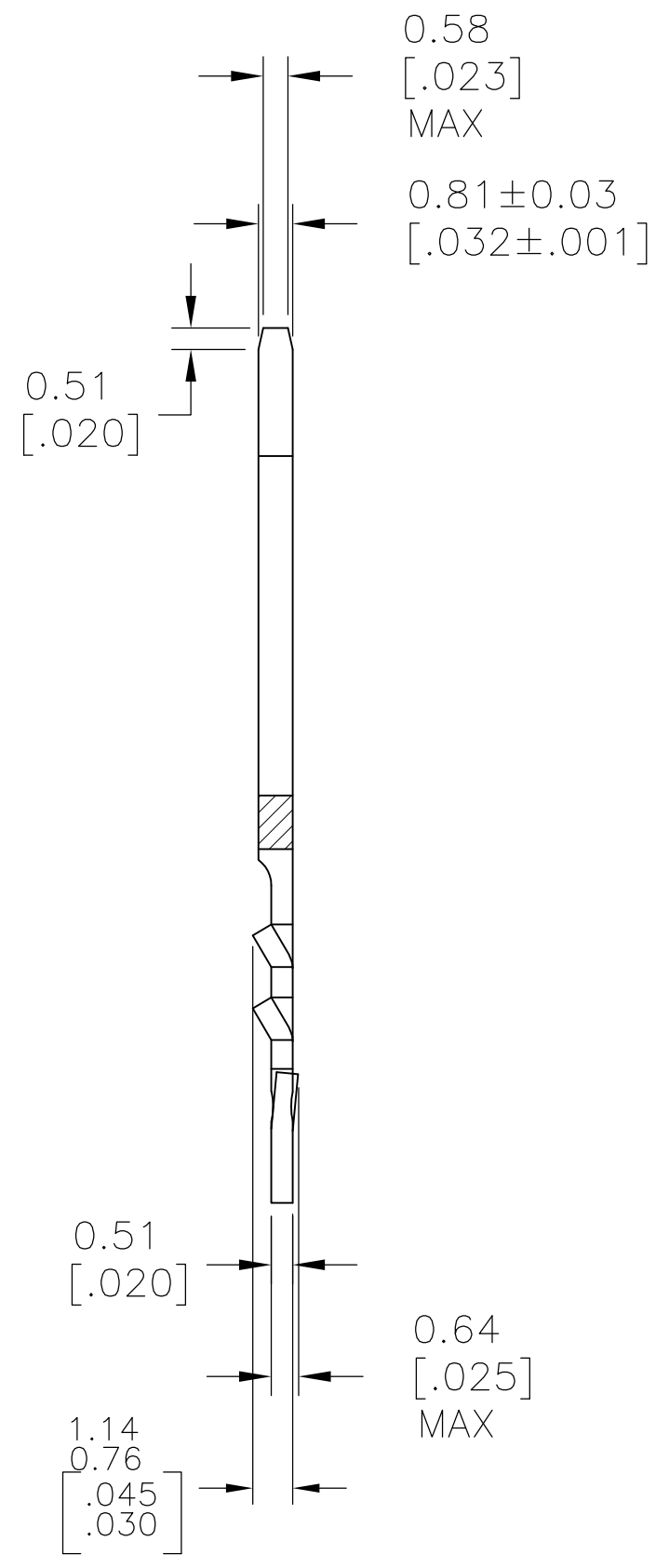
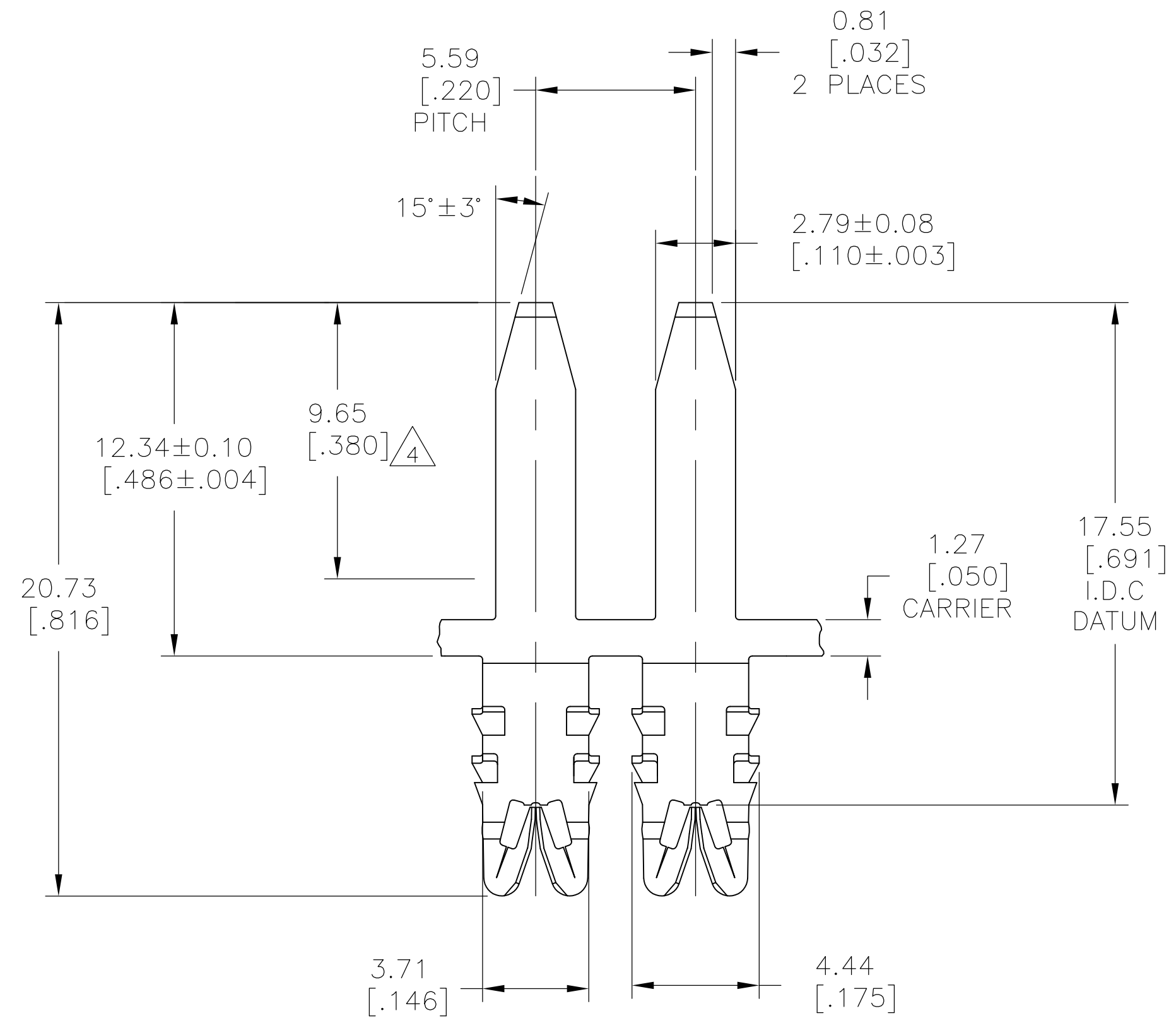
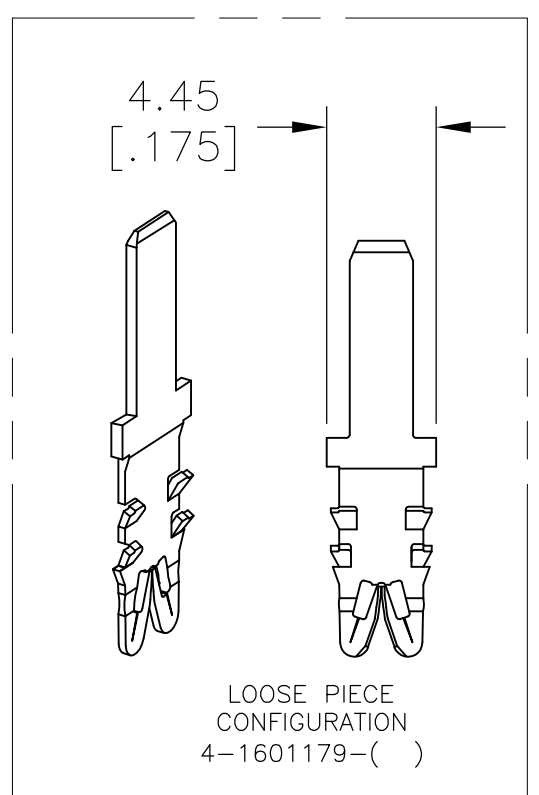


THIS DRAWING IS UNPUBLISHED. RELEASED FOR PUBLICATION
 © COPYRIGHT BY TYCO ELECTRONICS CORPORATION. ALL INTERNATIONAL RIGHTS RESERVED.

LOC	DIST	REVISIONS			
P	LTR	DESCRIPTION	DATE	DWN	APVD
AF	50	D2	REVISED PER ECR-10-006140	07APR10	HMR GJ



- SPECIFICATIONS: MAGNET WIRE #18-#34 AWG, 1.02[.040]-0.16[.006] DIA COPPER.
- POCKET RECOMMENDATION: 1601425.
- TERMINAL APPLICATION TO COMPLY WITH TYCO ELECTRONICS SPECIFICATION 114-13166 FIGURE 9.
- THIS LENGTH TO BE COINED AND FREE OF BURRS.
- PRELIMINARY - NOT FOR PRODUCTION.
- OBsolete PARTS: OBSOLETE CIS STREAMLINING PER D.RENAUD/D.SINISI
- TWO (2) TERMINALS SHOWN FOR ILLUSTRATION PURPOSES ONLY.



6 OBSOLETE	PRE-TIN PLATE	4-1601179-2
	PRE-TIN PLATE	2-1601179-2
	PRE-TIN PLATE	1601179-2
	FINISH	TE PART NUMBER

THIS DRAWING IS A CONTROLLED DOCUMENT.		DWN 24MAR2003 MICHAEL S. FEHER	Tyco Electronics Corporation Harrisburg, PA 17105-3608	
DIMENSIONS: mm [INCHES]	TOLERANCES UNLESS OTHERWISE SPECIFIED:	CHK 25MAR2003 GENE JACONO	NAME	
	0 PLC ± -	APVD 25MAR2003 GENE JACONO	PRODUCT SPEC	
	1 PLC ± -	108-2085	APPLICATION SPEC	
MATERIAL BRASS, 3/4 HARD	FINISH SEE TABLE	WEIGHT -	SIZE A2	CAGE CODE 00779
		CUSTOMER DRAWING	DRAWING NO C=1601179	RESTRICTED TO -
		SCALE 6:1	SHEET 1 OF 1	REV D2

单击下面可查看定价，库存，交付和生命周期等信息

[>>TE Connectivity\(泰科\)](#)