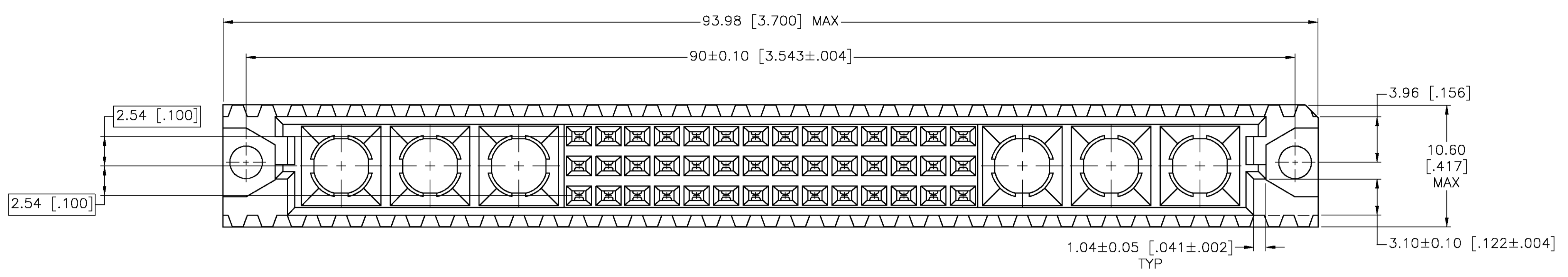
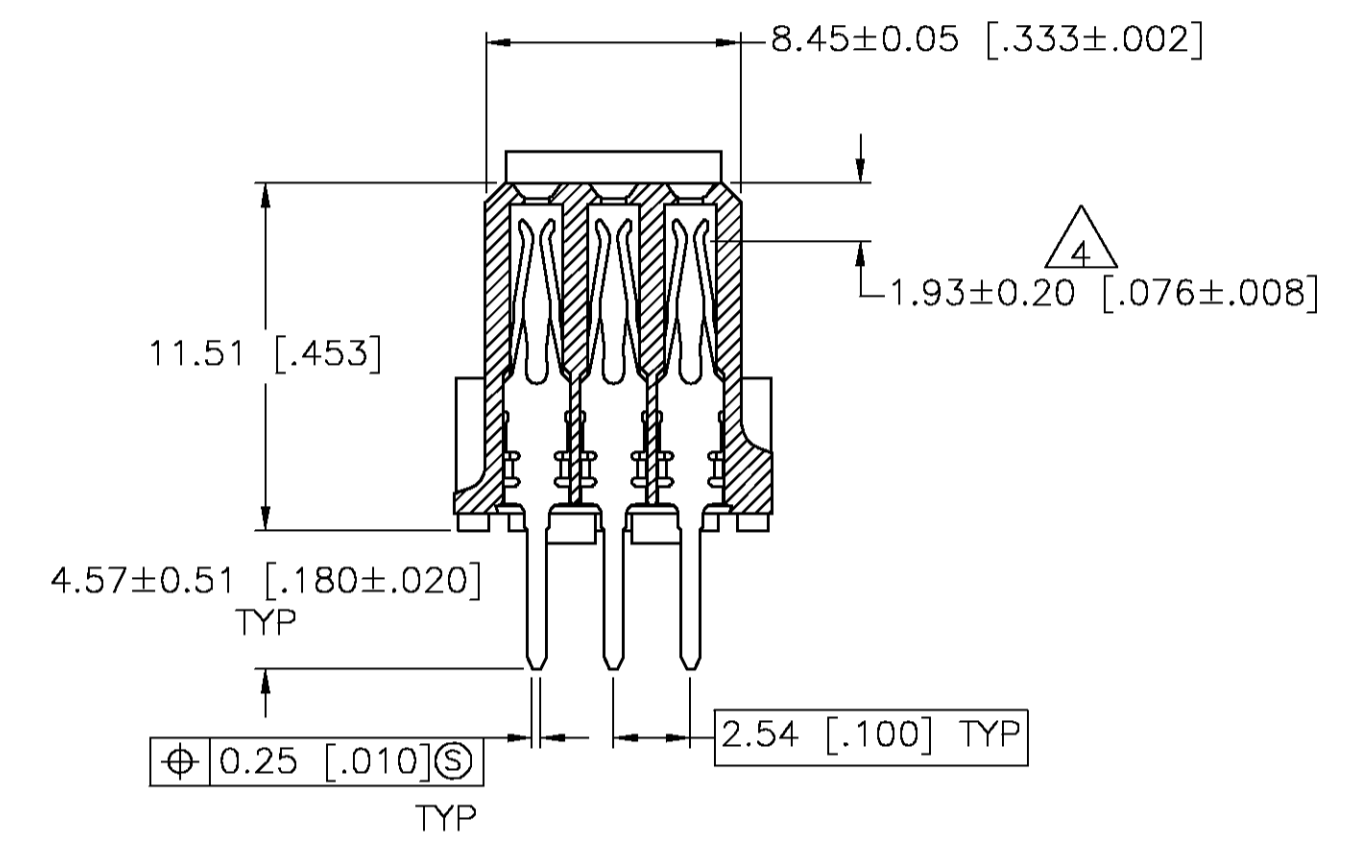
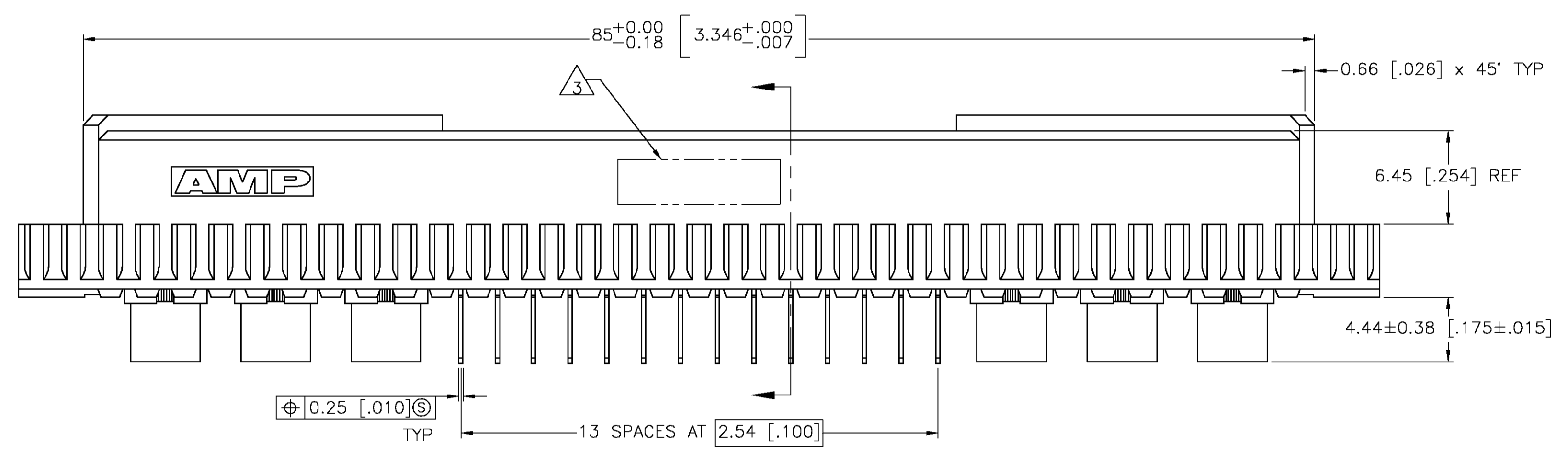


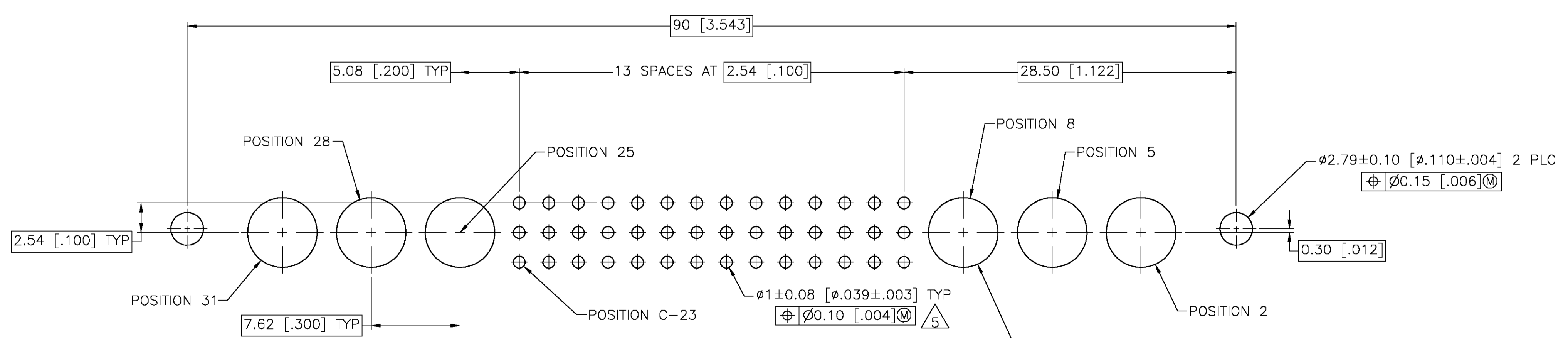
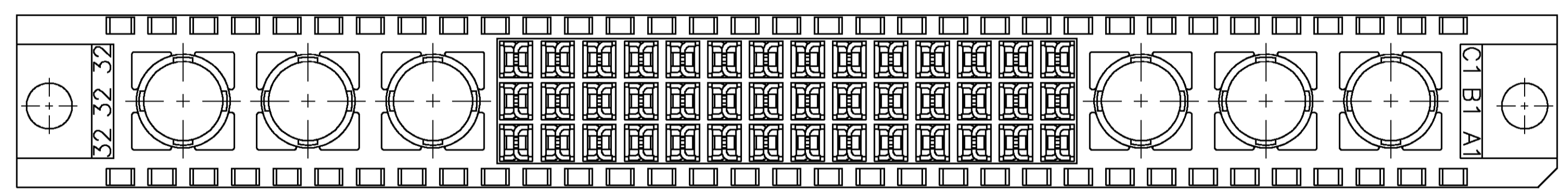
LOC		DIST		REVISIONS			
AD	00	P	LTR	DESCRIPTION	DATE	DN	APVD
		O	REV PER EC	OS12-0251-04	17MAY04	NK	AS



- 1 HOUSING: GLASS-FILLED POLYESTER, GRAY.
SIGNAL CONTACT: PHOSPHOR BRONZE.
POWER CONTACT: COPPER ALLOY.
- 2 SIGNAL CONTACT: DIN 41612 CLASS 1 IN CONTACT AREA.
TIN-LEAD ON TAILS.
POWER CONTACT: DIN 41612 CLASS 1 IN CONTACT AREA.
- 3 PART NUMBER, DATE CODE IDENTIFICATION, CSA LOGO HOT STAMPED THIS APPROXIMATE AREA. OPPOSITE SIDE SHOWN.
- 4 CONTACT POINT, SIGNAL CONTACT.
- 5 RECOMMENDED HOLE SIZE FOR MANUAL APPLICATION OF CONNECTOR ONTO PC BOARD.



POWER CONTACT REMOVED FOR CLARITY



PC BOARD LAYOUT

148686-1
PART NUMBER

THIS DRAWING IS A CONTROLLED DOCUMENT.		DN B. CARBO 23FEB04	23FEB04	tyco Electronics	Tyco Electronics Corporation Harrisburg, Pa 17105-3608	
DIMENSIONS: mm [INCHES]		CHK A. SHARPE 23FEB04	23FEB04		NAME RECEPTACLE ASSEMBLY, EUROCARD, TYPE M, 42 + 6	
TOLERANCES UNLESS OTHERWISE SPECIFIED:		APVD A. SHARPE 23FEB04		PRODUCT SPEC		
0 PLC ± -		APPLICATION SPEC		SIZE		
1 PLC ± -		WEIGHT		CAGE CODE		
2 PLC ± 0.13[.005]		A1		DRAWING NO		
3 PLC ± -		00779		C=148686		
4 PLC ± -		CUSTOMER DRAWING		RESTRICTED TO		
ANGLES ± -		SCALE 4:1		SHEET 1 OF 1		
FINISH		REV 0				

单击下面可查看定价，库存，交付和生命周期等信息

[>>TE Connectivity\(泰科\)](#)