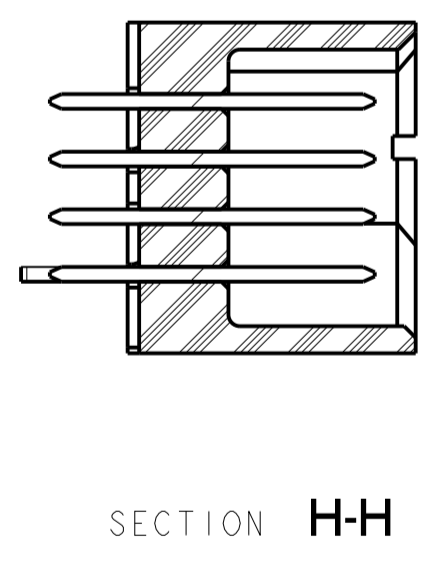
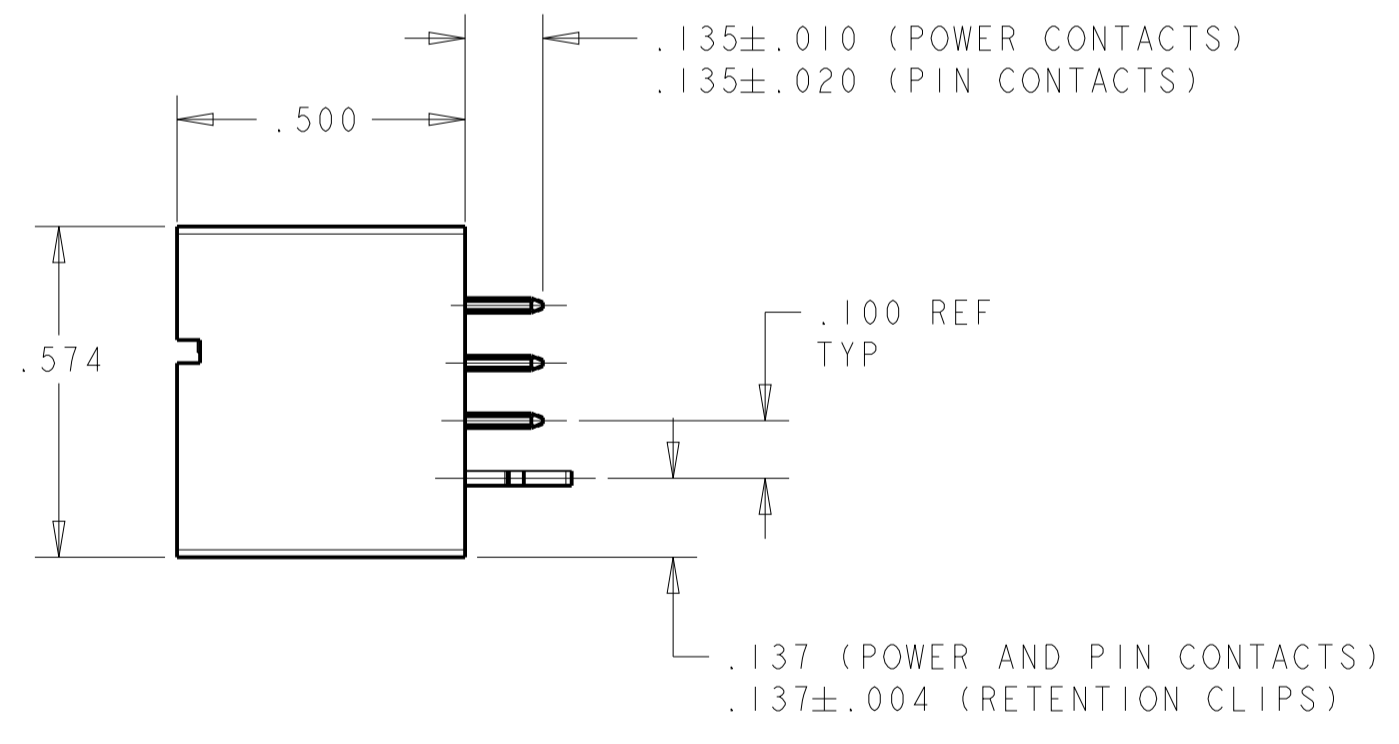
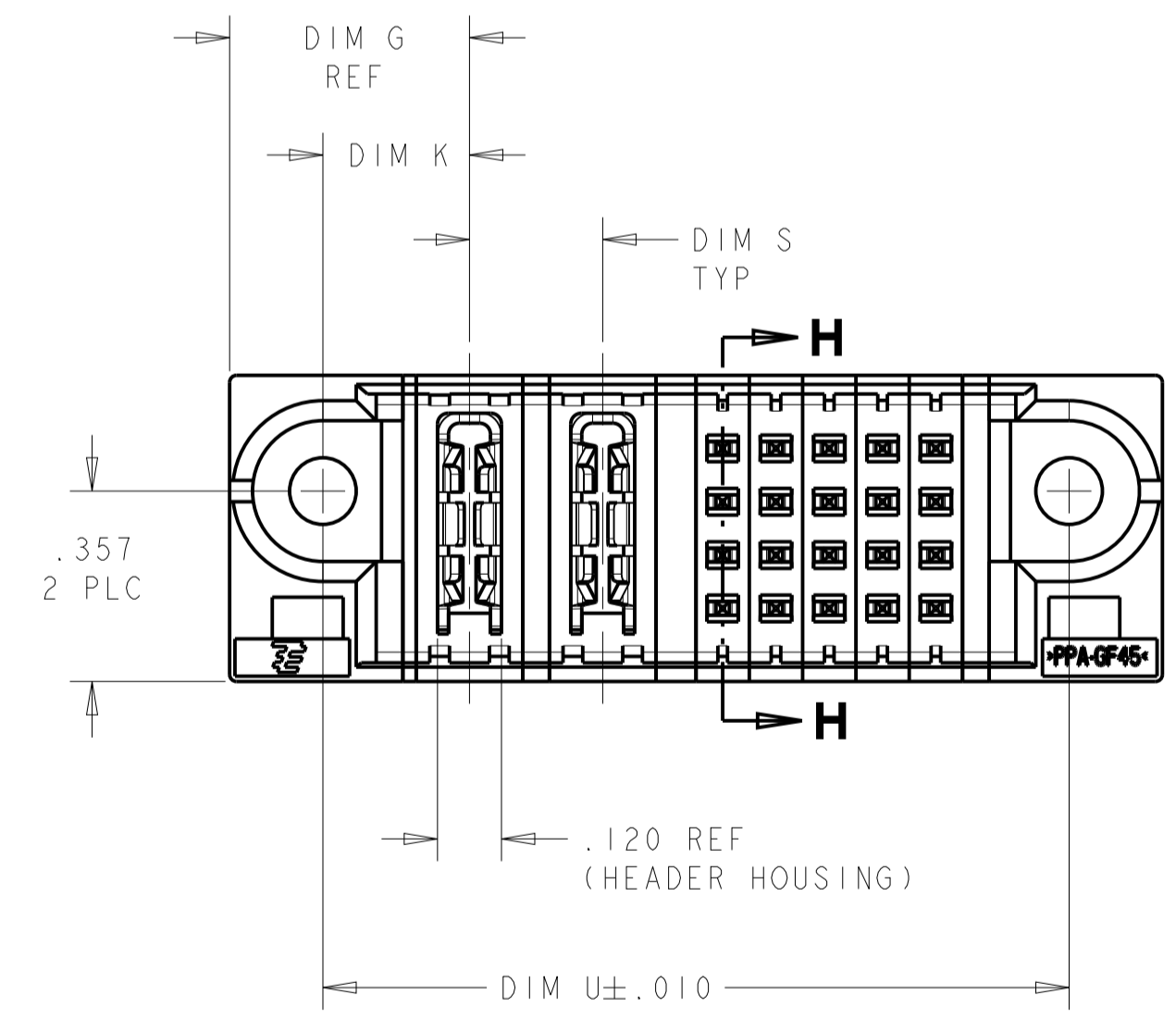
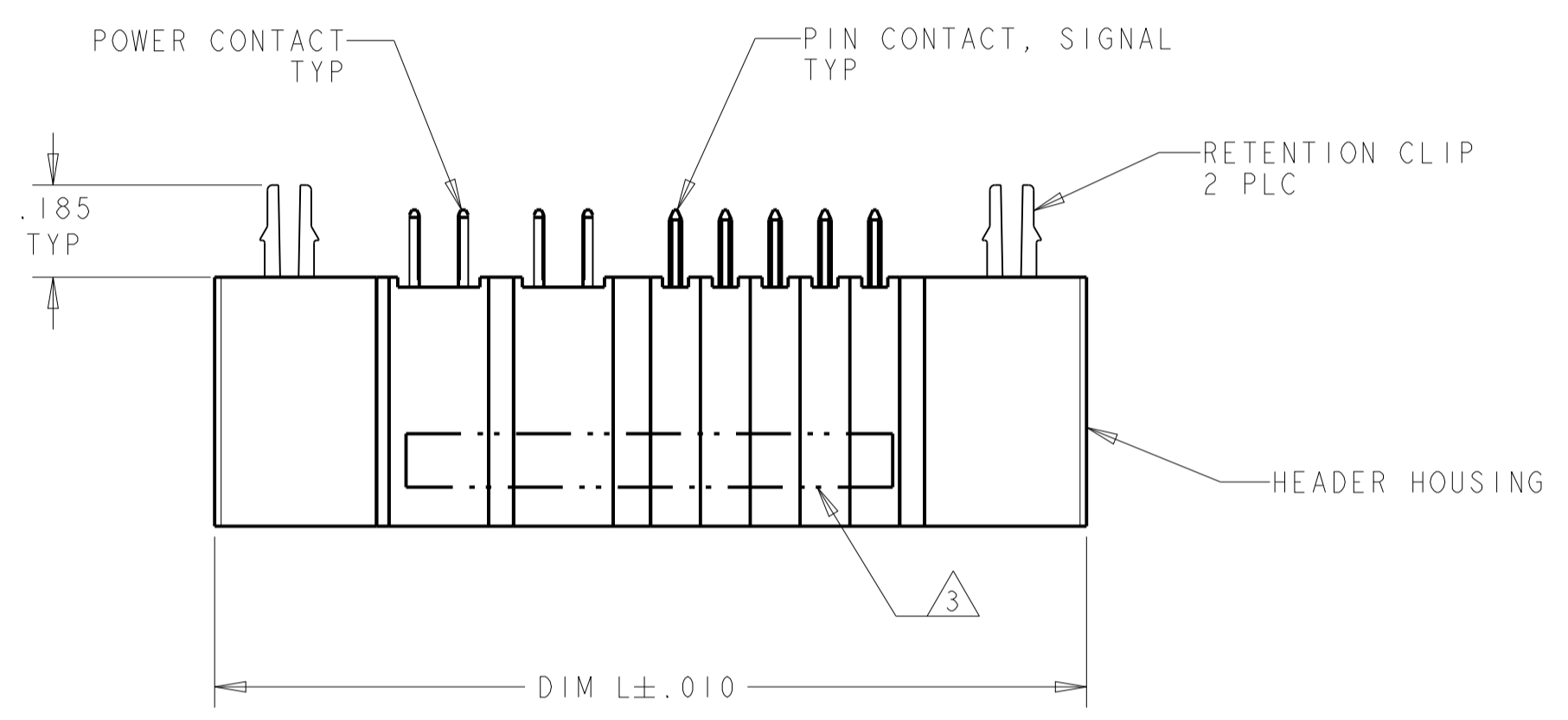
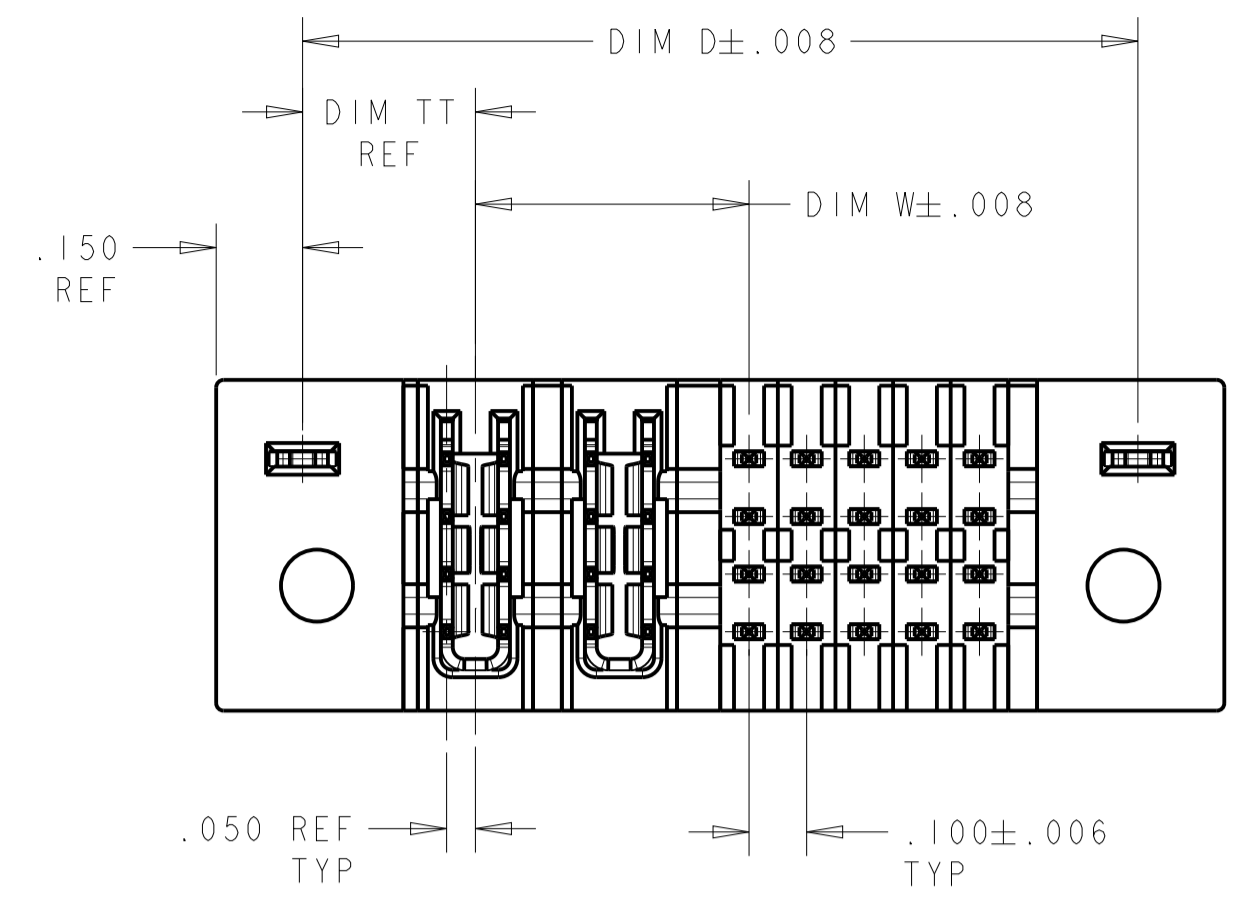


LOC	DIST	REV	DATE	BY	CHK	APPV
ES	00	H1	14SEP2011	AY	SZ	
		H2	25FEB2014	OL	SZ	



- ① HEADER HOUSING: THERMO PLASTIC, BLACK, UL94 V-0; CONTACTS AND RETENTION CLIPS: COPPER ALLOY.
- ② CONTACT PLATING: NOBLE METAL PLATING ON CONTACT FUNCTIONAL AREA OF POWER AND SIGNAL CONTACTS
RETENTION CLIP: .000115 MIN TIN.
- ③ "AMP", PART NUMBER AND DATE CODE MARKED IN THIS AREA. PARTS UNDER 2.50 LONG MAY BE MARKED ON BOTH SIDES.
- ④ DATUM AND BASIC DIMENSIONS ESTABLISHED BY CUSTOMER.
- ⑤ PCB - ALL HOLE DIAMETERS ARE FINISHED HOLE SIZES.
- ⑥ MECHANICAL CONNECTOR KEEP OUT ZONE.
- ⑦ VARIABLE DIMENSION SHOWN ON TABLE SHEET.

(H)	(H)	(F)	DIM "TT"	DIM "W"	DIM "U"	DIM "S"	DIM "L"	DIM "K"	DIM "G"	DIM "D"	RETENTION CLIP	DESCRIPTION	PART NUMBER
			.300	2.425	2.900	.250	3.250	.275	.450	2.950	YES	10P + 4S	1-6600310-1
			.300	.425	1.000	.250	1.350	.275	.450	1.050	YES	2P + 8S	1-6600310-0
			.300	.425	1.100	.250	1.450	.275	.450	1.150	YES	2P + 12S	6600310-9
			.375	2.150	3.225	⑦	3.575	.350	.525	3.275	YES	3ACP + 6P + 24S	6600310-8
			.300	.425	1.200	.250	1.550	.275	.450	1.250	YES	2P + 16S	6600310-7
			.325	1.825	2.825	①	3.175	.300	.475	2.875	YES	3ACP + 4P + 24S	6600310-5
			.325	1.900	2.550	①	2.900	.300	.475	2.600	YES	3ACP + 4P + 8S	6600310-4
			.300	.925	2.100	.250	2.450	.275	.450	2.150	YES	4P + 32S	6600310-3
			.325	1.500	2.250	.250	2.600	.300	.475	2.300	YES	6P + 12S	6600310-2
			.300	.175	1.450	-	1.800	.275	.450	1.500	YES	1P + 36S	6600310-1

THIS DRAWING IS A CONTROLLED DOCUMENT.

DIMENSIONS: INCH

TOLERANCES UNLESS OTHERWISE SPECIFIED:

0 PLC	±
2 PLC	±
3 PLC	±
4 PLC	±0.005
ANGLES	±

MATERIAL: FINISH:

THIS DRAWING IS A CONTROLLED DOCUMENT. DWN: D. RINGLER 18MAR2006, CHK: M. PERCHERKE 18MAR2006, APPV: M. PERCHERKE 18MAR2006

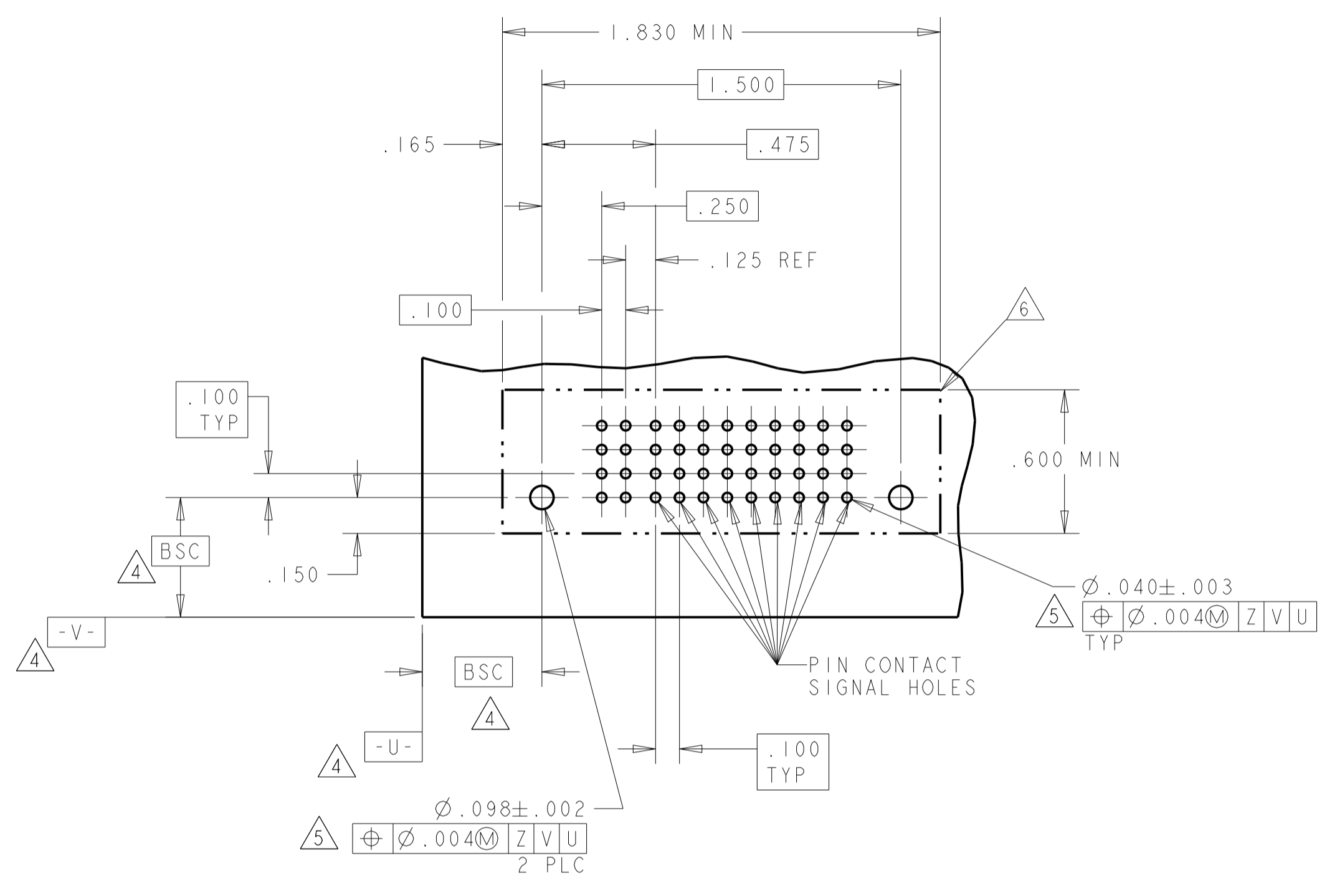
NAME: VERTICAL HEADER ASSEMBLY W/GUIDES, SOLDER TAIL, TYPE PS, MULTI-BEAM XL

PRODUCT SPEC: 108-1973, APPLICATION SPEC: 114-13038, WEIGHT: -

SIZE: A1, CAGE CODE: 6600310, SCALE: 3:1, SHEET: 1 OF 5, REV: H2

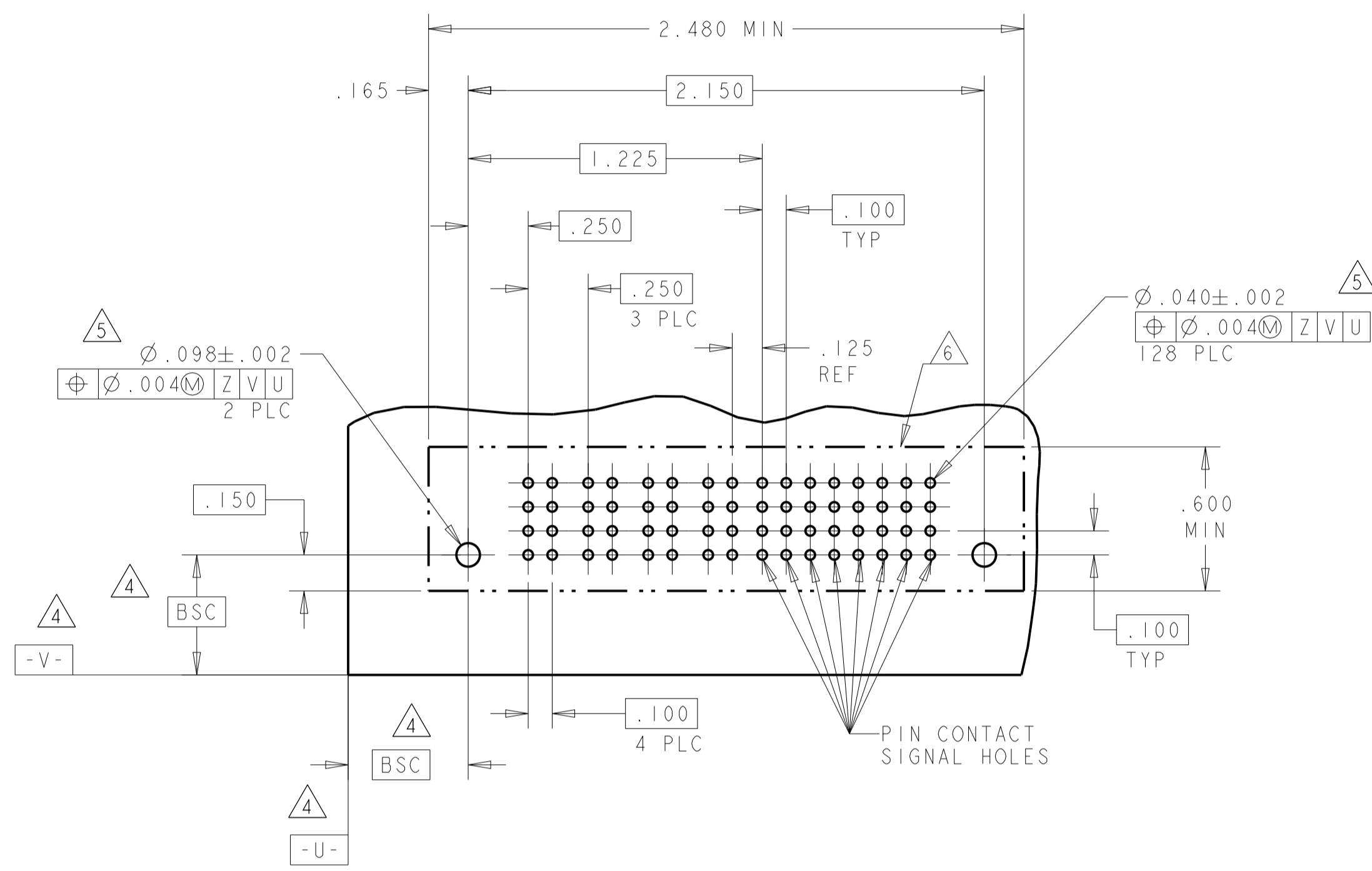
LOC		DIST		REVISIONS			
ES	00	REV	DATE	BY	APP'D	DESCRIPTION	DATE
-	-	1	-	-	-	SEE SHEET 1	-

PART NUMBER	ROWS	POWER						SIGNAL				
		PI	1	2	3	4	5	6	7	8	9	
6600310-1	D	SZ	SV	SV	SV	SV	SV	SV	SV	SV	SV	SV
	C		SV	SV	SV	SV	SV	SV	SV	SV	SV	SV
	B		SV	SV	SV	SV	SV	SV	SV	SV	SV	SV
	A		SV	SV	SV	SV	SV	SV	SV	SV	SV	SV
IP+36S	HD											HD



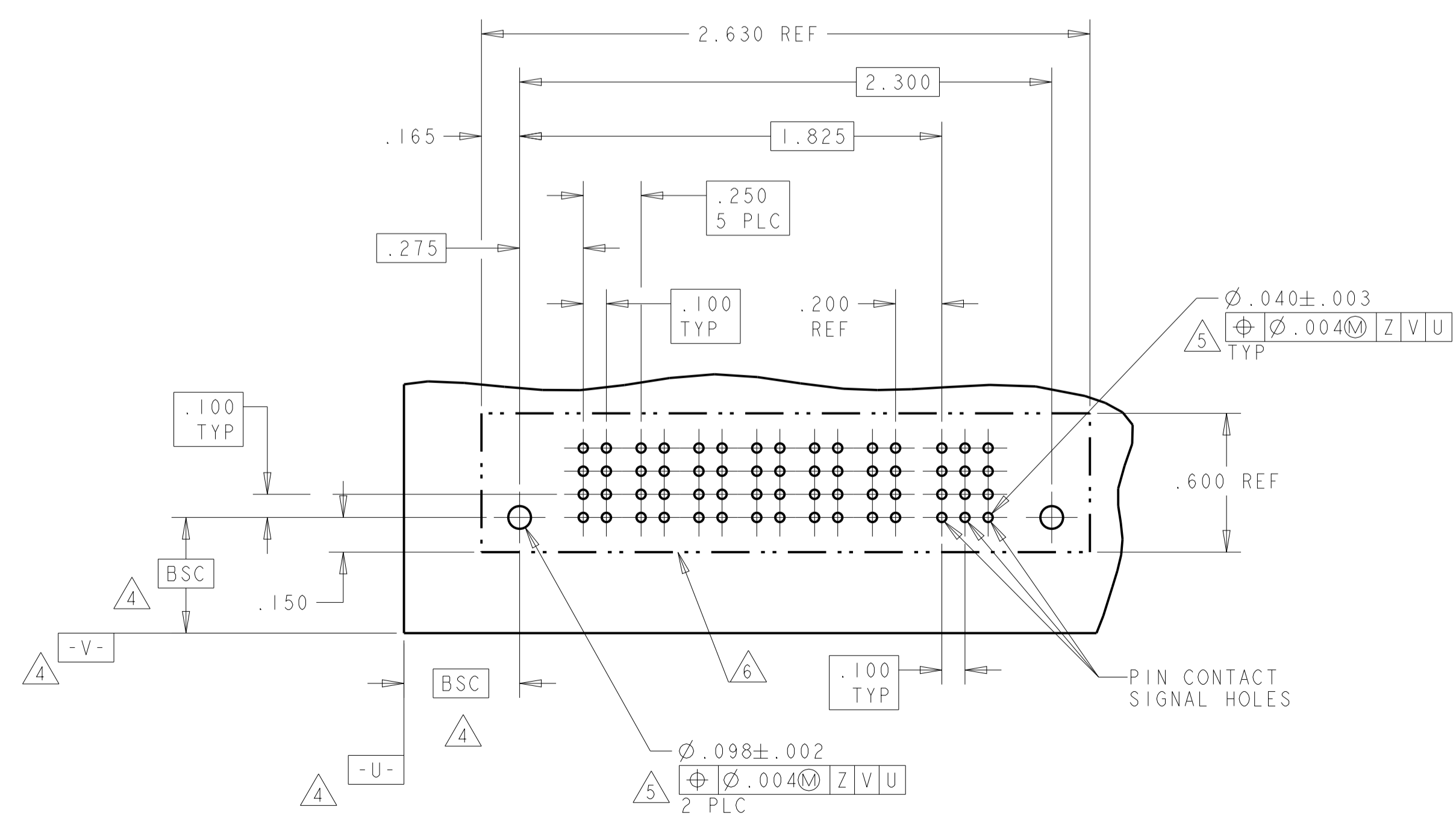
RECOMMENDED PCB LAYOUT 6600310-1
SCALE 2:1

PART NUMBER	ROWS	POWER				SIGNAL							
		PI	P2	P3	P4	1	2	3	4	5	6	7	8
6600310-3	D	SZ	SZ	SZ	SZ	SV	SV	SV	SV	SV	SV	SV	SV
	C					SV	SV	SV	SV	SV	SV	SV	SV
	B					SV	SV	SV	SV	SV	SV	SV	SV
	A					SV	SV	SV	SV	SV	SV	SV	SV
4P+32S	HD												HD



RECOMMENDED PCB LAYOUT 6600310-3
SCALE 2:1

PART NUMBER	ROWS	POWER						SIGNAL		
		P1	P2	P3	P4	P5	P6	1	2	3
6600310-2	D	SZ	SZ	SZ	SZ	SZ	SZ	SV	SV	SV
	C							SV	SV	SV
	B							SV	SV	SV
	A							SV	SV	SV
6P+12S	HD									HD



RECOMMENDED PCB LAYOUT 6600310-2
SCALE 2:1

MATING SEQUENCE	DESCRIPTION	IDENTIFIER
-	RETENTION CLIP	HD
MLBF	SIGNAL CONTACT	SS
STANDARD	SIGNAL CONTACT	SV
-	POWER CONTACT	SZ

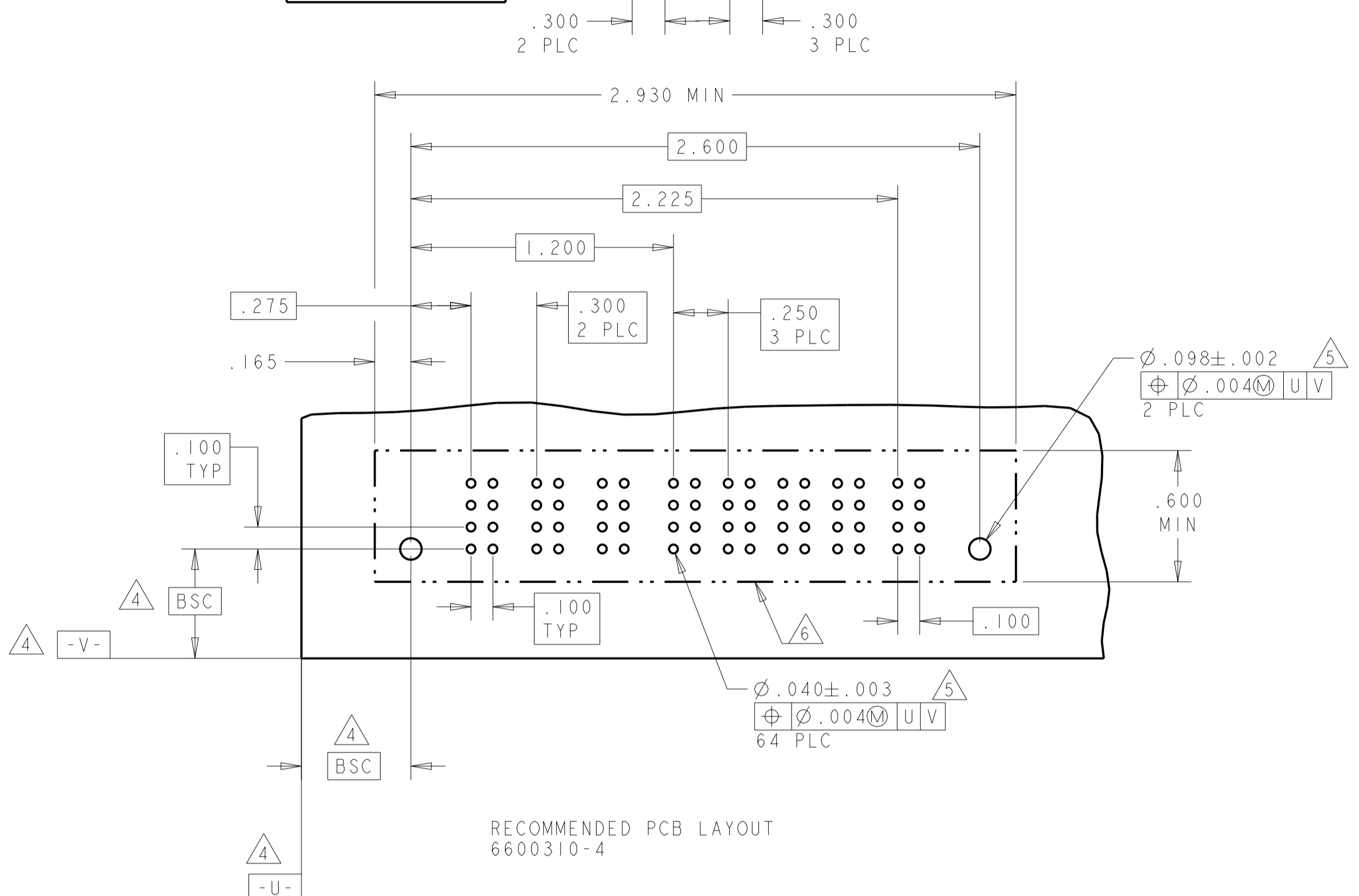
THIS DRAWING IS A CONTROLLED DOCUMENT.

DIMENSIONS:	TOLERANCES UNLESS OTHERWISE SPECIFIED:	OWN: D. RINGLER 18MAR2006	NAME: VERTICAL HEADER ASSEMBLY W/GUIDES, SOLDER TAIL, TYPE PS, MULTI-BEAM XL
INCH	0 PLC ±	CHK: M. PERCHERKE 18MAR2006	PRODUCT SPEC: 108-1973
	1 PLC ±	APP'D: M. PERCHERKE 18MAR2006	APPLICATION SPEC: 114-13038
	2 PLC ±		SIZE: A100779
	3 PLC ±		CAGE CODE: 6600310
	4 PLC ±		RESTRICTED TO: -
	5 PLC ±		SCALE: 3:1
	6 PLC ±		SHEET: 2 OF 5
	ANGLES ±		REV: H2
MATERIAL:	FINISH:	CUSTOMER DRAWING	

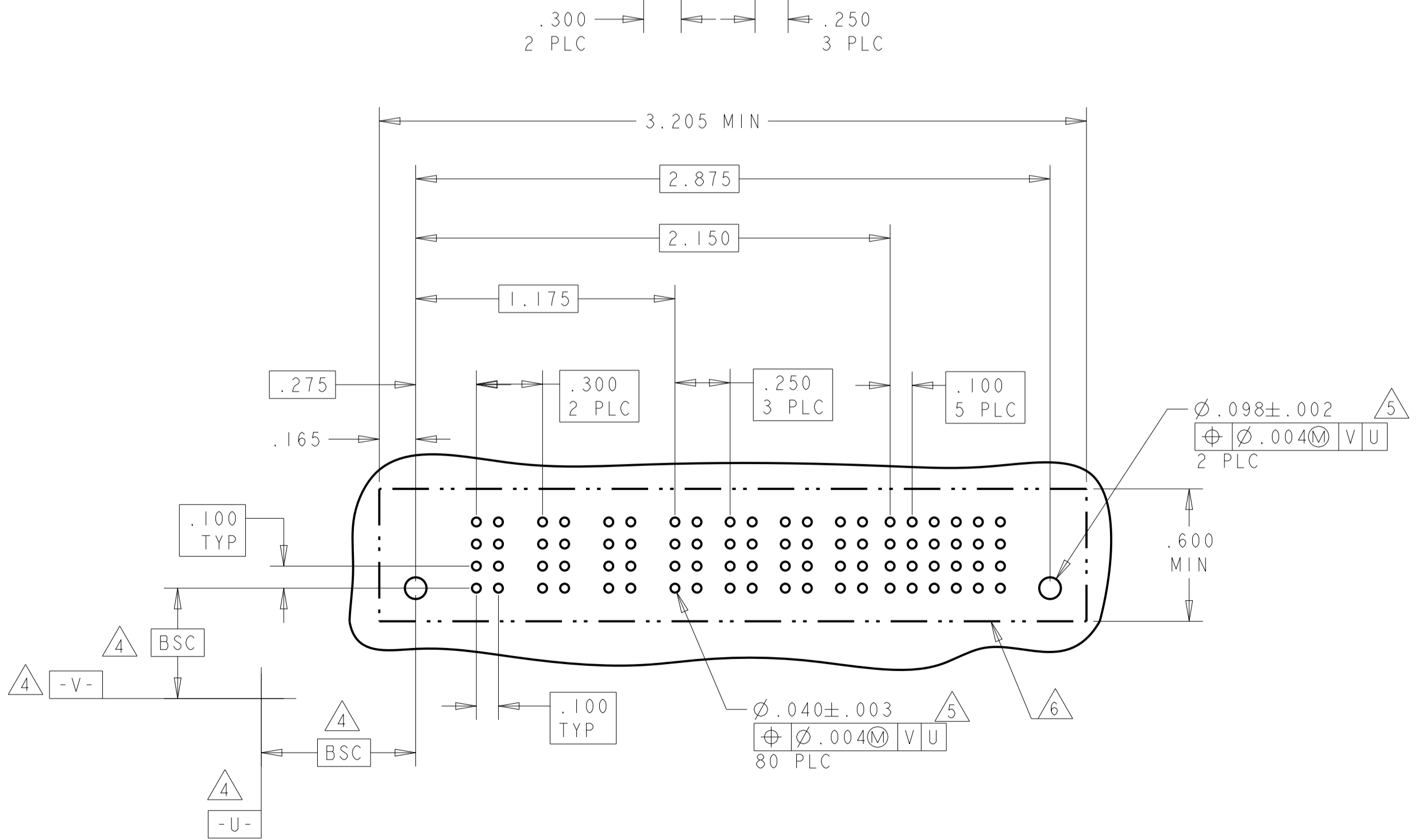
LOC	DIST	REV	DATE	BY	APPV
ES	00				

REVISIONS		DATE	BY	APPV
1	SEE SHEET 1			

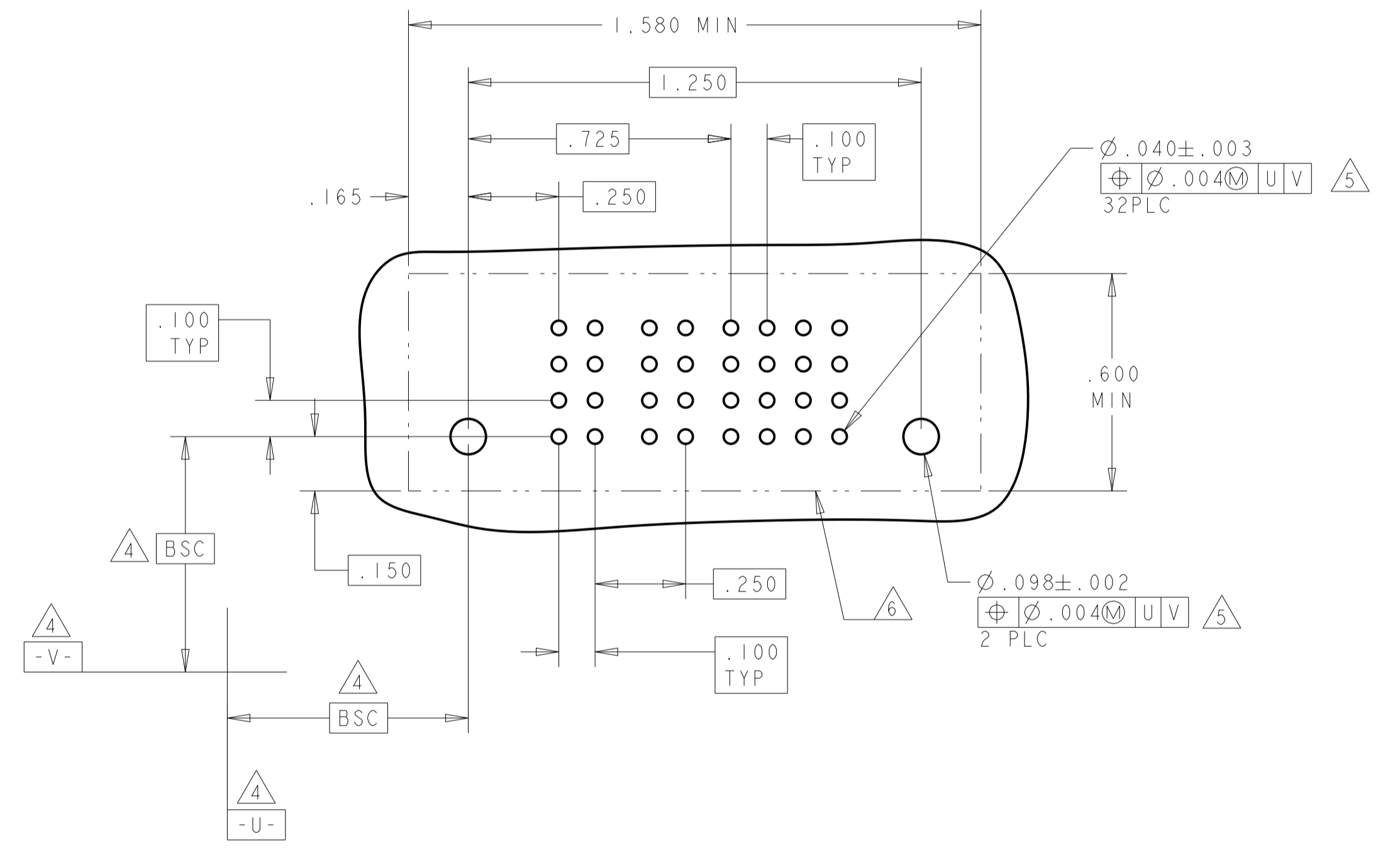
PART NUMBER	ROWS	POWER							SIGNAL	
		P1	P2	P3	P4	P5	P6	P7	2	1
6600310-4	D C B A	SZ	SZ	SZ	SZ	SZ	SZ	SZ	SV	SV
3ACP + 4P + 8S		HD							SV	SV
									SV	SV
									SV	SV



PART NUMBER	ROWS	POWER							SIGNAL					
		P1	P2	P3	P4	P5	P6	P7	1	2	3	4	5	6
6600310-5	D C B A	SZ	SZ	SZ	SZ	SZ	SZ	SZ	SV	SS	SV	SV	SV	SS
3ACP + 4P + 24S		HD							SV	SS	SV	SV	SV	SS
									SV	SS	SV	SV	SV	SS
									SV	SS	SV	SV	SV	SS



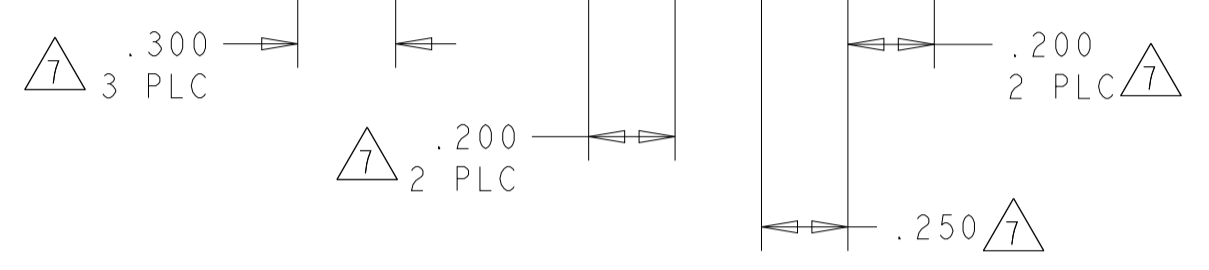
PART NUMBER	ROWS	POWER		SIGNAL			
		P1	P2	1	2	3	4
6600310-7	D C B A	SZ	SZ	SV	SV	SV	SV
2P + 16S		HD		SV	SV	SV	SV
				SV	SV	SV	SV



THIS DRAWING IS A CONTROLLED DOCUMENT.		OWN: D. RINGLER 18MAR2006	STE TE Connectivity
DIMENSIONS: INCH		CHK: M. PERCHERKE 18MAR2006	
TOLERANCES UNLESS OTHERWISE SPECIFIED:		APVD: M. PERCHERKE 18MAR2006	NAME: VERTICAL HEADER ASSEMBLY W/GUIDES, SOLDER TAIL, TYPE PS, MULTI-BEAM XL
0 PLC ±	±	PRODUCT SPEC	SIZE: CAGE CODE DRAWING NO. RESTRICTED TO
1 PLC ±	±	APPLICATION SPEC	A100779C=6600310
2 PLC ±	±	WEIGHT	SCALE 3:1 SHEET 3 OF 5 REV H2
3 PLC ±	±0.005	CUSTOMER DRAWING	
4 PLC ±	±		
5 PLC ±	±		
ANGLES ±	±		
MATERIAL	FINISH		

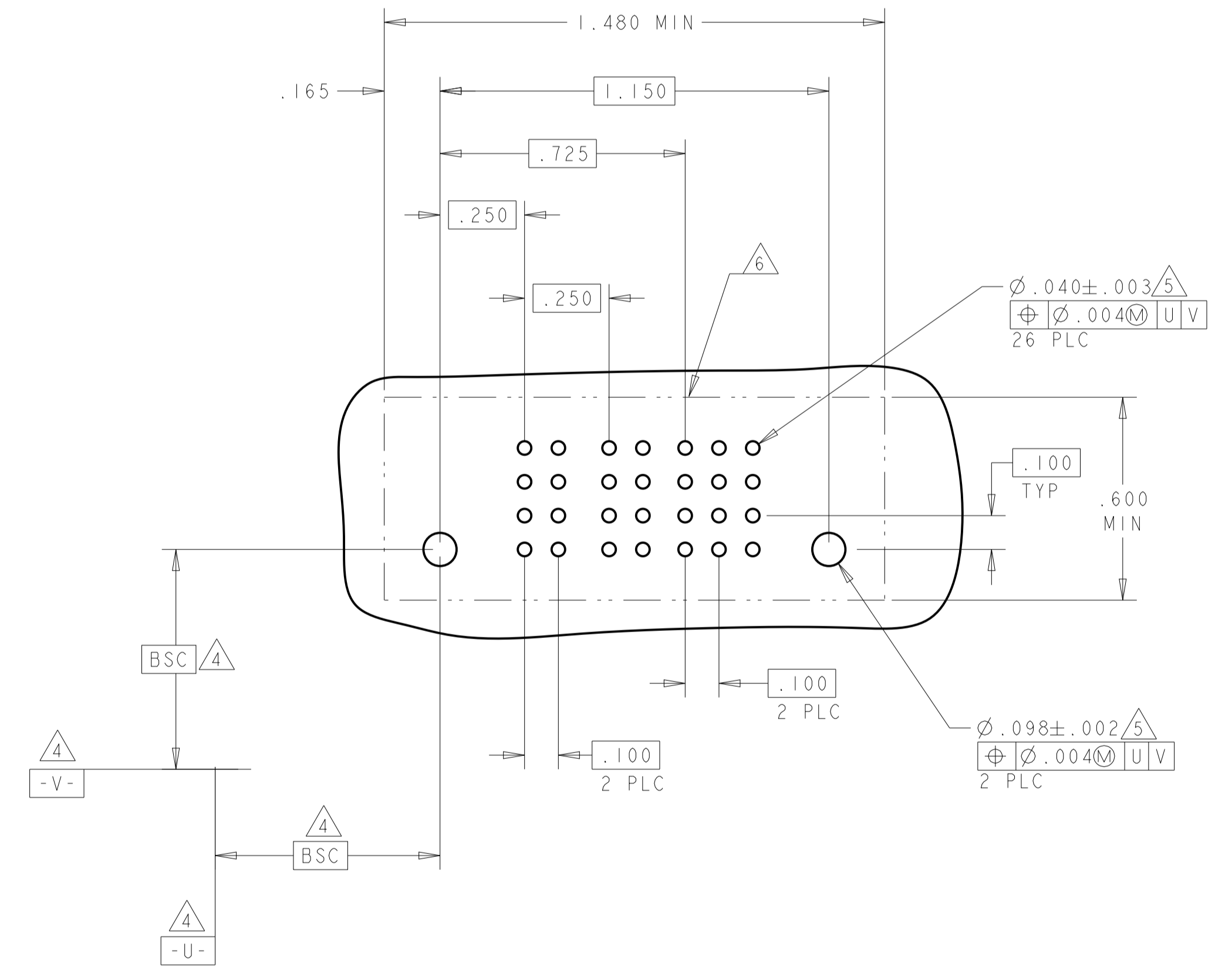
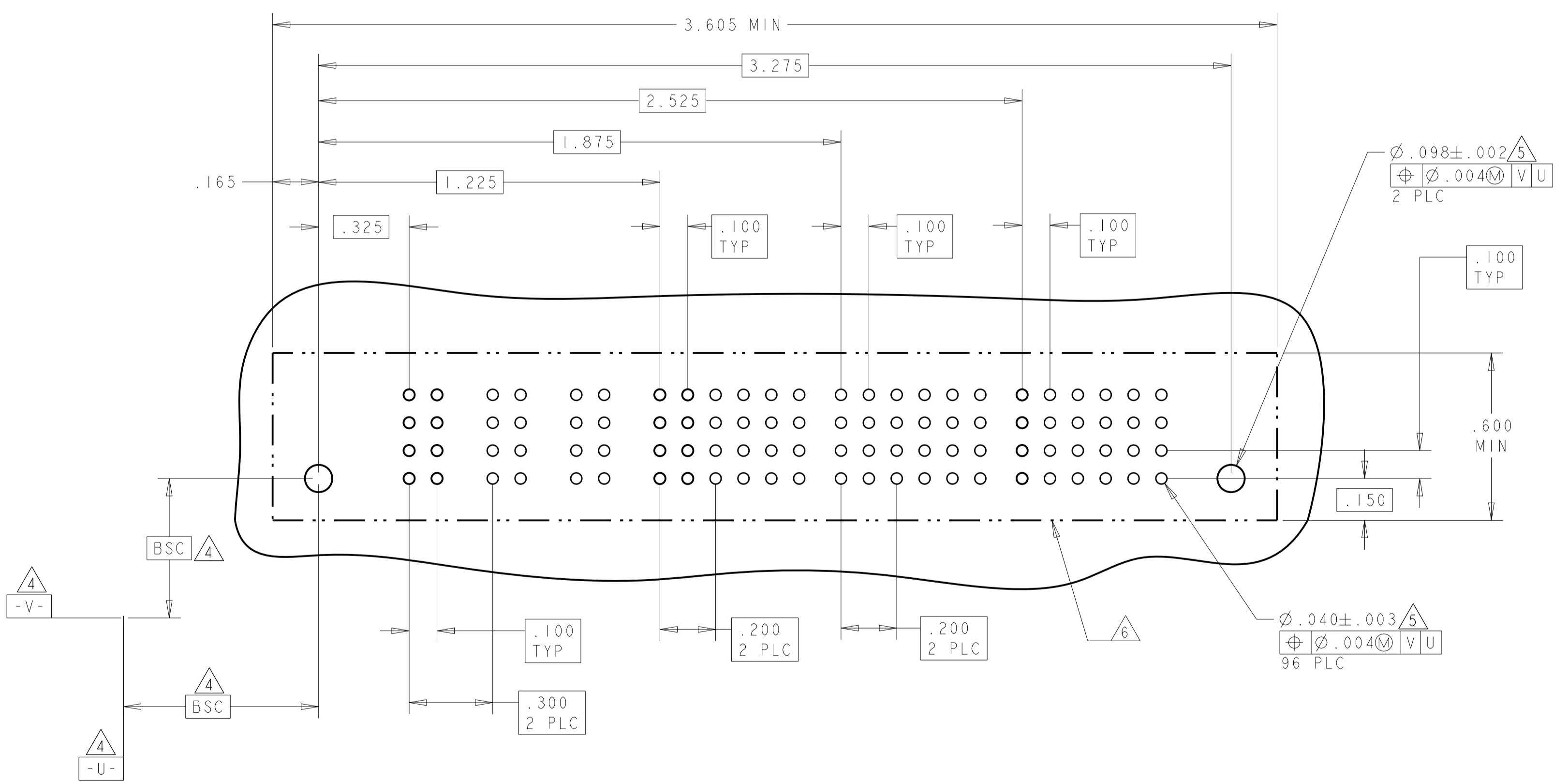
LOC	DIST	REVISIONS					
		P	LTN	DESCRIPTION	DATE	DMN	APVD
ES	00	-	-	SEE SHEET 1	-	-	-

PART NUMBER	ROWS	POWER									SIGNAL					
		P1	P2	P3	P4	P5	P6	P7	P8	P9	1	2	3	4	5	6
6600310-8	D	SZ	SZ	SZ	SZ	SZ	SZ	SZ	SZ	SZ	SV	SS	SV	SV	SV	SS
	C										SV	SV	SV	SV	SS	SS
	B										SV	SV	SV	SV	SS	SS
	A										SV	SV	SV	SV	SS	SV
3ACP + 6P + 24S																



PART NUMBER	ROWS	POWER		SIGNAL		
		P1	P2	1	2	3
6600310-9	D	SZ	SZ	SV	SV	SV
	C			SV	SV	SV
	B			SV	SV	SV
	A			SV	SV	SV
2P+12S		HD		HD		

(F1)



THIS DRAWING IS A CONTROLLED DOCUMENT.

DIMENSIONS:	TOLERANCES UNLESS OTHERWISE SPECIFIED:	DMN: D. RINGLER 18MAR2006	CHK: M. PERCHERKE 18MAR2006	APVD: M. PERCHERKE 18MAR2006	NAME: VERTICAL HEADER ASSEMBLY W/GUIDES, SOLDER TAIL, TYPE PS, MULTI-BEAM XL
INCH	0 PLC ±	PRODUCT SPEC: 108-1973	APPLICATION SPEC: 114-13038	WEIGHT: -	RESTRICTED TO: -
	1 PLC ±	SIZE: A100779	CAGE CODE: C=6600310	SCALE: 3:1	SHEET 4 OF 5
	2 PLC ±	CUSTOMER DRAWING	REV: H2		

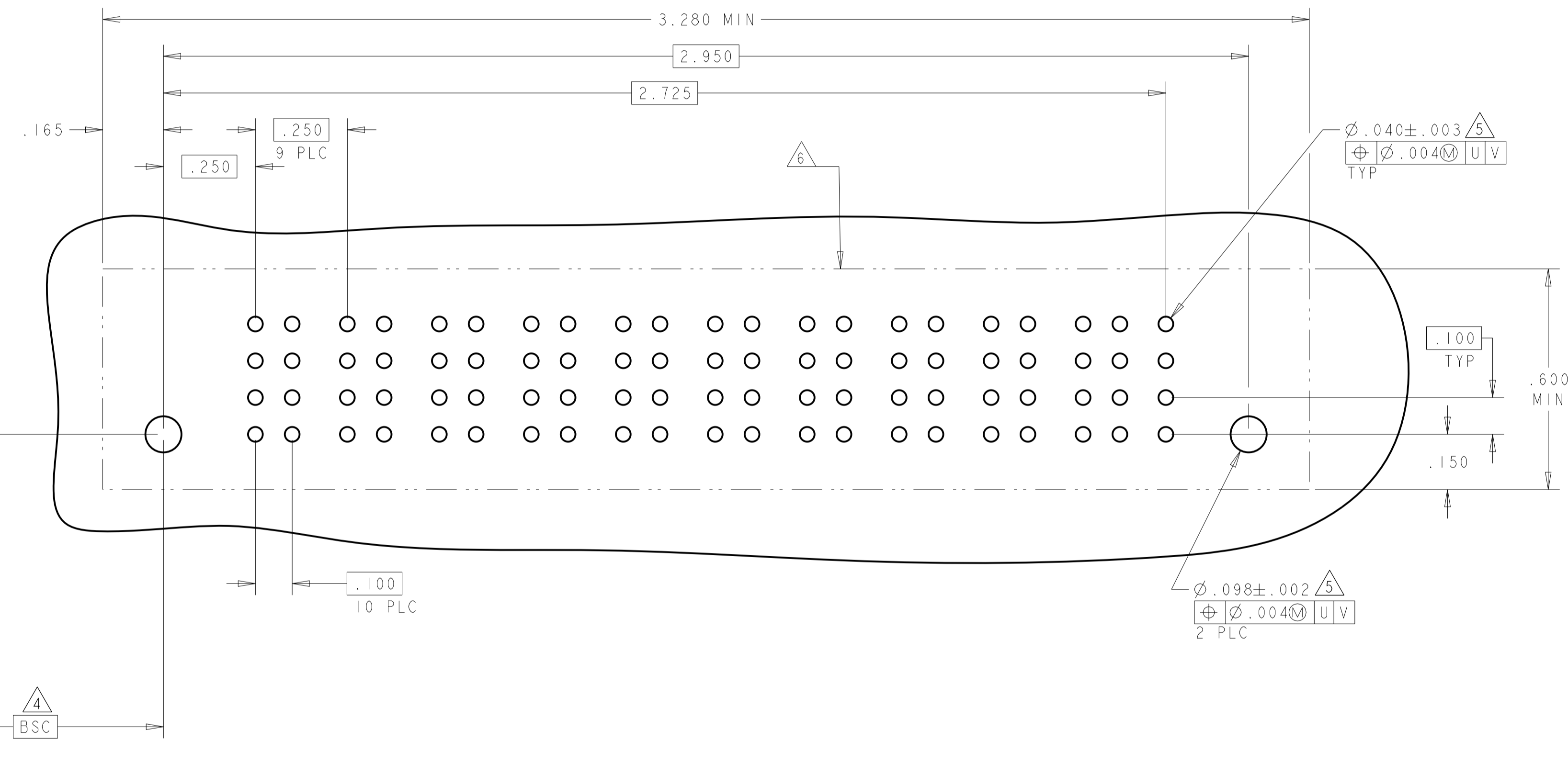
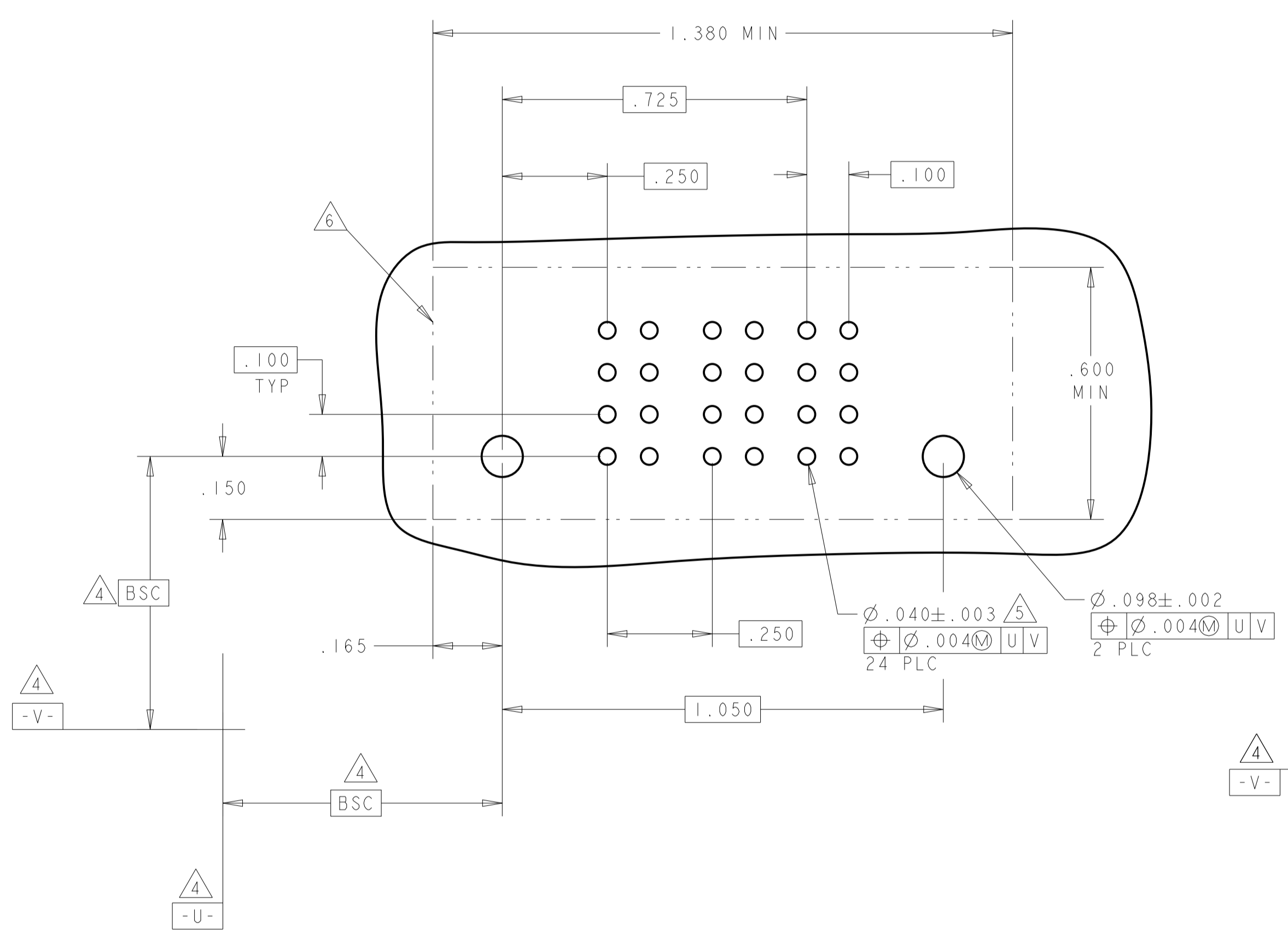
TE Connectivity

LOC	DIST	REV	DATE	BY	APPV
ES	00				

REVISIONS					
REV	DATE	BY	APPV	DESCRIPTION	DATE
-	-	-	-	SEE SHEET 1	-

PART NUMBER	ROWS	POWER		SIGNAL	
		P1	P2	I	2
I-6600310-0	D	SZ	SZ	SV	SV
	C			SV	SV
	B			SV	SV
	A			SV	SV
2P+8S		HD			HD

PART NUMBER	ROWS	POWER										SIGNAL		
		P1	P2	P3	P4	P5	P6	P7	P8	P9	P10	I	2	
I-6600310-1	D	SZ	SZ	SZ	SZ	SZ	SZ	SZ	SZ	SZ	SZ	SZ	SV	
	C												SV	
	B												SV	
	A												SV	
10P+4S		HD												HD



THIS DRAWING IS A CONTROLLED DOCUMENT.

DIMENSIONS: INCH	TOLERANCES UNLESS OTHERWISE SPECIFIED: 0 PLC ± 2 PLC ± 3 PLC ±0.005 4 PLC ± ANGLES ±	FINISH	FINISH
---------------------	-----------------------------------------------------------------------------------------------------	--------	--------

OWN: D. RINGLER 18MAR2006	CHK: M. PERCHERKE 18MAR2006	APVD: M. PERCHERKE 18MAR2006	NAME: VERTICAL HEADER ASSEMBLY W/GUIDES, SOLDER TAIL, TYPE PS, MULTI-BEAM XL
PRODUCT SPEC: 108-1973	APPLICATION SPEC: 114-13038	WEIGHT: -	RESTRICTED TO: -
MATERIAL: -	SCALE: 3:1	SHEET: 5 OF 5	REV: H2

CUSTOMER DRAWING

单击下面可查看定价，库存，交付和生命周期等信息

[>>TE Connectivity\(泰科\)](#)