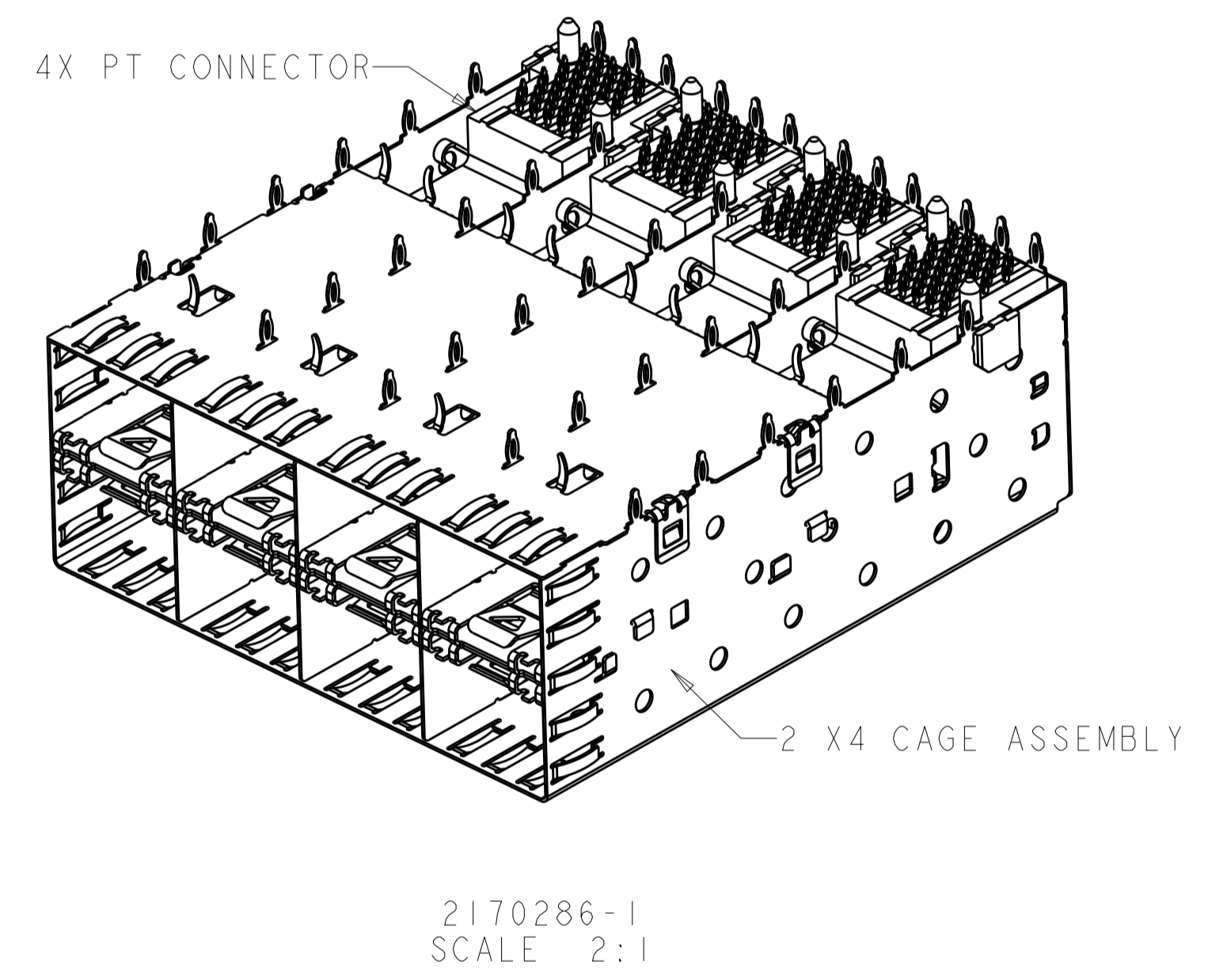
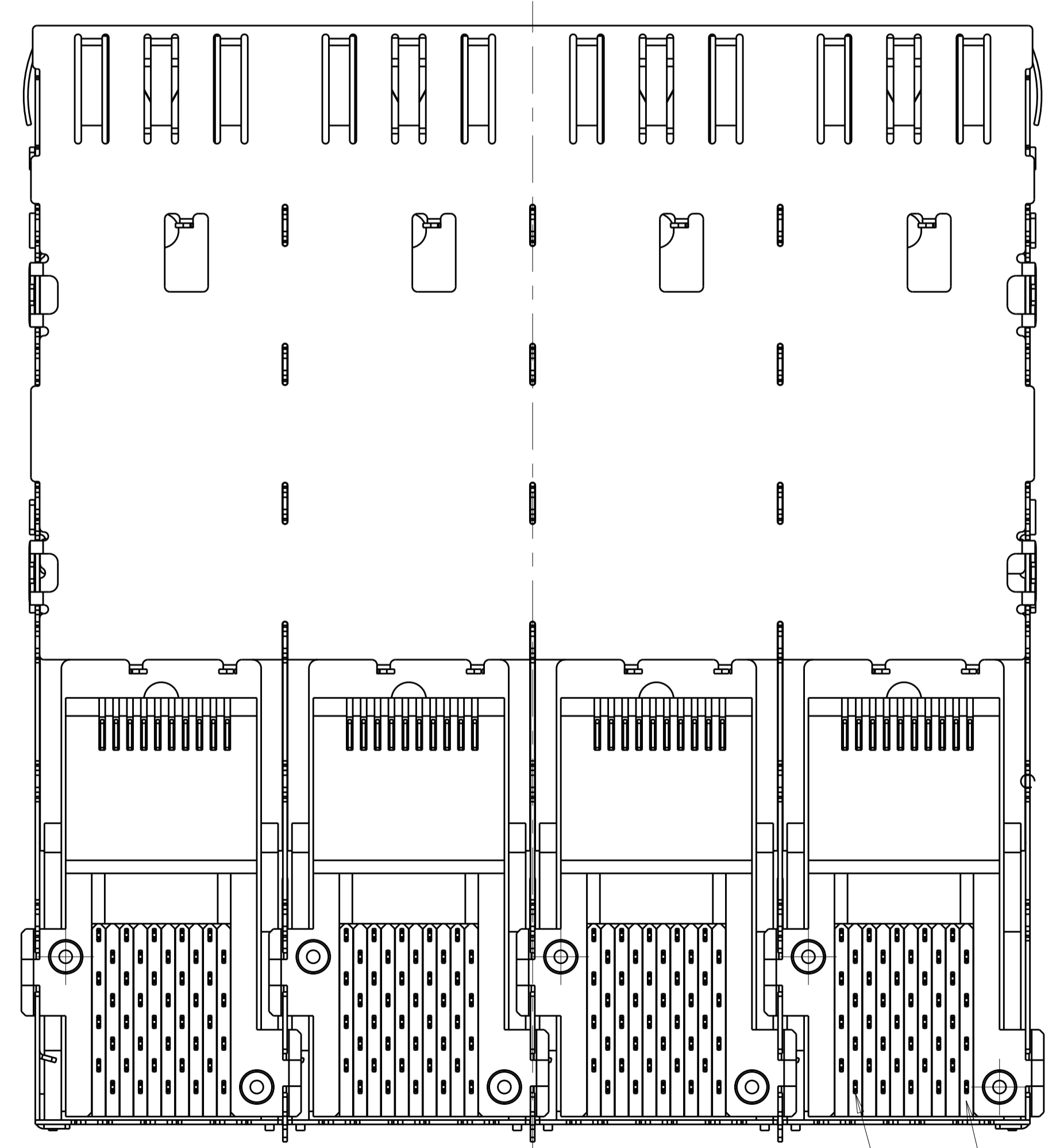
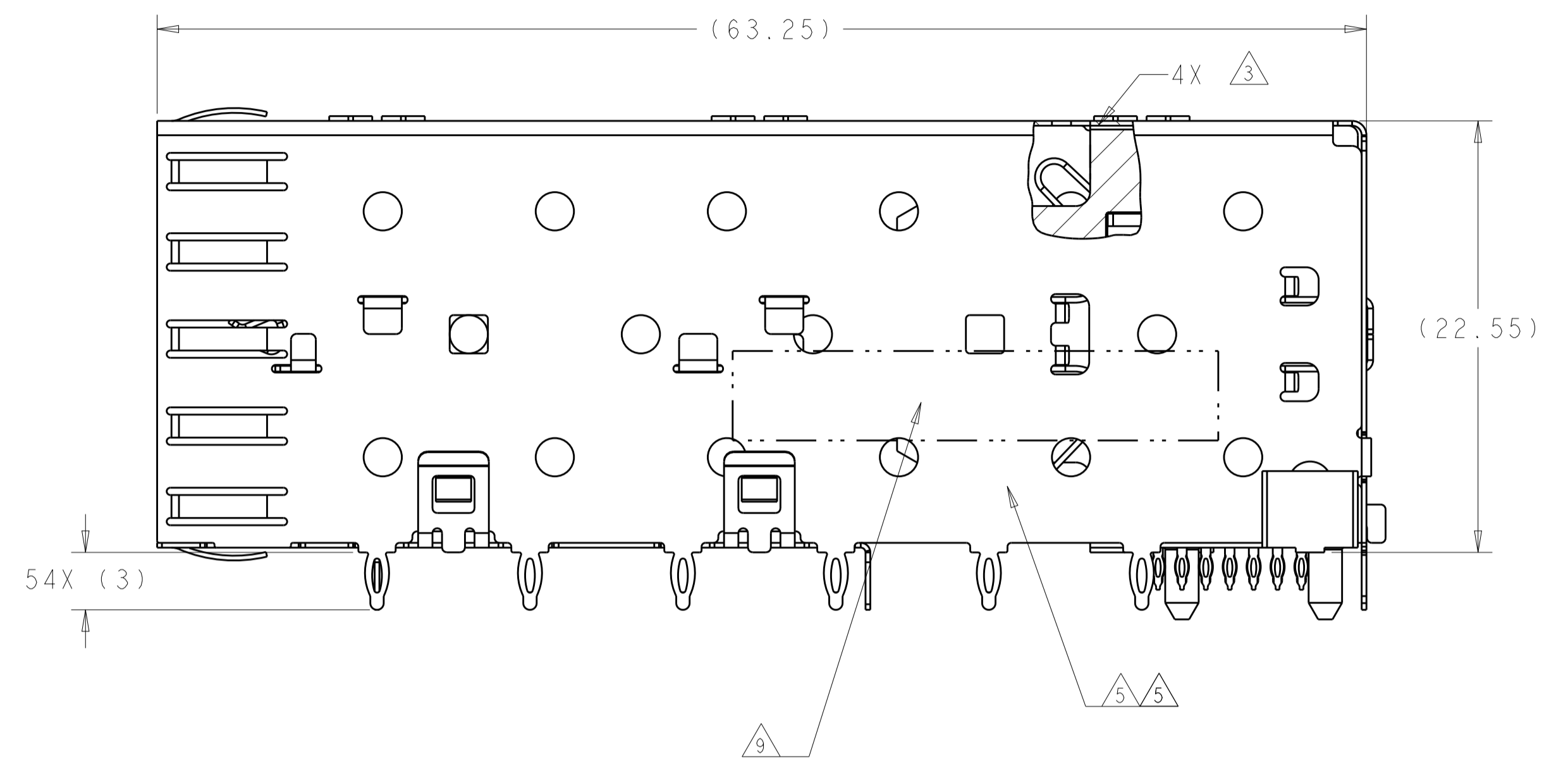
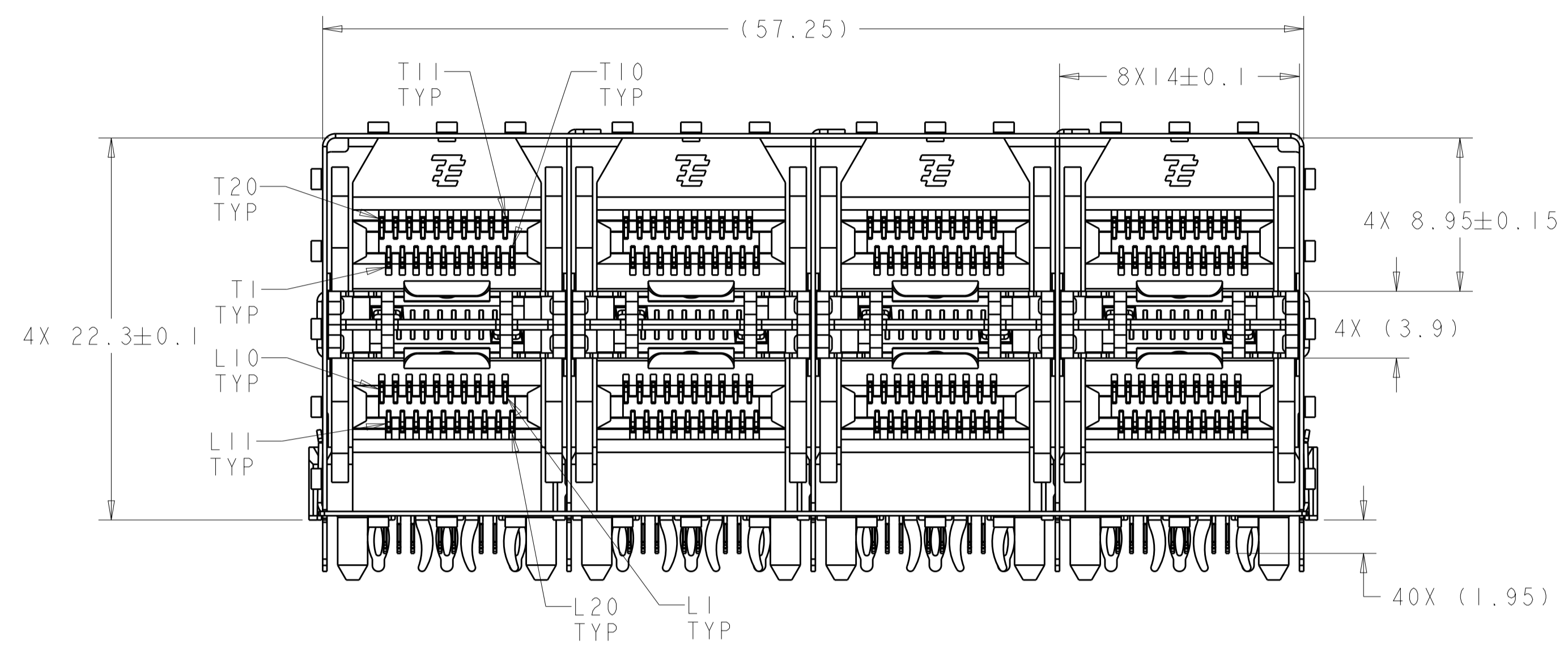


LOC		DIST		REVISIONS			
P	LTN	DESCRIPTION	DATE	DWN	APVD		
A		RELEASE	06NOV2012	JY	AC		
B		REVISED PER ECO-14-000886	20FEB2014	JW	SH		

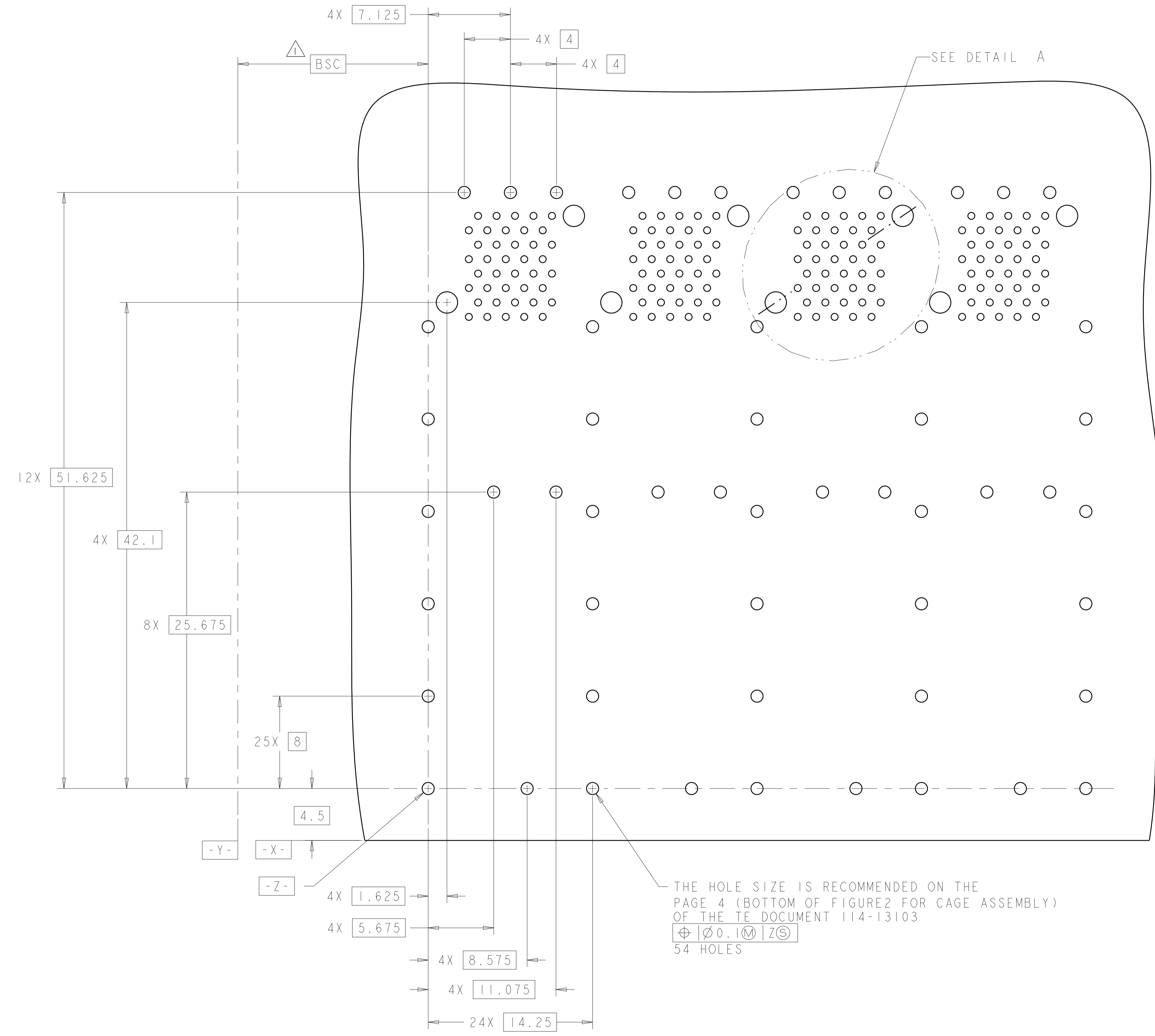


- △ DATUM AND BASIC DIMENSION TO BE DETERMINED BY CUSTOMER.
- △ INTERPRETATION OF DATUM REFERENCE FRAME IN ACCORDANCE WITH SECT 4.4.1.1 OF ASME Y14.5M-1994.
- △ TOP OF PT CONNECTOR TO BE 0-0.15 FROM INSIDE SURFACE OF CAGE.
- △ COPPER ALLOY.
- △ NICKEL SILVER ALLOY (NO PLATING).
- △ LCP, HIGH TEMPERATURE, UL 94V-0 RATED, BLACK.
- △ POLYESTER, UL 94V-0 RATED, BLACK.
- △ CONTACT MATING AREA: SURFACE TREATMENT OVER 0.76um MIN GOLD PER ASTM B 488 OVER 1.27um MIN NICKEL PER QQ-N-290. NEEDLE EYE: 1.25um MIN TIN PER ASTM B 545 OVER 1.27um MIN NICKEL PER QQ-N-290. REMAINDER OF CONTACT: 0.76um MIN NICKEL PER QQ-N-290.
- △ DATE CODE AND PART NUMBER IN APPROXIMATE LOCATION SHOWN

2170286-1  
PART NUMBER

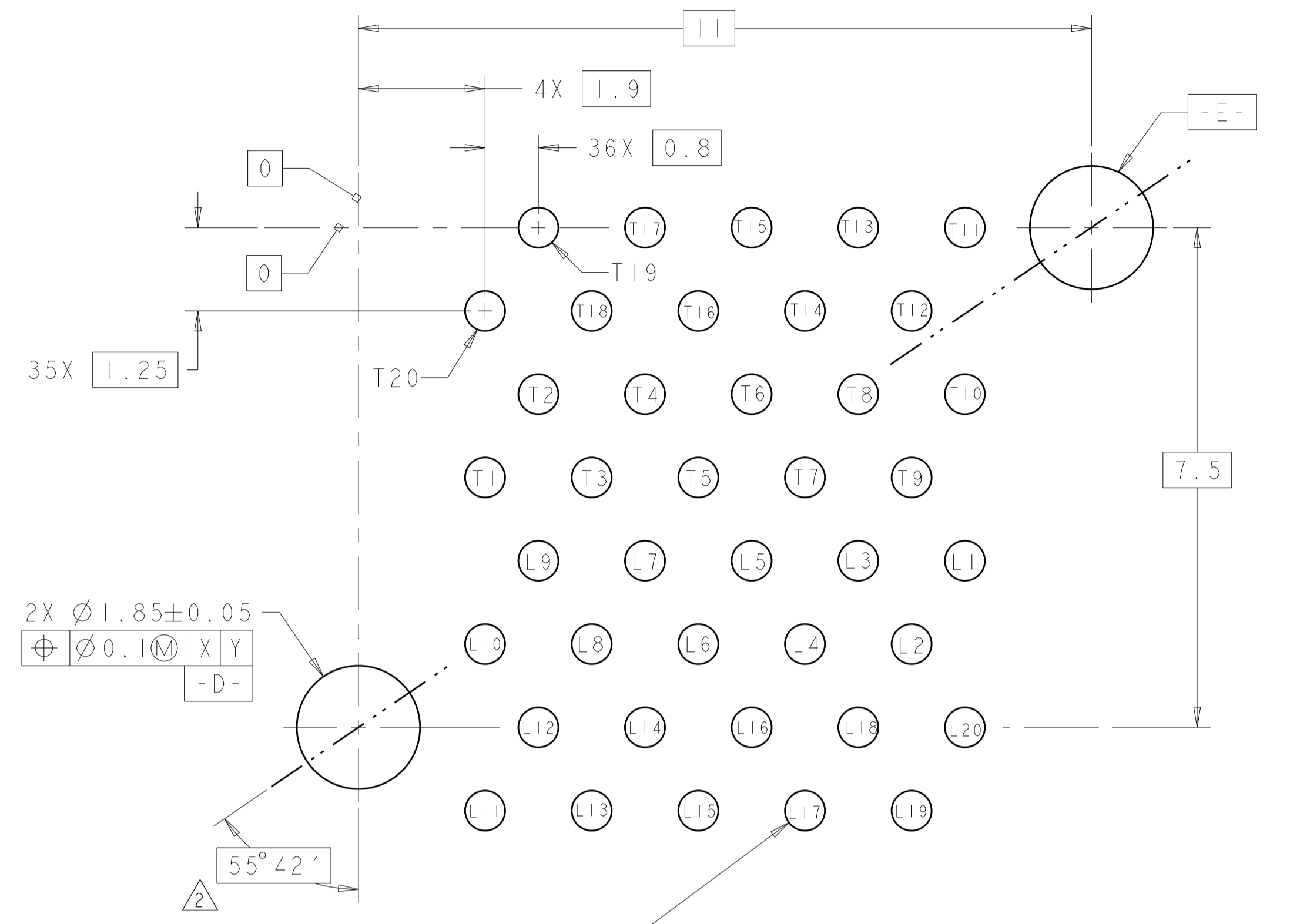
THIS DRAWING IS A CONTROLLED DOCUMENT.		DWN: JASON YANG ZOMAR2012	TE Connectivity
DIMENSIONS: mm		CHK: ALEX CAI ZOMAR2012	
TOLERANCES UNLESS OTHERWISE SPECIFIED:		APVD: ALEX CAI ZOMAR2012	NAME: CAGE AND PT CONNECTOR ASSEMBLY, 2x4, PRESS FIT, LOW PROFILE, SFP
0 PLC ±		PRODUCT SPEC: 108-2161	SIZE: CAGE CODE DRAWING NO: A100779C=2170286
1 PLC ±0.1		APPLICATION SPEC: 114-13103	RESTRICTED TO: -
2 PLC ±		WEIGHT: -	SCALE: 4:1 SHEET 1 OF 3 REV B
3 PLC ±		MATERIAL: -	
4 PLC ±		FINISH: -	
ANGLES ±		Customer Drawing	

LOC	DIST	REV	DATE	BY	APPD
ES	00				
SEE SHEET 1					



THE HOLE SIZE IS RECOMMENDED ON THE  
 PAGE 4 (BOTTOM OF FIGURE2 FOR CAGE ASSEMBLY)  
 OF THE TE DOCUMENT 114-13103  
 $\varnothing 0.10 \text{ (M)} | Z \text{ (S)}$   
 54 HOLES

RECOMMENDED PCB CONFIGURATION  
 SCALE 5:1

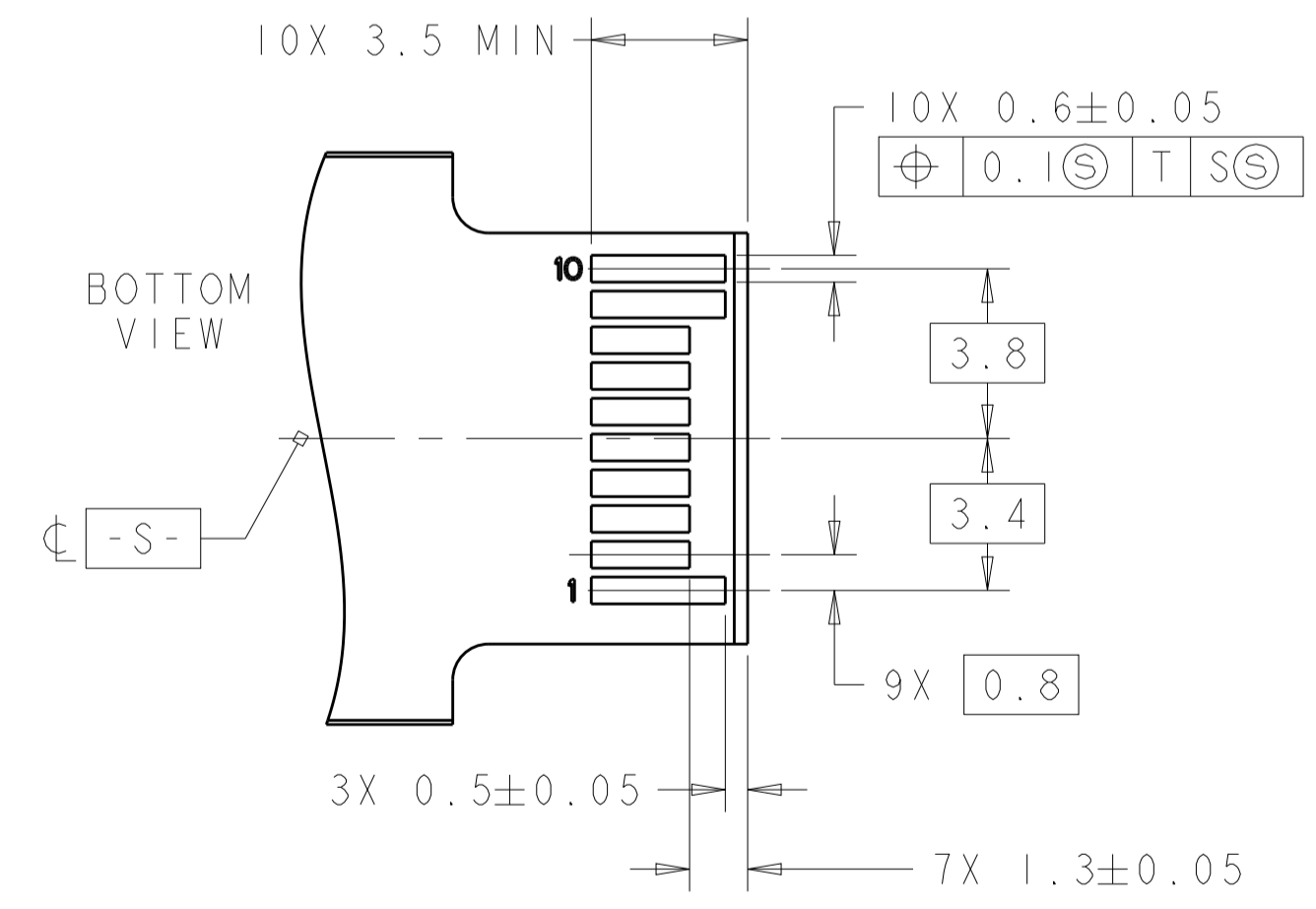
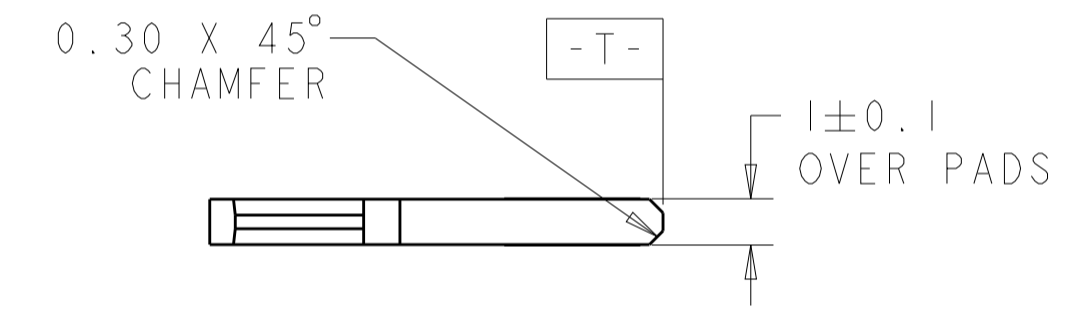
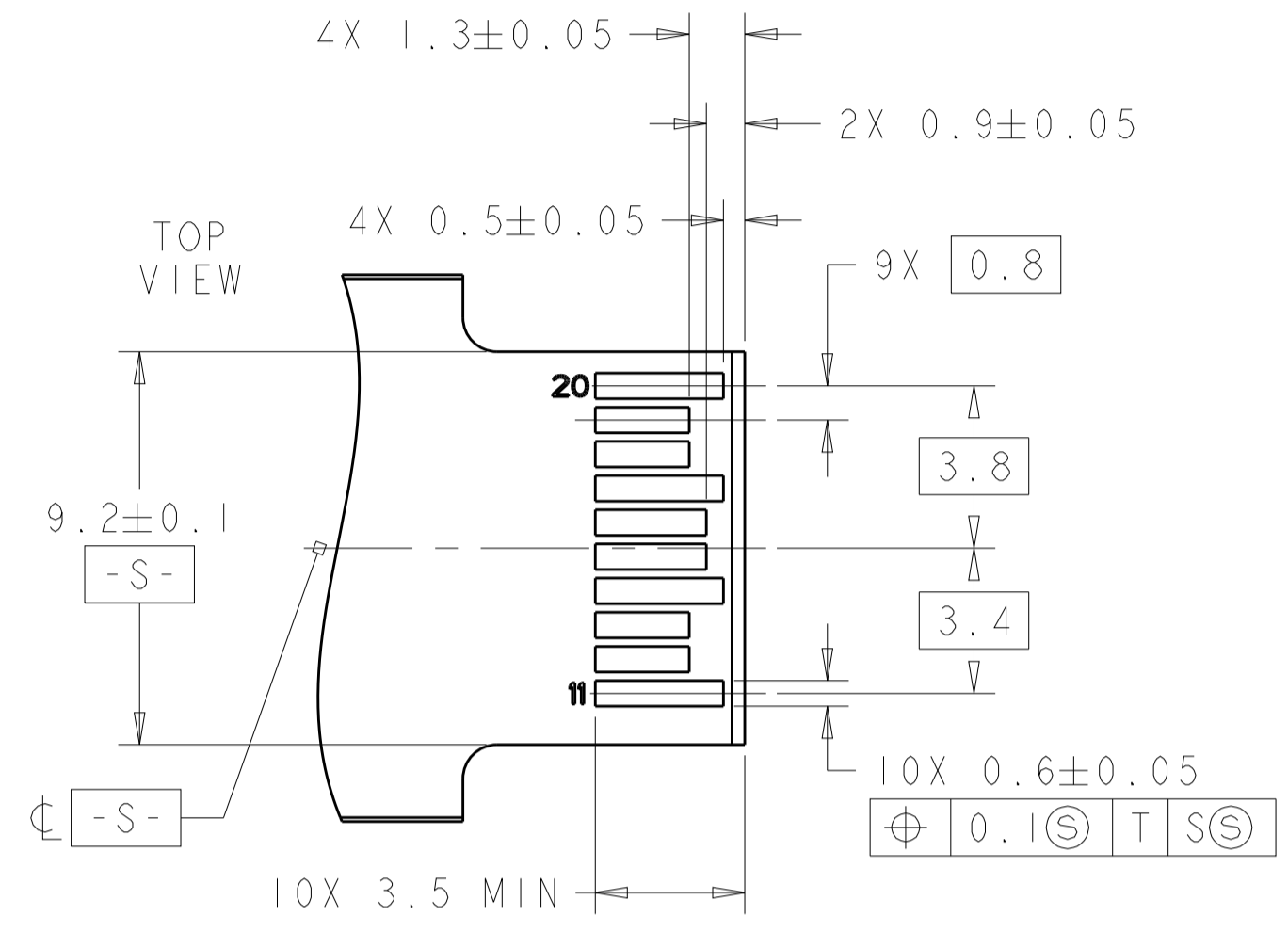


THE HOLE SIZE IS RECOMMENDED ON THE  
 PAGE 4 (TOP OF FIGURE2 FOR CONNECTOR)  
 OF THE TE DOCUMENT 114-13103  
 $\varnothing 0.08 \text{ (M)} | D \text{ (S)} | E \text{ (S)}$   
 40X4 HOLES

DETAIL A  
 SCALE 15:1

THIS DRAWING IS A CONTROLLED DOCUMENT.		DWN: JASON YANG ZOMAR2012		TE Connectivity	
DIMENSIONS: mm		CHK: ALEX CAI ZOMAR2012			
TOLERANCES UNLESS OTHERWISE SPECIFIED:		APVD: ALEX CAI ZOMAR2012		NAME: CAGE AND PT CONNECTOR ASSEMBLY, 2x4, PRESS FIT, LOW PROFILE, SFP	
0 PLC ±	1 PLC ±0.1	PRODUCT SPEC		SIZE: CAGE CODE DRAWING NO	
2 PLC ±	3 PLC ±	APPLICATION SPEC		RESTRICTED TO	
4 PLC ±	ANGLES ±	114-13103		A100779C=2170286	
MATERIAL FINISH		WEIGHT		SCALE 4:1 SHEET 2 OF 3 REV B	
		Customer Drawing			

LOC		DIST		REVISIONS			
ES	00	P	LTN	DESCRIPTION	DATE	DWN	APVD
		-		SEE SHEET 1			



RECOMMENDED LAYOUT FOR  
 MATING TRANSCEIVER PCB  
 SCALE 6:1

THIS DRAWING IS A CONTROLLED DOCUMENT.		DWN: JASON YANG ZOMAR2012	TE Connectivity
DIMENSIONS: mm		CHK: ALEX CAI ZOMAR2012	
TOLERANCES UNLESS OTHERWISE SPECIFIED: 0 PLC ± 1 PLC ±0.1 2 PLC ± 3 PLC ± 4 PLC ± ANGLES ±		APVD: ALEX CAI ZOMAR2012	NAME: CAGE AND PT CONNECTOR ASSEMBLY, 2x4, PRESS FIT, LOW PROFILE, SFP
MATERIAL: FINISH:		PRODUCT SPEC: 108-2161	SIZE: CAGE CODE DRAWING NO: A100779C=2170286
		APPLICATION SPEC: 114-13103	RESTRICTED TO: -
		WEIGHT: -	SCALE: 1:1 SHEET 3 OF 3 REV B
		Customer Drawing	

单击下面可查看定价，库存，交付和生命周期等信息

[>>TE Connectivity\(泰科\)](#)