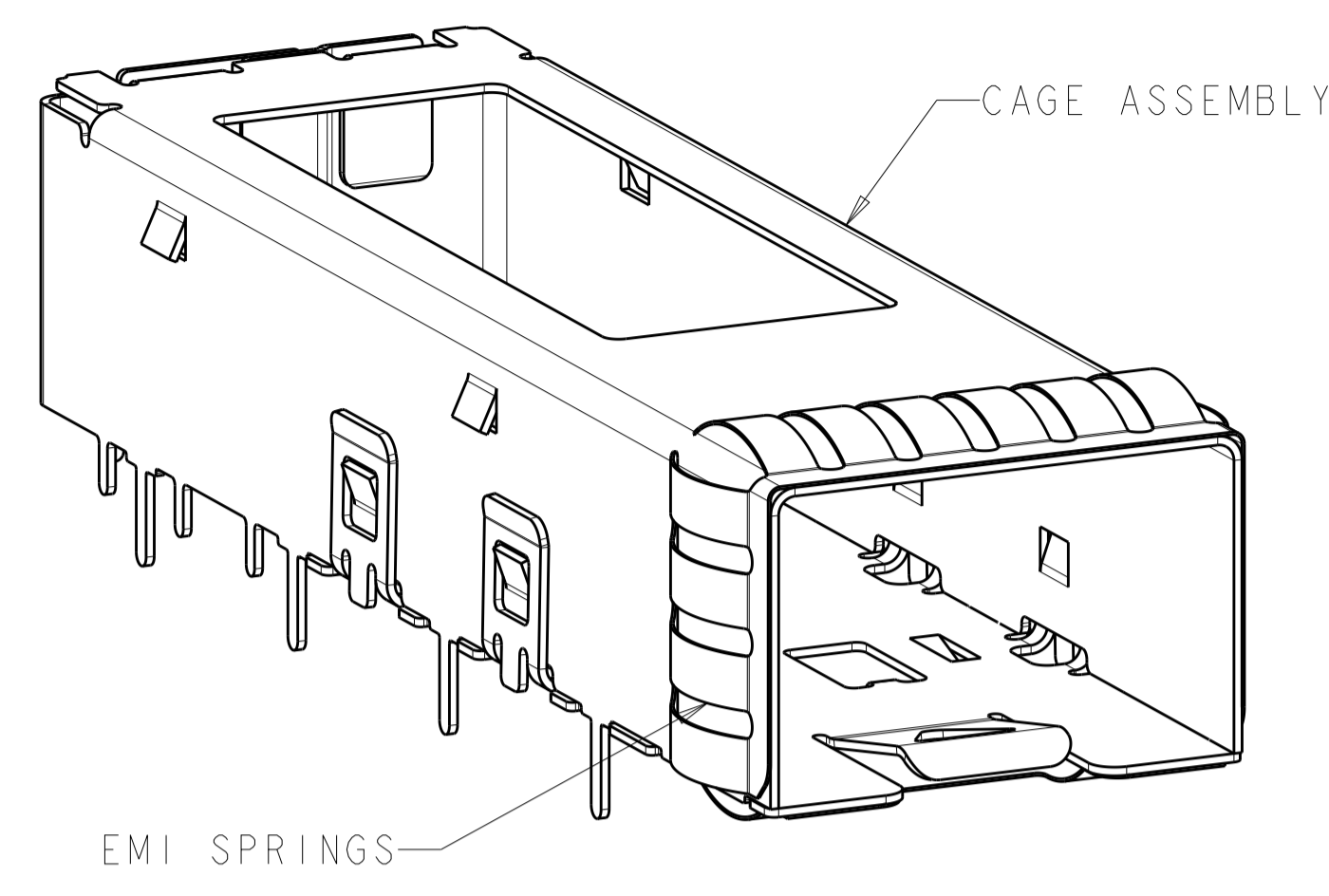
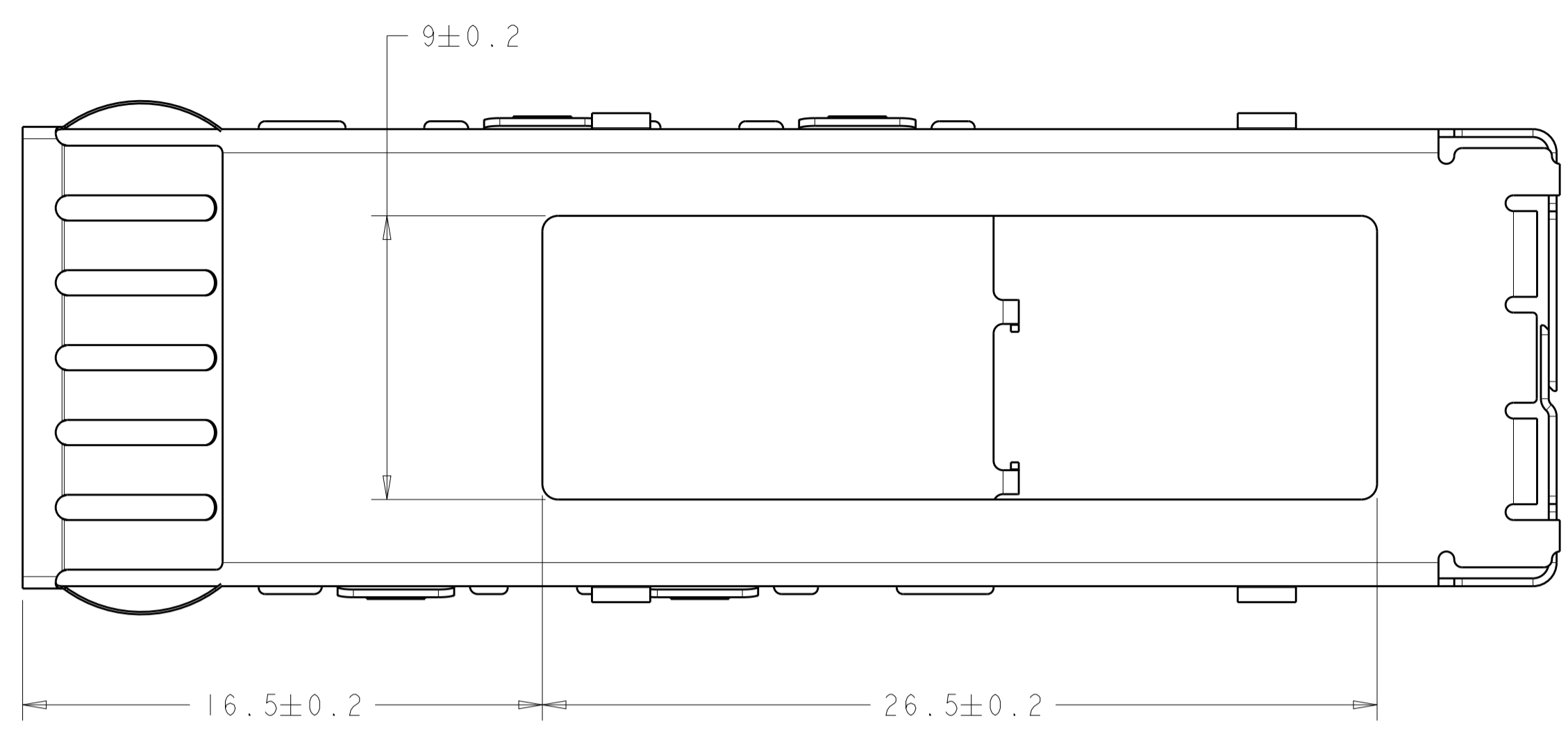


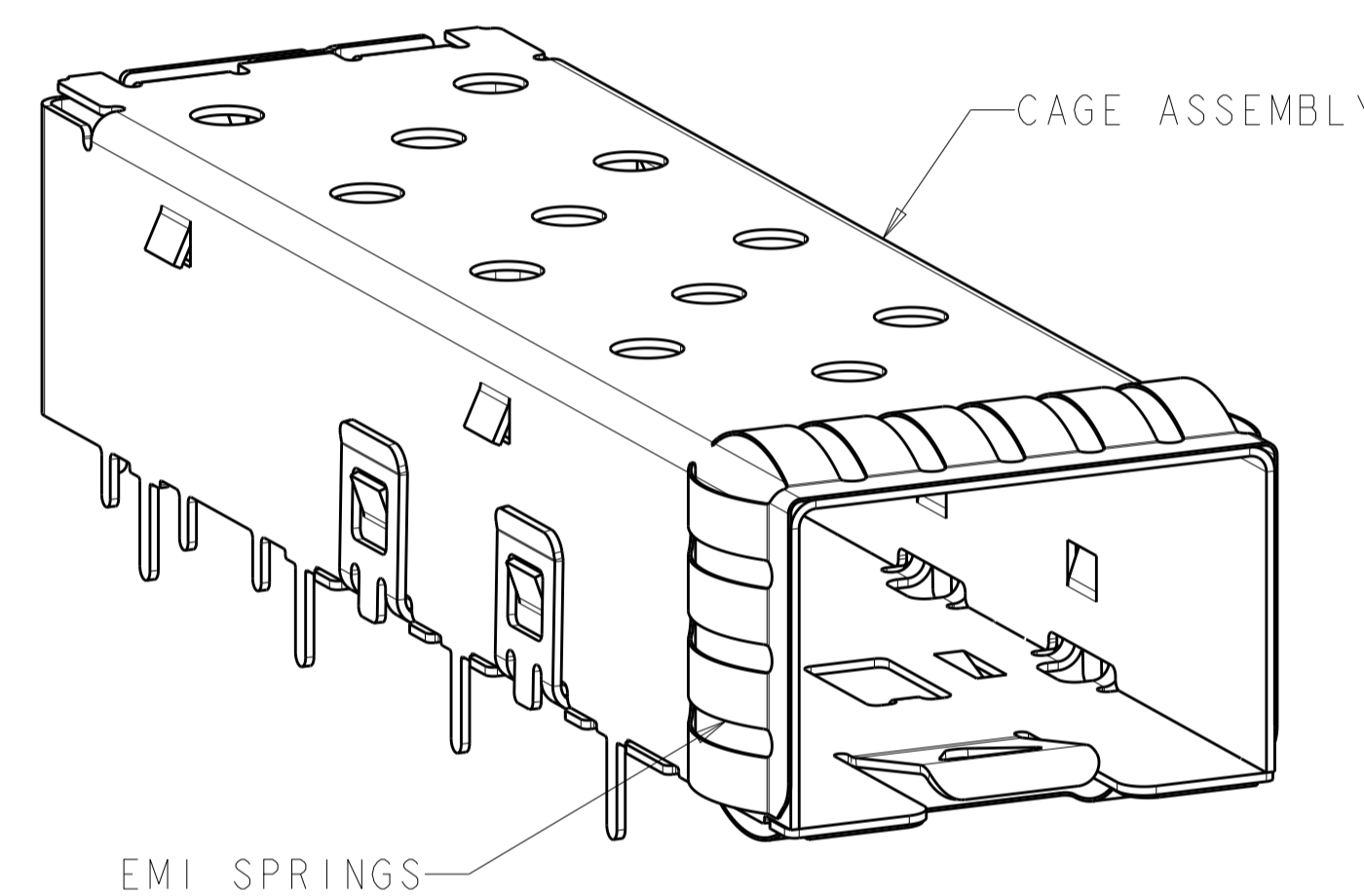
LOC		DIST		REVISIONS			
GP	00	P	LTN	DESCRIPTION	DATE	DMN	APVD
		C1		REVISED PER ECO-11-004835	11MAR2011	RK	HMR
		D		REVISED PER ECO-11-019224	05JAN2012	TX	AC
		D2		REVISED PER ECR-18-001078	23JAN2018	IT	SH



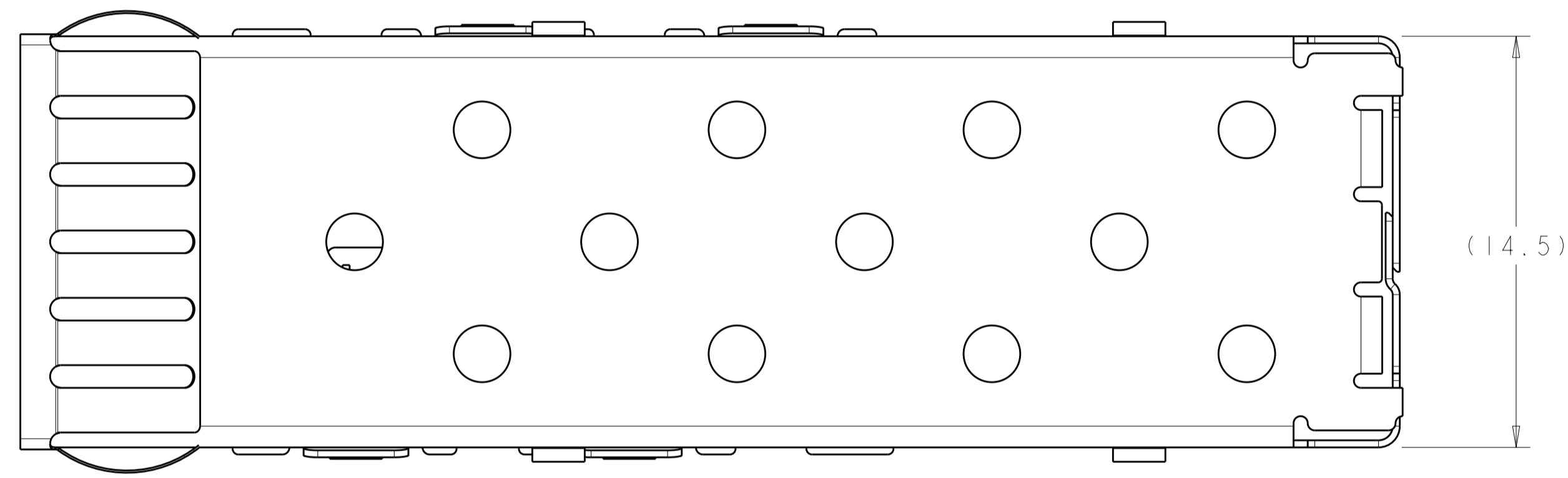
2007194-2
SCALE 5:1



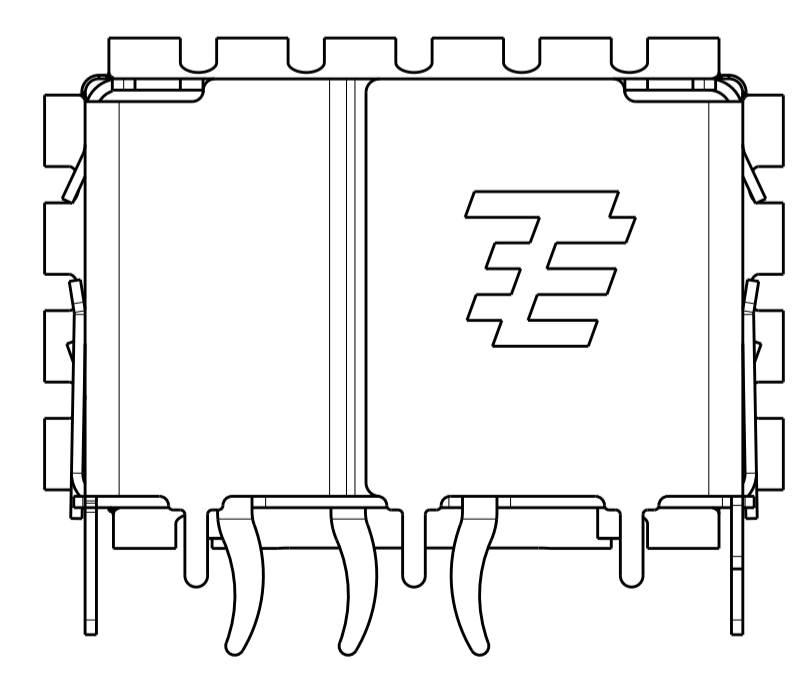
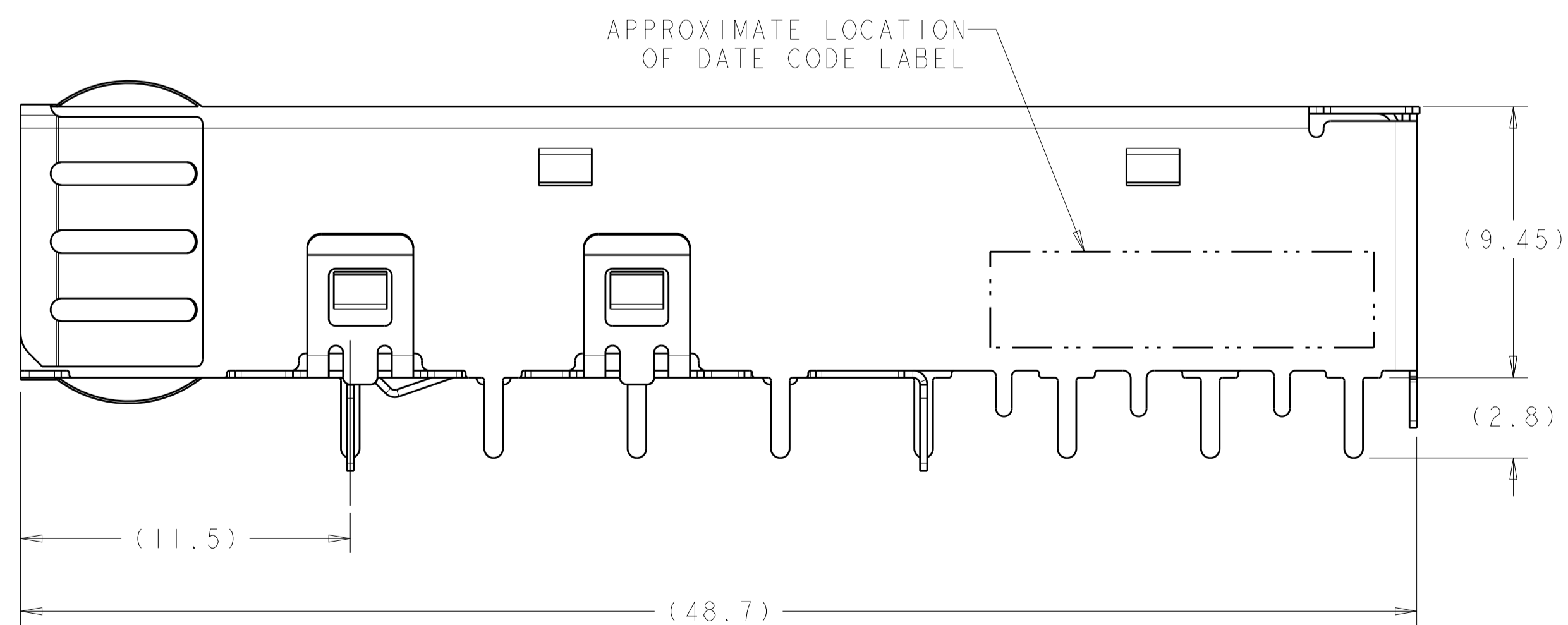
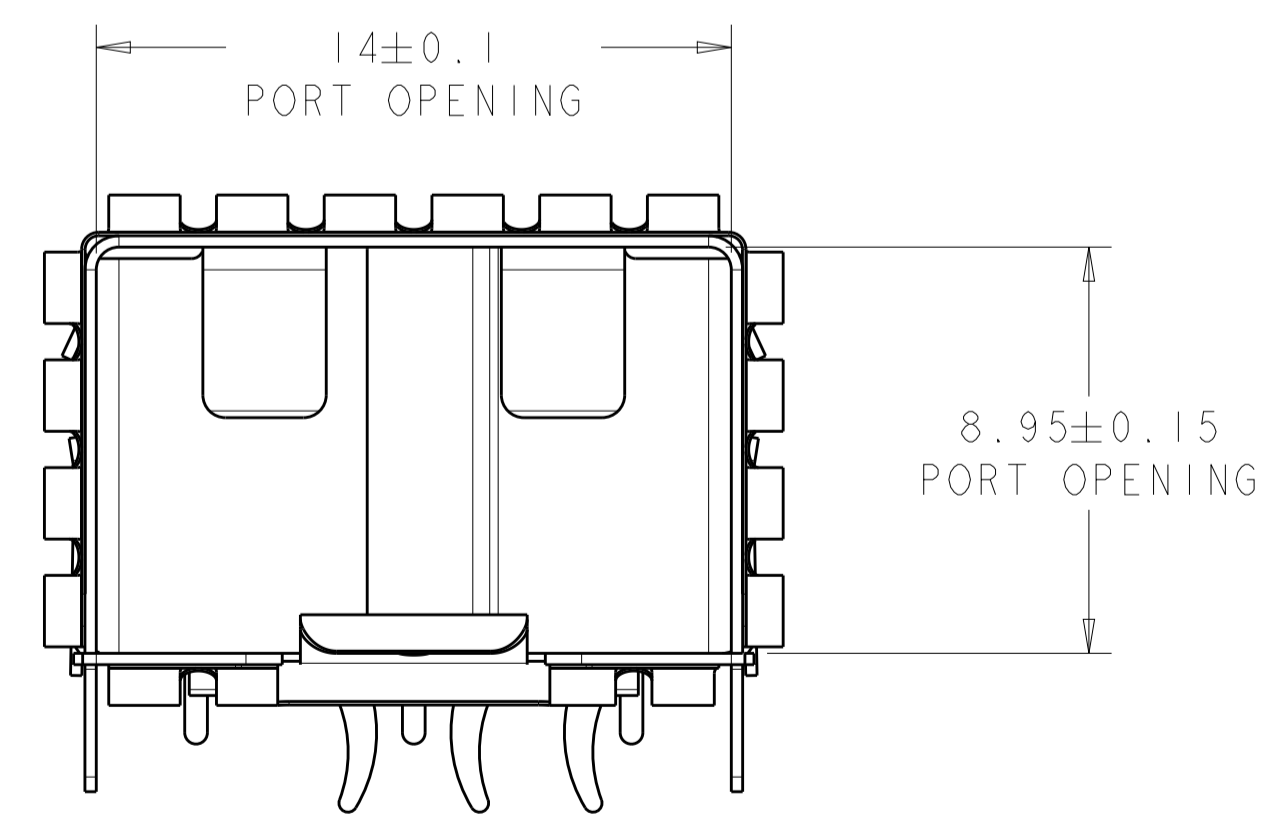
2007194-2
SAME AS 2007194-1 EXCEPT AS SHOWN
TOP VIEW



2007194-1
SCALE 5:1



2007194-1
TOP VIEW



TAPE&REEL	EMI HOLES	2007194-5
TRAY	HEATSINK OPENING	2007194-2
TRAY	EMI HOLES	2007194-1
PACKAGE	DESCRIPTION	PART NUMBER

THIS DRAWING IS A CONTROLLED DOCUMENT. DWN Z.M.BEAM 10JUL2007
 CHY M.R.SCHMITT 10JUL2007
 APVD R.H.WERTZ 10JUL2007

DIMENSIONS: mm
 0 PLC ±0.1
 1 PLC ±0.1
 2 PLC ±0.1
 3 PLC ±0.05
 4 PLC ±0.05
 ANGLES ±0.05

TOLERANCES UNLESS OTHERWISE SPECIFIED:
 FINISH

MATERIAL

PRODUCT SPEC 108-2364
 APPLICATION SPEC 114-13120
 WEIGHT

CUSTOMER DRAWING

STC TE Connectivity

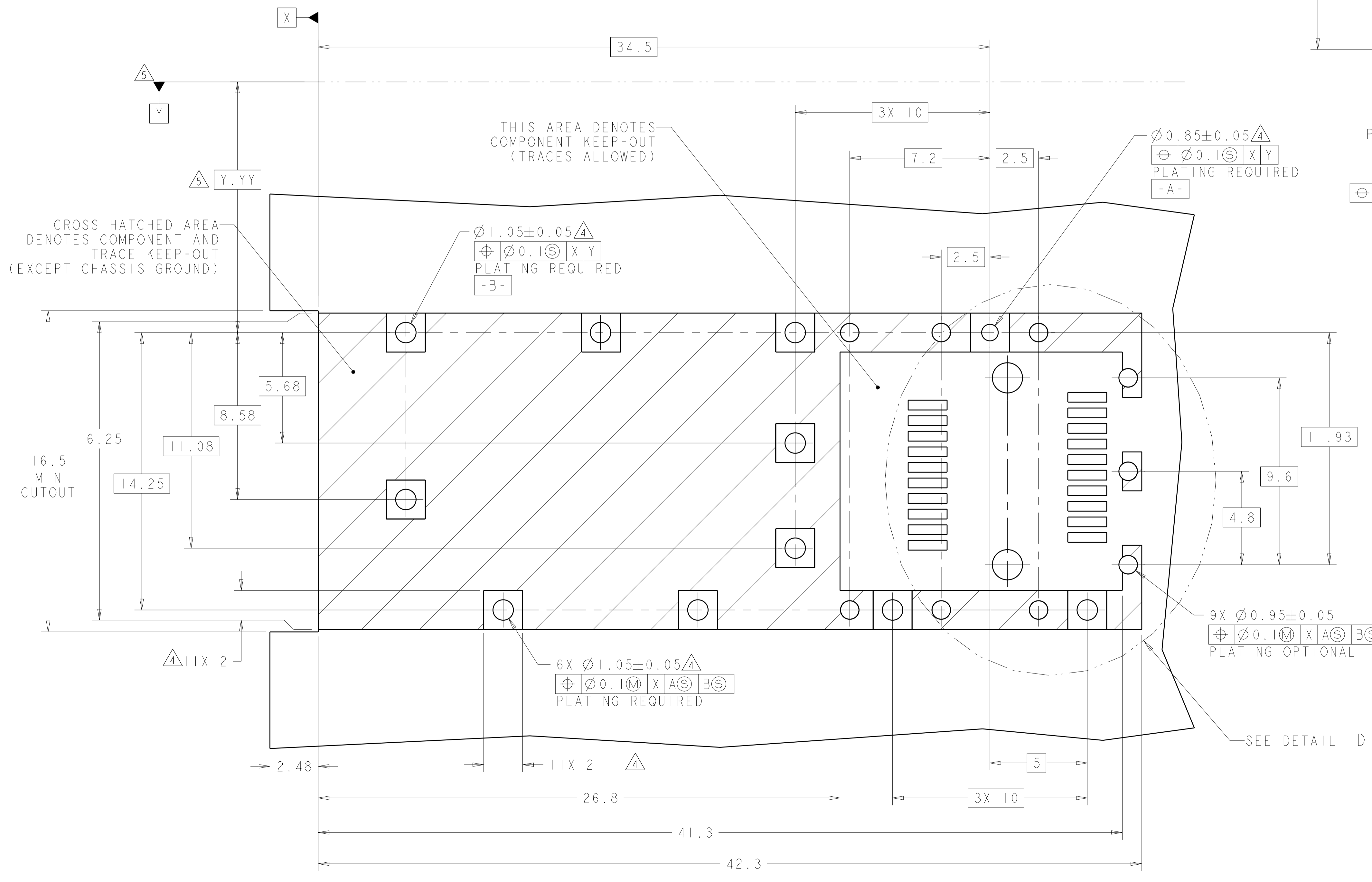
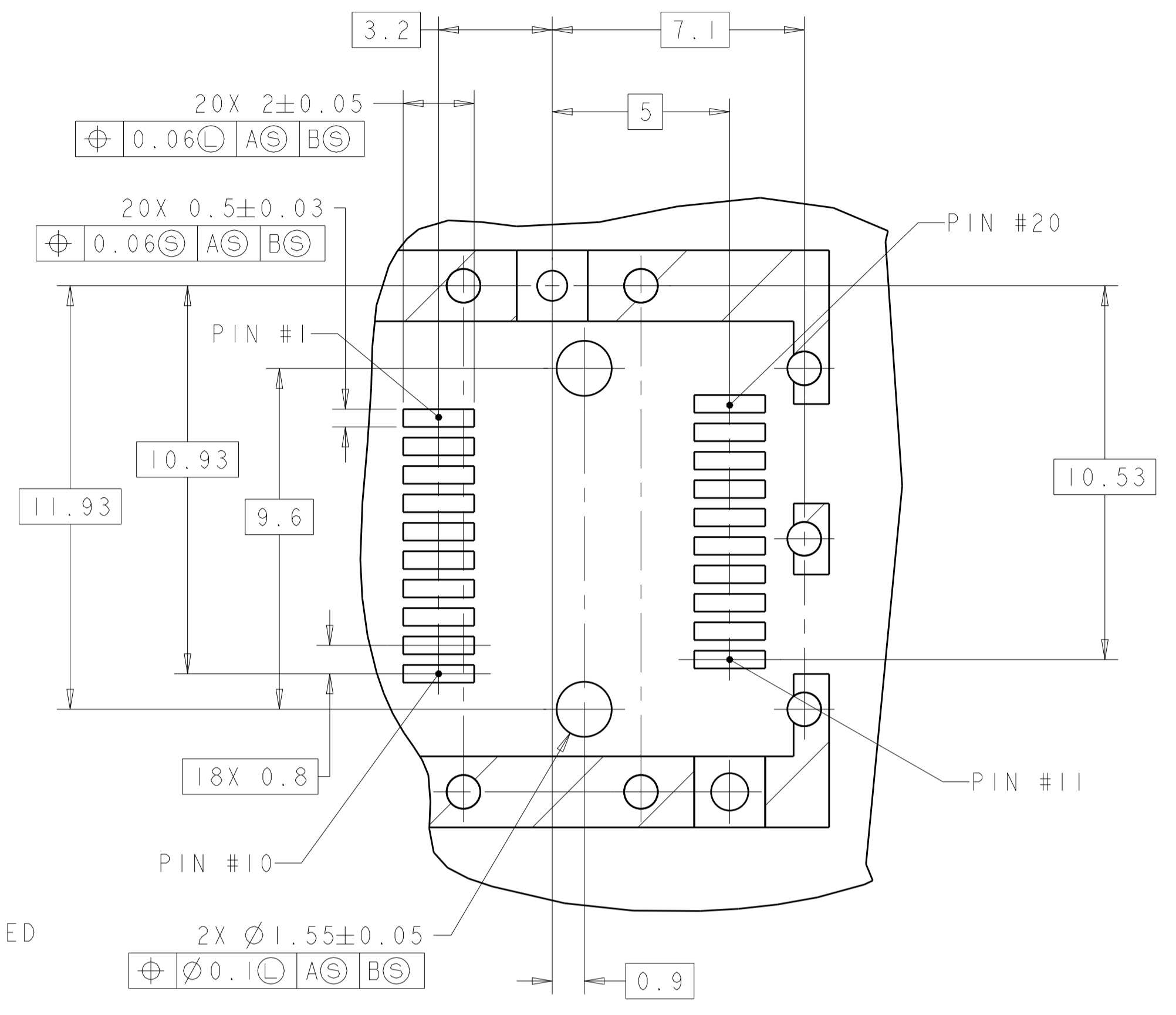
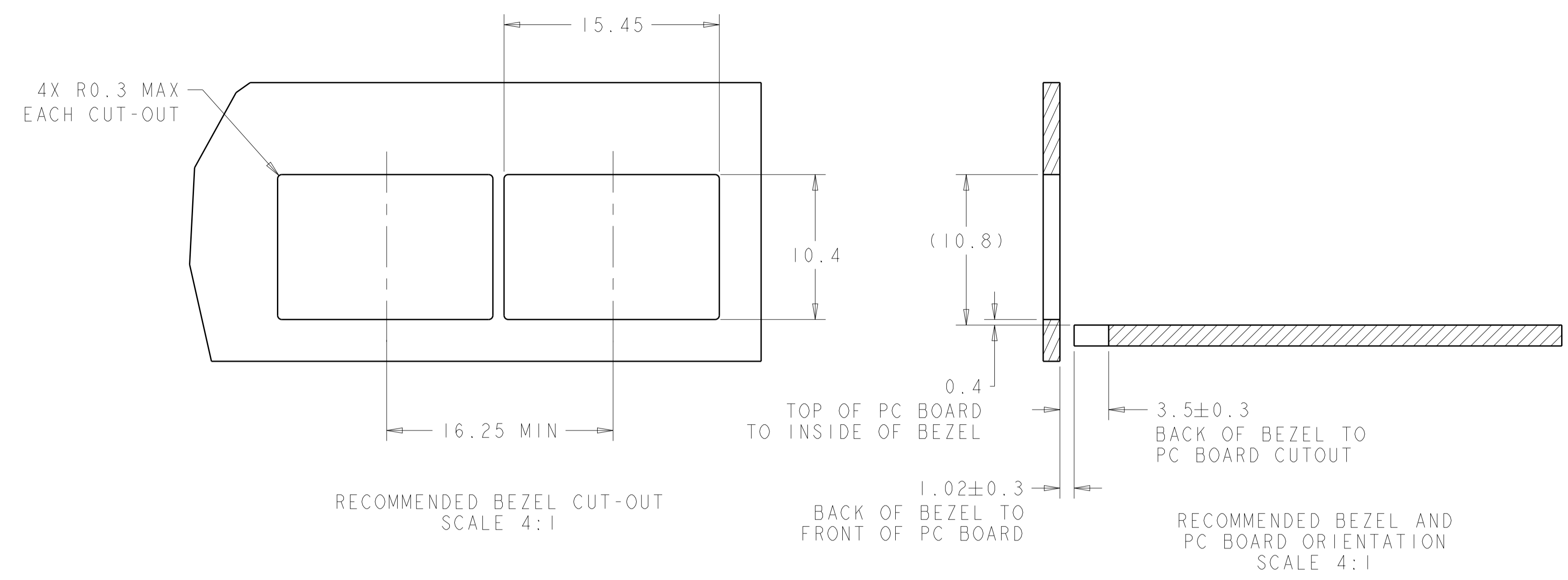
NAME SFP+ 1X1 CAGE ASSEMBLY, PCI, SOLDER TAILS, EXTERNAL EMI SPRINGS

SIZE CAGE CODE DRAWING NO. RESTRICTED TO
 A100779C=2007194

SCALE 6:1 SHEET 1 OF 2 REV D2

- 1 MATERIAL:
CAGE ASSEMBLY - 0.25mm THICK NICKEL-SILVER ALLOY.
EMI SPRINGS - COPPER ALLOY.
- 2 FINISH:
EMI SPRINGS - 0.8um MIN MATTE TIN OVER 0.8um MIN NICKEL
NON PLATED EDGES PERMISSIBLE.
3. MATES WITH SFP MSA COMPLIANT TRANSCEIVERS.
- 4 PADS AND VIAS CHASSIS GROUND.
- 5 DATUMS AND BASIC DIMENSIONS ESTABLISHED BY CUSTOMER.
6. MINIMUM PC BOARD THICKNESS:
SINGLE SIDED = 1.50mm.
7. NOTE DELETED

LOC	DIST	REV	DATE	BY	APPV
GP	00				



THIS DRAWING IS A CONTROLLED DOCUMENT.		OWN Z. M. BEAM	10JUL2007	TE Connectivity SFP+ IXI CAGE ASSEMBLY, PCI, SOLDER TAILS, EXTERNAL EMI SPRINGS			
DIMENSIONS:		CHK M. R. SCHMITT	10JUL2007				
TOLERANCES UNLESS OTHERWISE SPECIFIED:		APPV R. H. WERTZ	10JUL2007				
mm		PRODUCT SPEC	108-2364				
0 PLC ±0.1		APPLICATION SPEC	114-13120	SIZE	CAGE CODE	DRAWING NO	RESTRICTED TO
1 PLC ±0.1		WEIGHT		A100779	C=2007194		
2 PLC ±0.1		CUSTOMER DRAWING		SCALE	6:1	SHEET	2 OF 2
3 PLC ±0.05							REV D2
4 PLC ±0.05							
ANGLES ±0.05							

单击下面可查看定价，库存，交付和生命周期等信息

[>>TE Connectivity\(泰科\)](#)