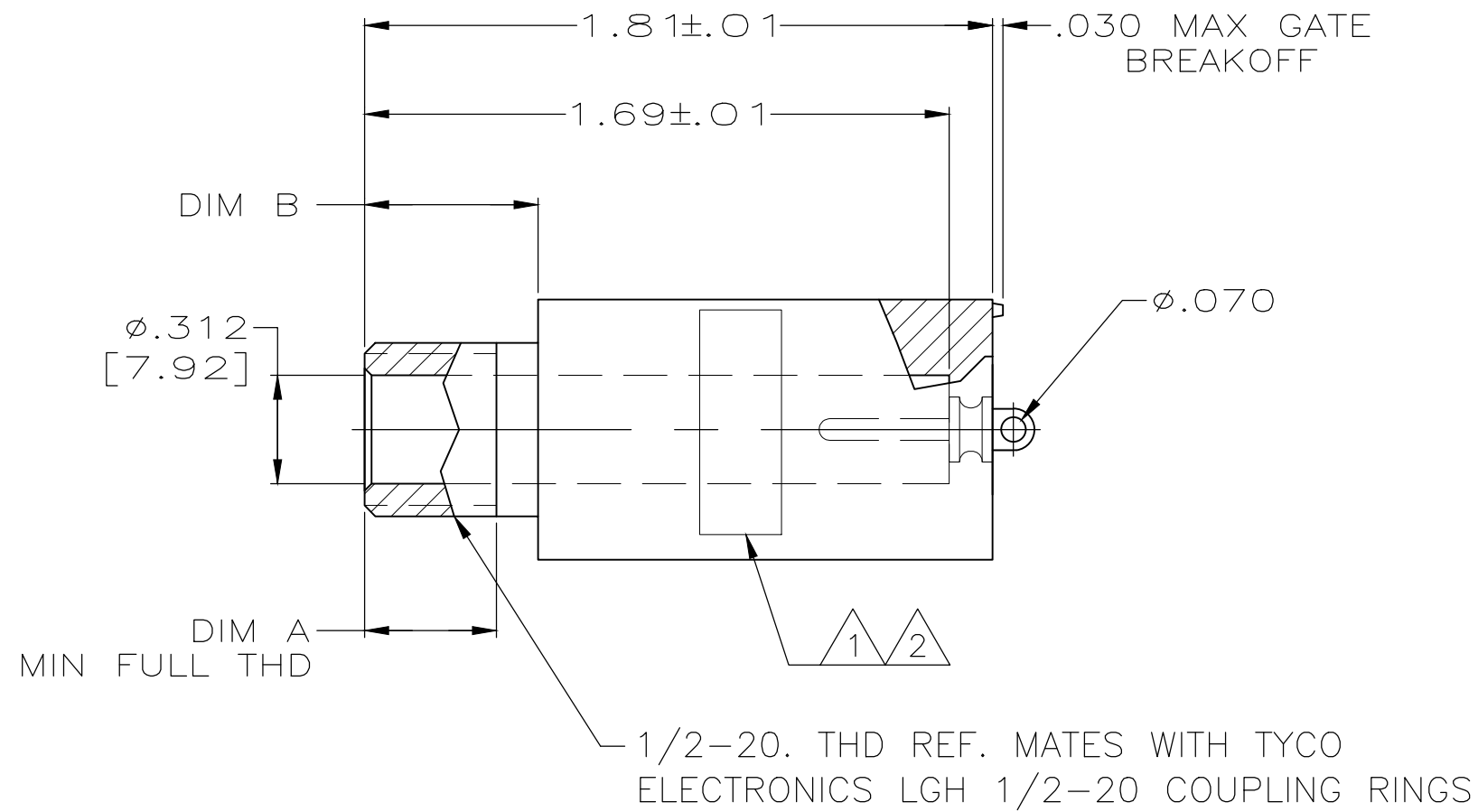
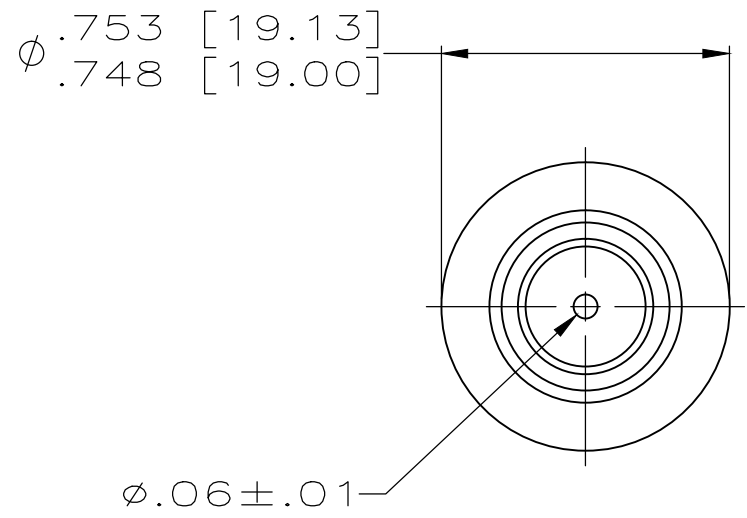


THIS DRAWING IS UNPUBLISHED. RELEASED FOR PUBLICATION - .N/A .
 © COPYRIGHT N/A By - ALL RIGHTS RESERVED.

| LOC | DIST | REVISIONS | | | | | |
|-----|------|-----------|-----|---------------------------|-----------|-----|------|
| DF | SO | P | LTR | DESCRIPTION | DATE | DWN | APVD |
| | | L | | REVISED PER ECO-15-007054 | 06JUN2015 | MGM | CT |



- 1 MARKED PER MIL-STD-130.
- 2 MARKED PER MIL-STD-130, INCLUDING SPECIAL CUSTOMER MARKING FOR -7 ONLY.
- 3 CONTACT FINISH: TIN-LEAD .00010 MIN. THK PER SAE-AMS-P-81728 AND PARAGRAPH 6.3, 3-13% LEAD

| - | .500 [12.70] | .38 [9.7] | TIN | 5-858868-1 |
|----------|--------------|------------|------------------|-------------|
| 2 | .500 [12.70] | .38 [9.7] | GOLD | 858868-7 |
| 3 | .630 [16.00] | .56 [14.2] | TIN-LEAD | 858868-5 |
| OBSOLETE | .500 [12.70] | .38 [9.7] | GOLD | 858868-2 |
| 3 | .500 [12.70] | .38 [9.7] | TIN-LEAD | 858868-1 |
| REMARKS | DIM B | DIM A | TERMINAL PLATING | PART NUMBER |

| | | | | |
|--|--|-------------------------------------|-----------------------------------|------------------------|
| THIS DRAWING IS A CONTROLLED DOCUMENT. | | DWN MANJUNATH G M 06JUN2015 | STE TE Connectivity | |
| DIMENSIONS: INCHES | | CHK CHARLES THOMAS 06JUN2015 | | |
| TOLERANCES UNLESS OTHERWISE SPECIFIED: | | APVD CHARLES THOMAS 06JUN2015 | NAME RECEPTACLE ASSEMBLY LGH-1 | |
| 0 PLC ± - 1 PLC ± - 2 PLC ± - 3 PLC ± .005[0.13] 4 PLC ± - ANGLES ± - | | PRODUCT SPEC - | APPLICATION SPEC - | |
| MATERIAL GLASS EPOXY MLDG CMPD | | FINISH SEE TABLE | WEIGHT - | SIZE A3 |
| CUSTOMER DRAWING | | | CAGE CODE 00779 | DRAWING NO C-858868 |
| SCALE 2:1 | | | SHEET 1 OF 1 | REV L |

单击下面可查看定价，库存，交付和生命周期等信息

[>>TE Connectivity\(泰科\)](#)