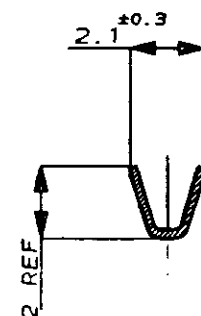
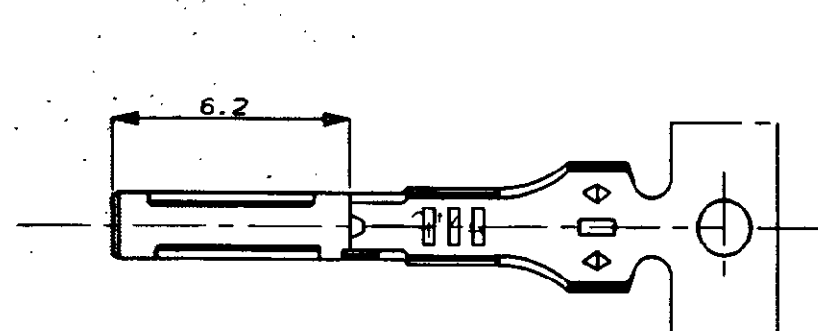


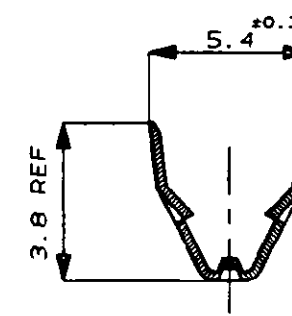
C.A.D. FILE CODE  
S. C345160.0

DO NOT SCALE

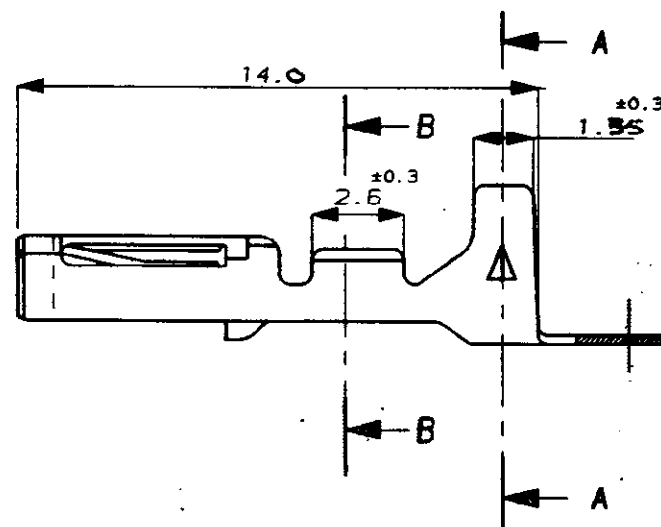
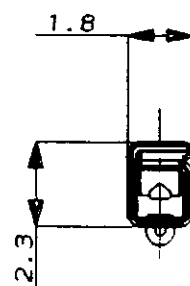
DIMENSIONS IN MM.



SECT. B-B



SECT. A-A



NOTES: -

- 1 WIRE DETAILS ; 0.2-0.5mm<sup>2</sup> , 1.2-2.0 INS. DIA.
- 2 SIMILAR TO PART NUMBER 173681.

PRE-TIN		PHOS. BRONZE		345160-1	
FINISH		MATERIAL		PART NUMBER	
CUSTOMER DWG FOR REFERENCE ONLY				RELEASED FOR PUBLICATION 16 OCT 1991	
TOLERANCES UNLESS OTHERWISE STATED ; DEC ± 0.5 ANGLES ± 1°		DR. D.R. TERRY CH. M MISTRY		10 OCT 1991 APP. M MISTRY	
<b>STE</b> TE Connectivity					
NAME .040 SERIES RECEPTACLE CONTACT MULTI-LOCK					
J	E-12-020691	05DEC12	SCALE	LOC	SIZE
A1	REVISED PER ECO-11-005294	11APR11	5/1	E	A3
REV	APPROVED	DATE	DWG.No. C345160		REV SHEET
					J 1/1

单击下面可查看定价，库存，交付和生命周期等信息

[>>TE Connectivity\(泰科\)](#)