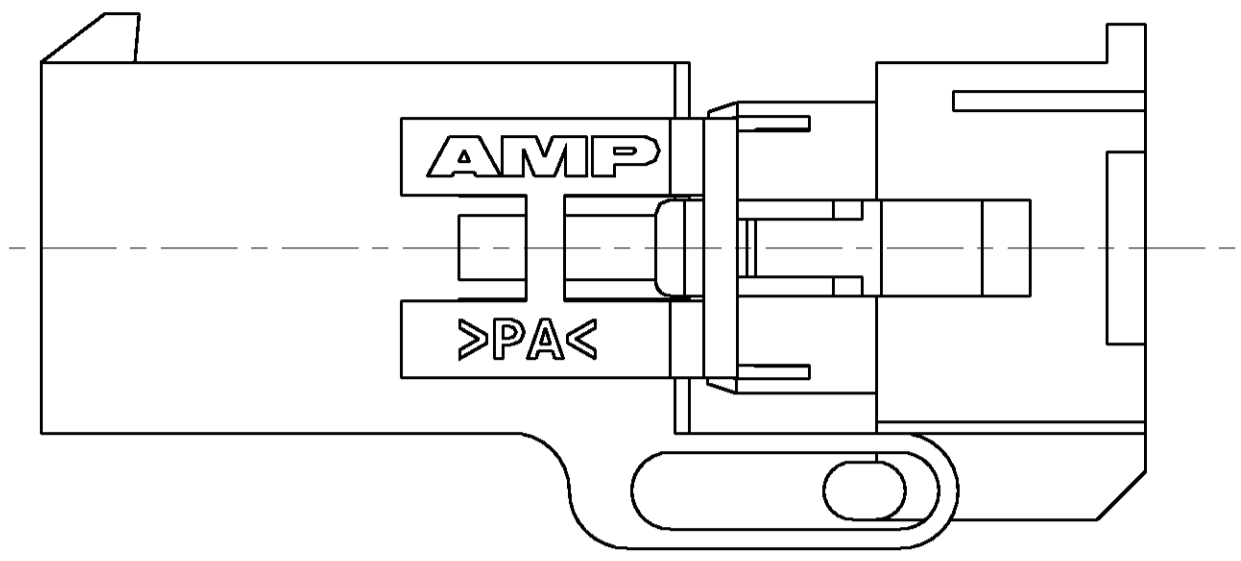
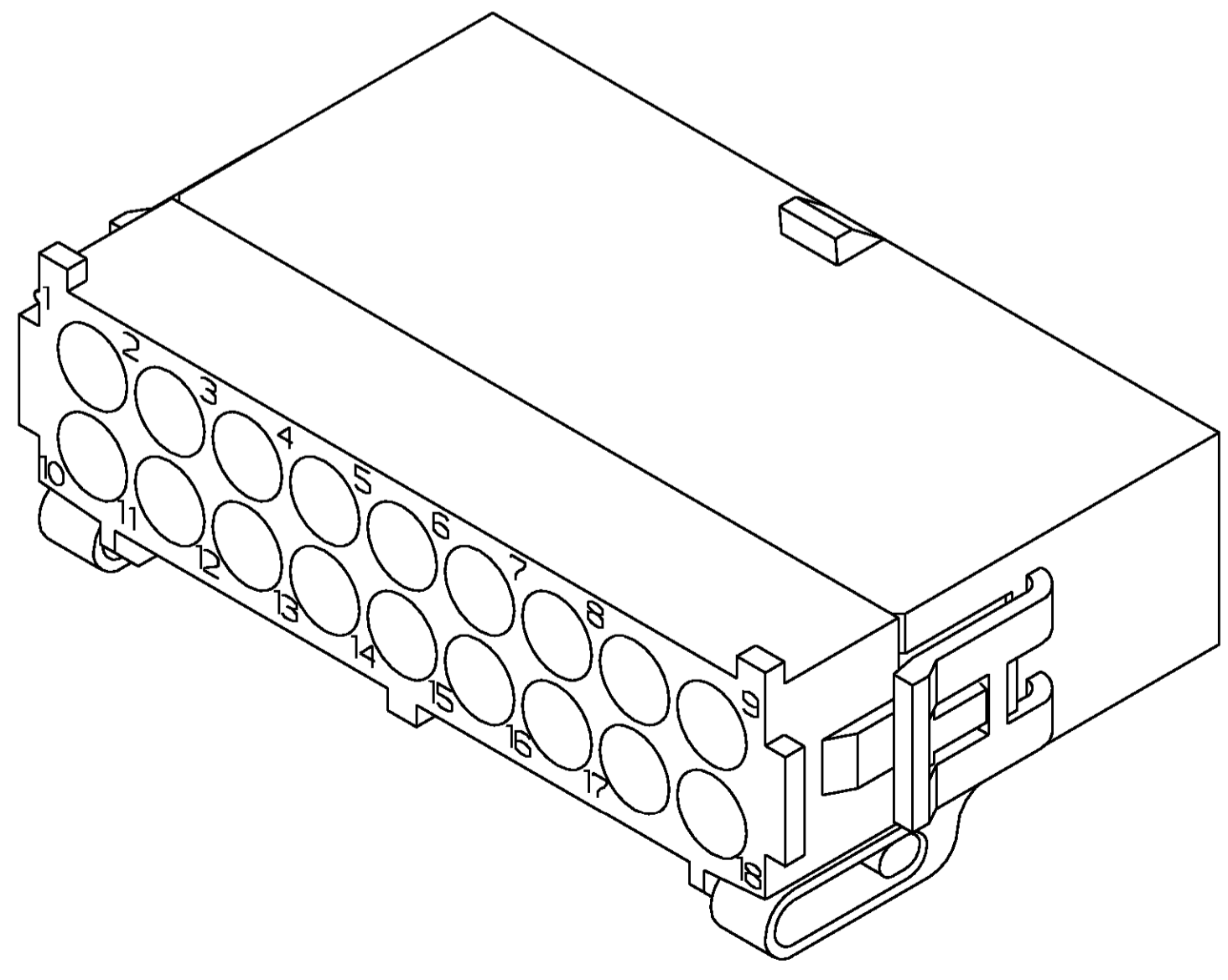
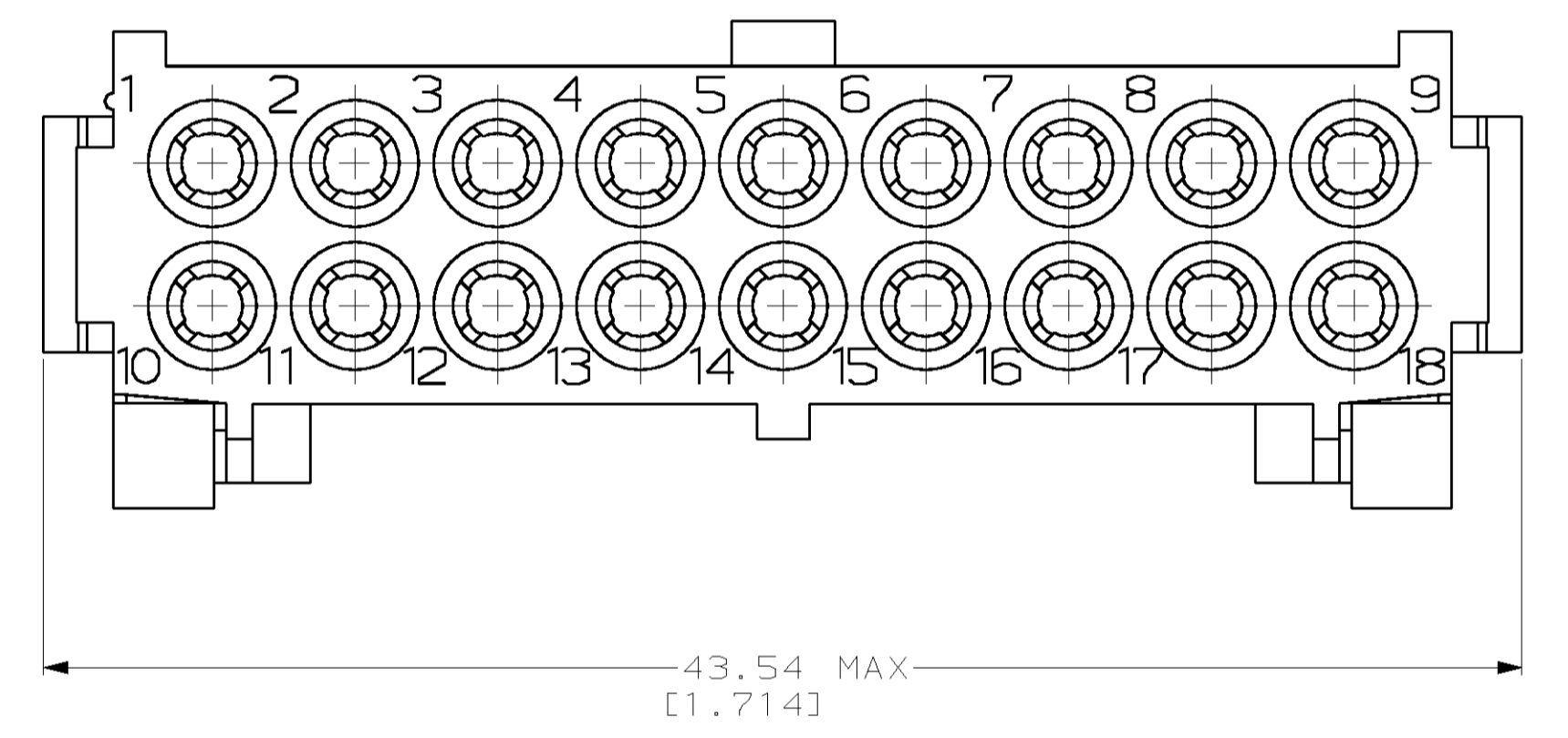
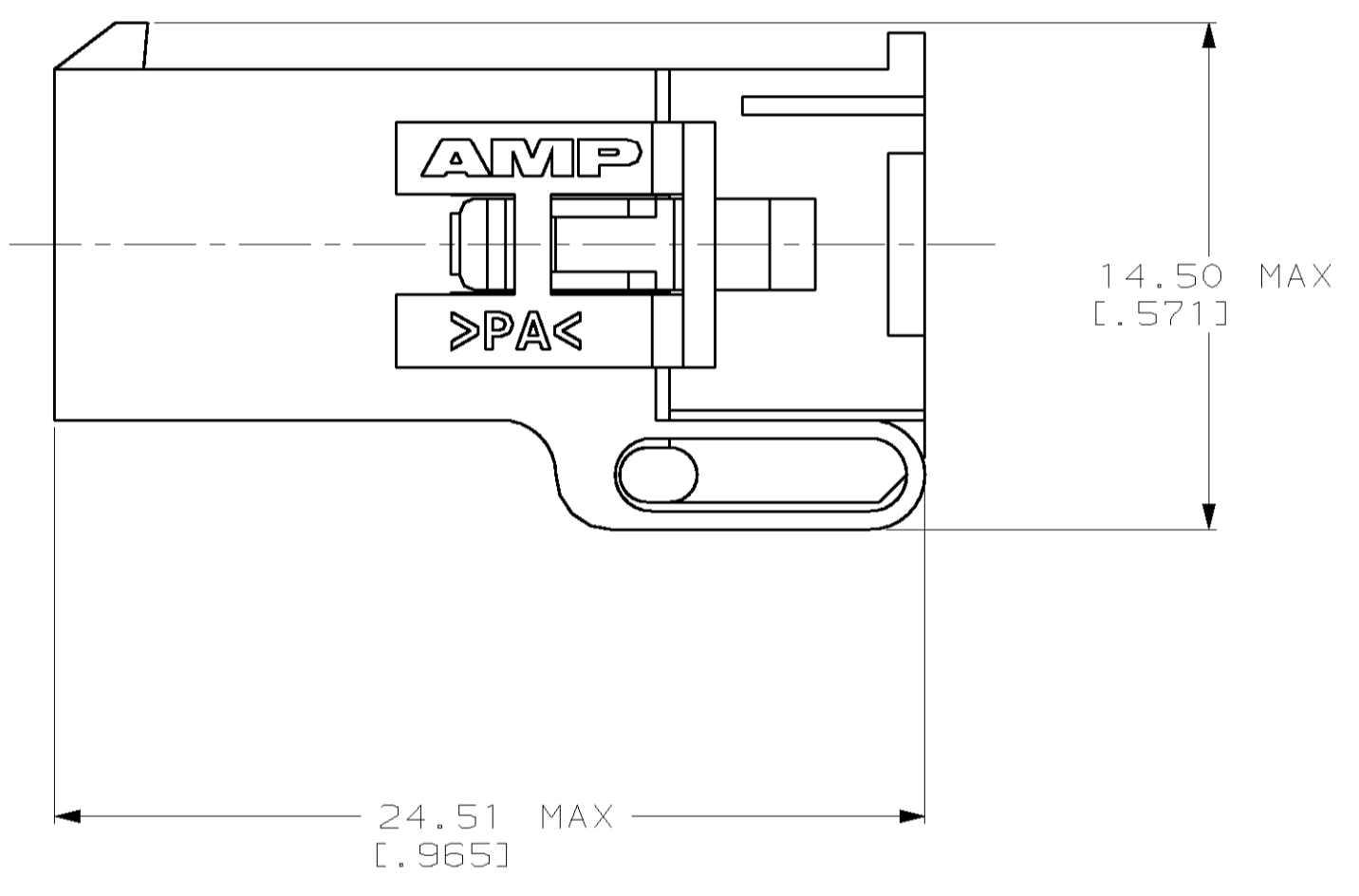
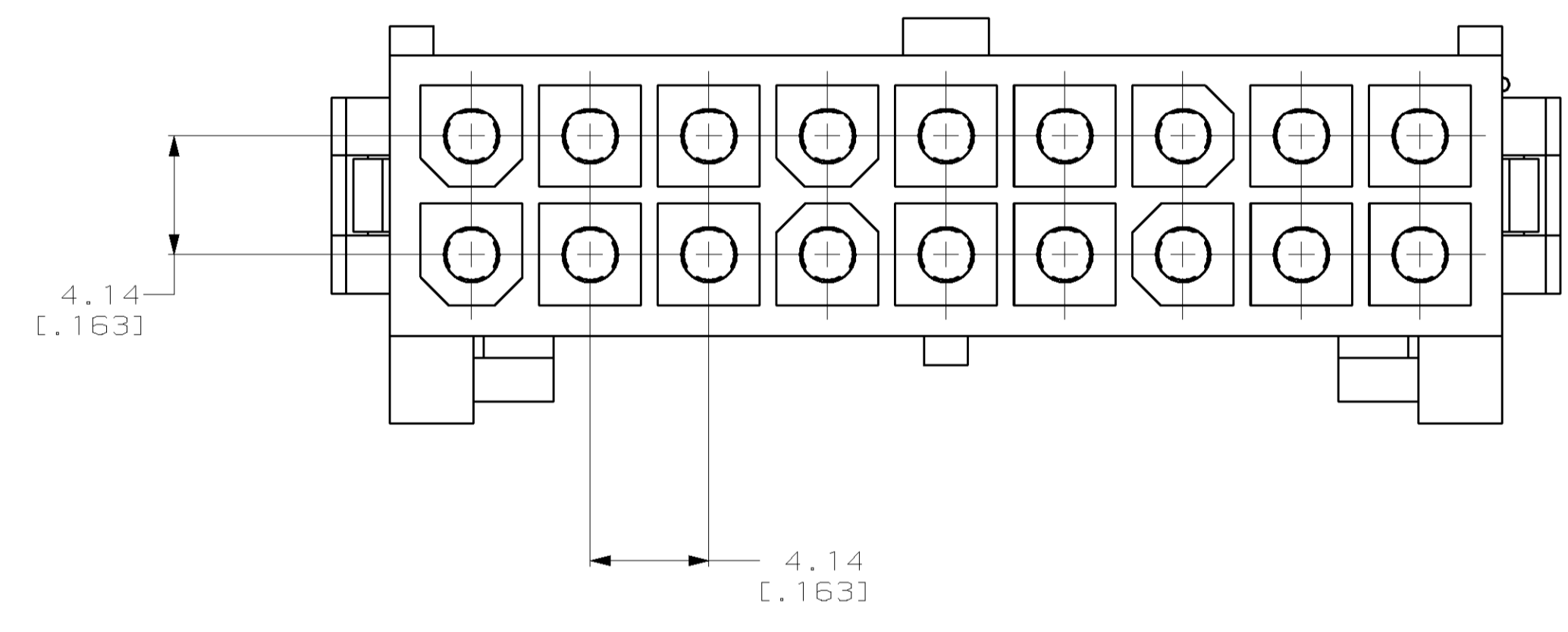


LOC		DIST		REVISIONS			
F	CHR	DATE	BY	CHK	APVD		
B		23-SEP-99	KW	EC			
REV PER EC 061B-0094-99							



PRE-STAGED CONDITION

1. DIMENSIONS IN BRACKETS ARE IN INCHES.



3-DIMENSIONAL MODEL  
NTS

794262-1  
PART NUMBER



THIS DRAWING IS A CONTROLLED DOCUMENT.		DWN K. WHITAKER	5-20-97	<b>AMP</b> AMP Incorporated Harrisburg, PA 17105-3608
DIMENSIONS:		CHK R. SWING	5-20-97	
TOLERANCES UNLESS OTHERWISE SPECIFIED:		APVD S. ORSTAD	5-20-97	NAME CAP, 18 CIRCUIT, MINI UNIVERSAL MATE-N-LOK™ 2
mm	0 PLC ±	PRODUCT SPEC		APPLICATION SPEC
	1 PLC ±	SIZE	A1	CAGE CODE
	2 PLC ±	WEIGHT		DRAWING NO
	3 PLC ±0.13 (0.005)	CUSTOMER DRAWING		RESTRICTED TO
	4 PLC ±	SCALE	5:1	SHEET
	ANGLES ±	SCALE	5:1	OF 1
MATERIAL NYLON, UL 94V-2,NATURAL	FINISH -	SCALE	5:1	REV
		SCALE	5:1	B

单击下面可查看定价，库存，交付和生命周期等信息

[>>TE Connectivity\(泰科\)](#)