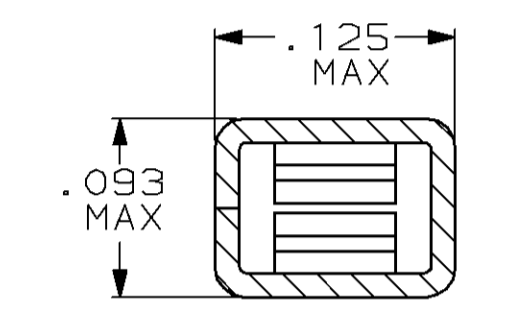
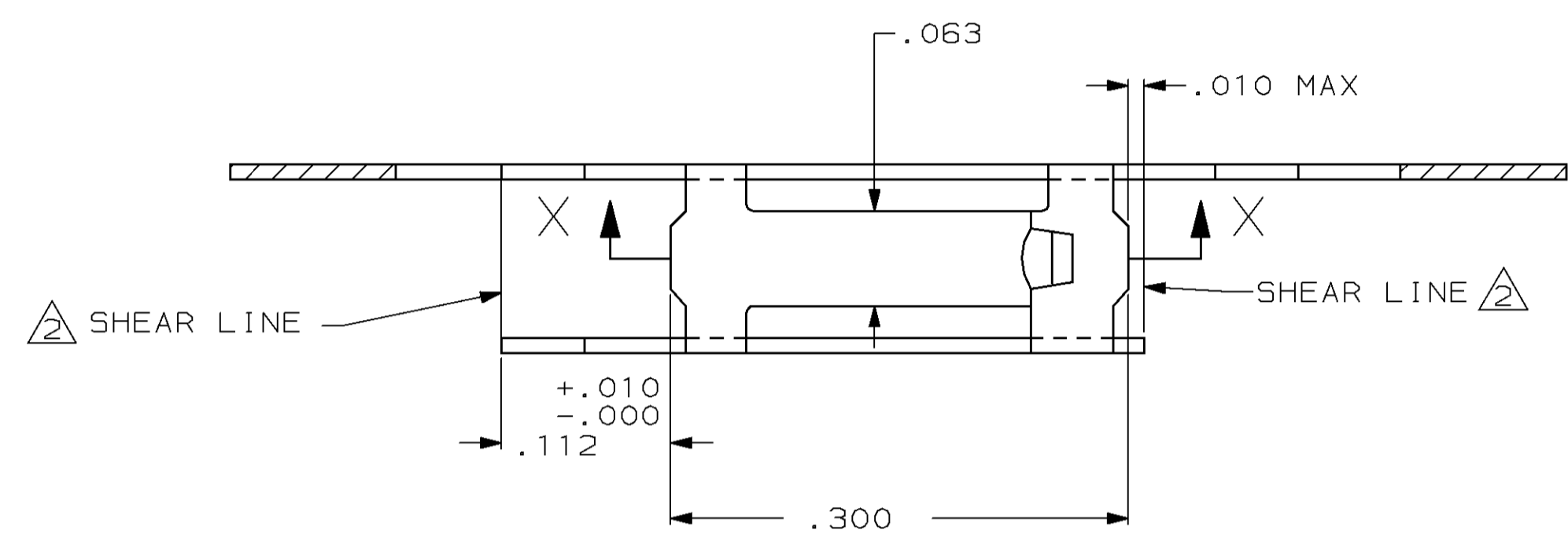
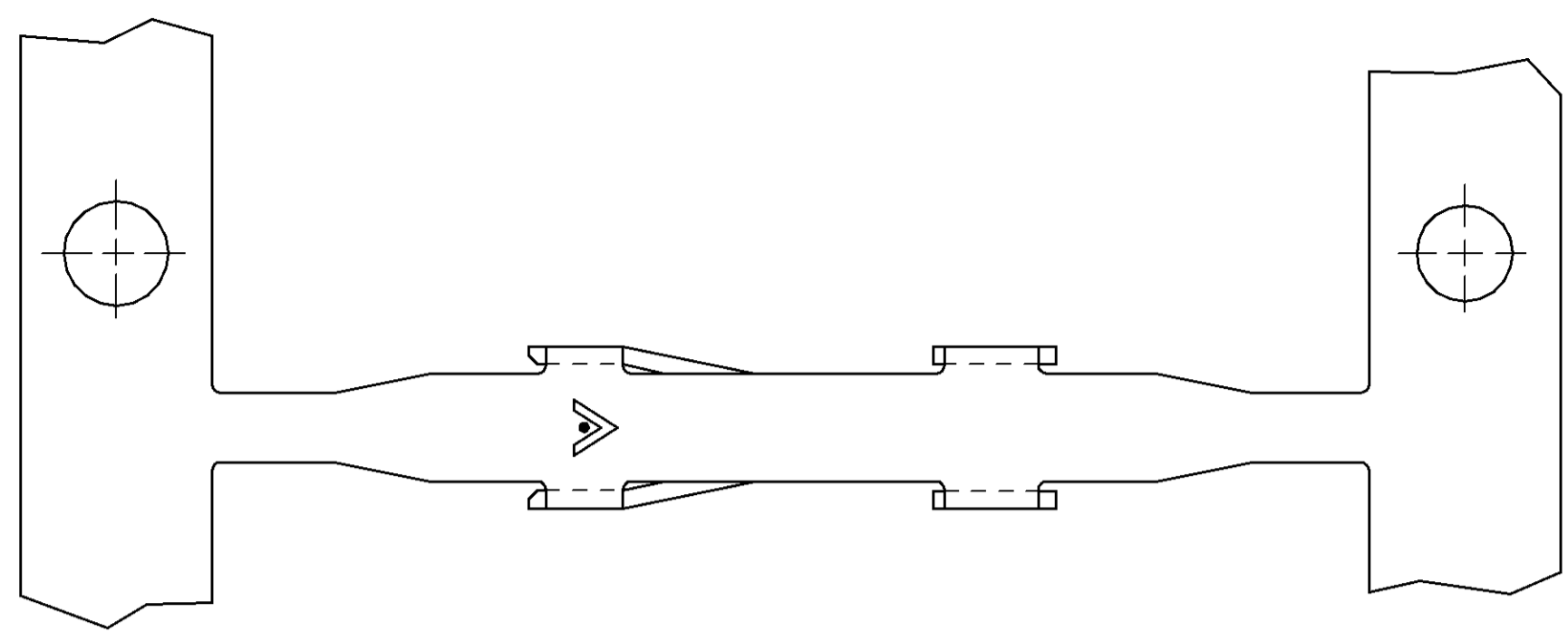
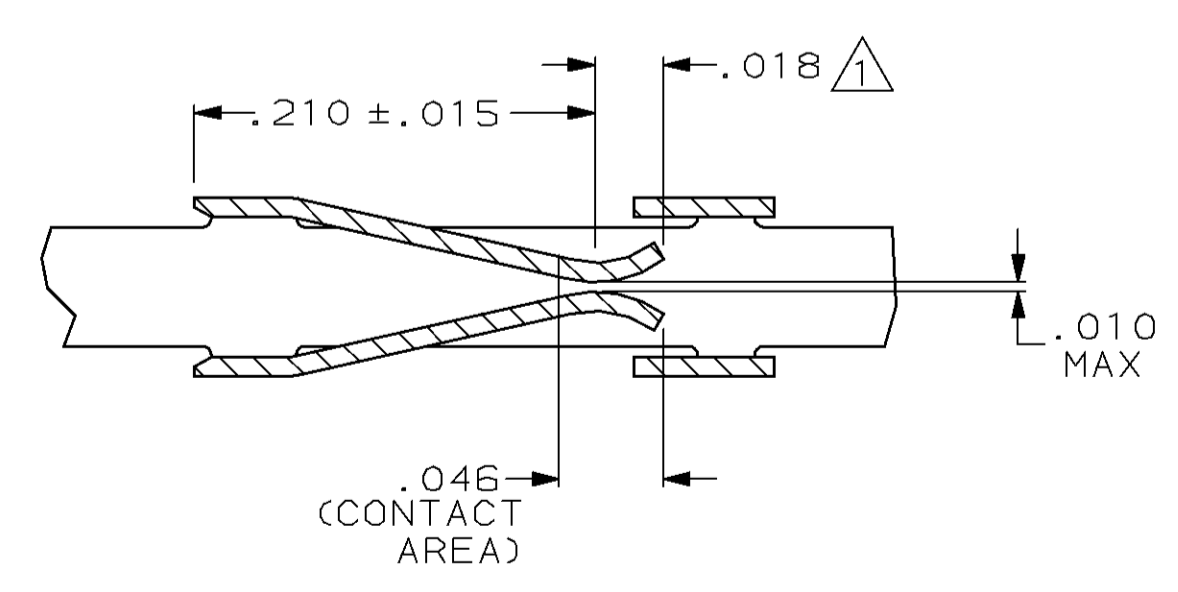
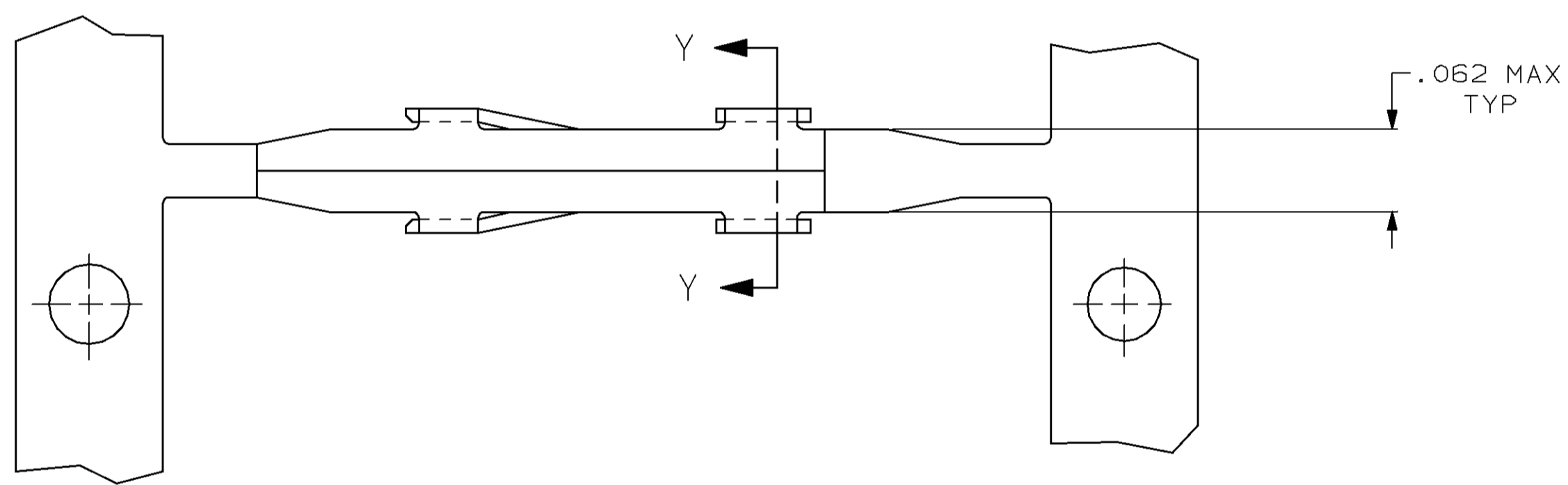


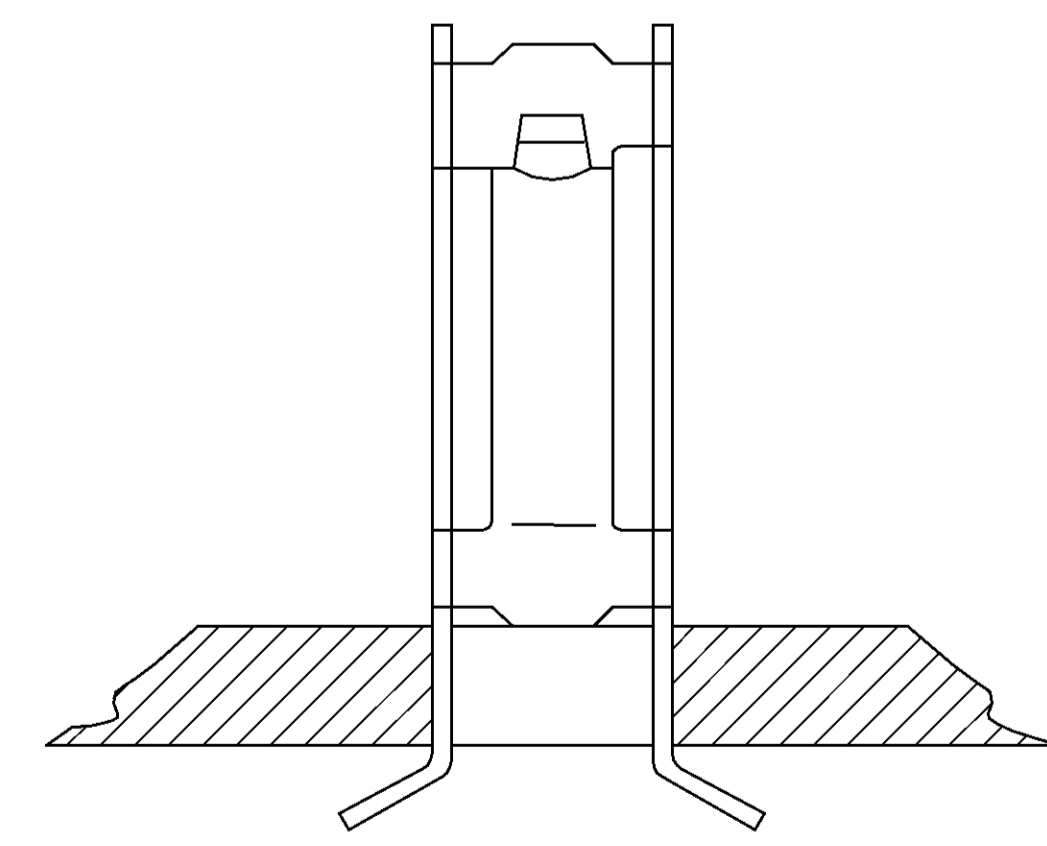
MOD	LOC	Q1ST	P	F	ZONE	LTR	DESCRIPTION	DATE	APPD
27	AD	39					REV REDRAWN PER AR2730	10-17-89	-
							REV PER ECN AR2785 & AR2794 JPG	11-10-89	-
							REV LOC & DIST AD-4171	3-90	BF
							REV PER 0010-0439-93	8-93	-
							REV PER 0010-1103-93	3-16-94	SAS
							REV PER 0010-1175-95	12-30-96	JH



SECTION Y-Y



SECTION X-X



TYPICAL APPLICATION

- 1 POINT OF MEASUREMENT FOR PLATING THICKNESS (INSIDE BEAMS)
- 2 SHEAR LINES DEFINE LOOSE PIECE PART.
- 3 PLAIN.
- 4 .000030 GOLD OVER .000050 NICKEL ENTIRE TERMINAL.
- 5 TIN PLATED.
- 6 GOLD FLASH OVER .000050 NICKEL ENTIRE TERMINAL, .000030 GOLD IN CONTACT AREA ONLY.
- 7 GOLD FLASH OVER .000050 NICKEL ENTIRE TERMINAL, .000015 GOLD IN CONTACT AREA ONLY.
- 8 .000015 GOLD IN CONTACT AREA, .000100-.000200 BRIGHT TIN-LEAD ON TERMINATION AREA, ALL OVER .000050 NICKEL ENTIRE TERMINAL.
- 9 .000030 GOLD IN CONTACT AREA, .000100-.000200 BRIGHT TIN-LEAD ON TERMINATION AREA, ALL OVER .000050 NICKEL ENTIRE TERMINAL.
- 10 OBSOLETE PART NUMBER.

FINISH	REELED FOR APPLICATOR	LOOSE PIECE PART NO	PART NUMBER
9	MINIATURE	85423-7	1-85488-3
8	MINIATURE	85423-6	1-85488-2
7	MINIATURE	85423-5	85488-8
6	MINIATURE	85423-4	85488-7
5	MINIATURE		85488-6
4	MINIATURE		85488-5
6	STANDARD		85488-4
5	STANDARD	85423-3	85488-3
4	STANDARD	85423-2	85488-2
3		85423-1	85488-1

DO NOT SCALE PRINT. UNLESS SPECIFIED DIMENSIONS IN INCHES TOLERANCES ON:		DR 10-17-89 D KEITZER		PART NO	
2 PLC DEC ± -		CHK 10-23-89 SCOTT A SHUEY		AMP INCORPORATED Harrisburg, Pa. 17105	
3 PLC DEC ± .005		APPD 10-23-89 MARIAN P CLARK			
ANGLES ± -		APPD 10-23-89 B FLINCHBAUGH			
MATERIAL	PHOS. BRONZE	PRODUCT SPEC	-	NAME RECEPTACLE, MOD I, STANDARD PRESSURE, TYPE A	
FINISH	SEE TABLE	APPLICATION SPEC	-	SIZE D	CAGE CODE 00779
		WEIGHT	-	DRAWING NO 85488	SHEET 1 OF 1
			SCALE 10:1		

单击下面可查看定价，库存，交付和生命周期等信息

[>>TE Connectivity\(泰科\)](#)