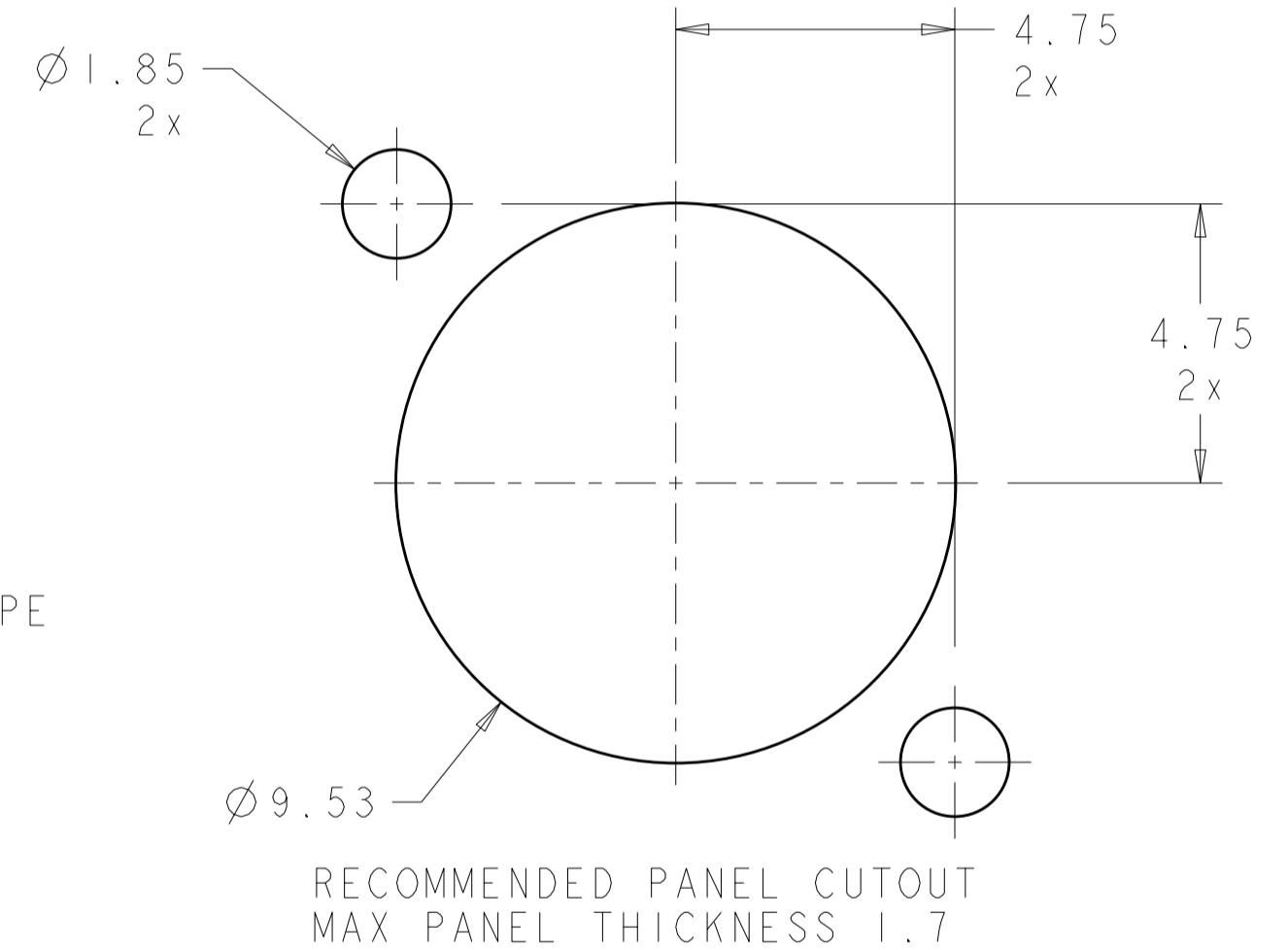
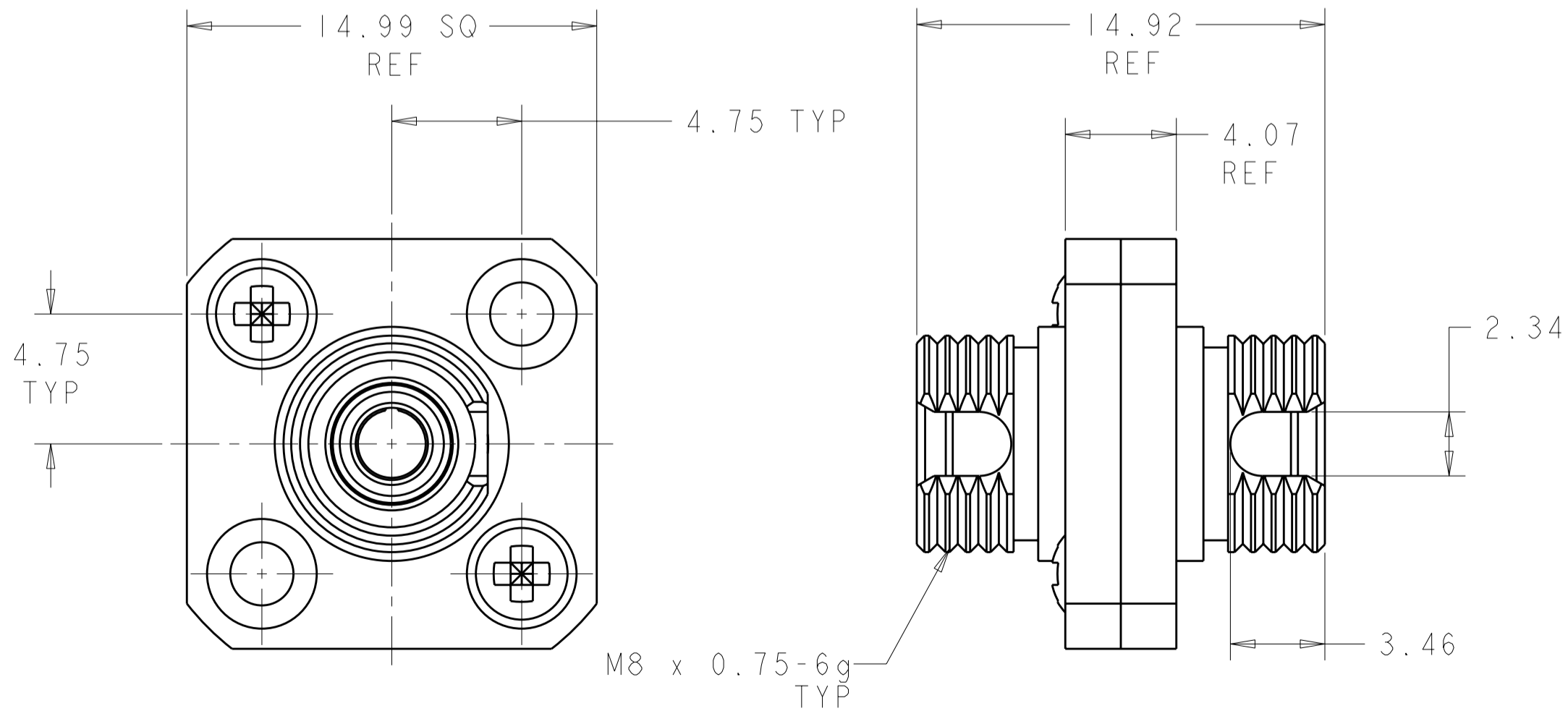
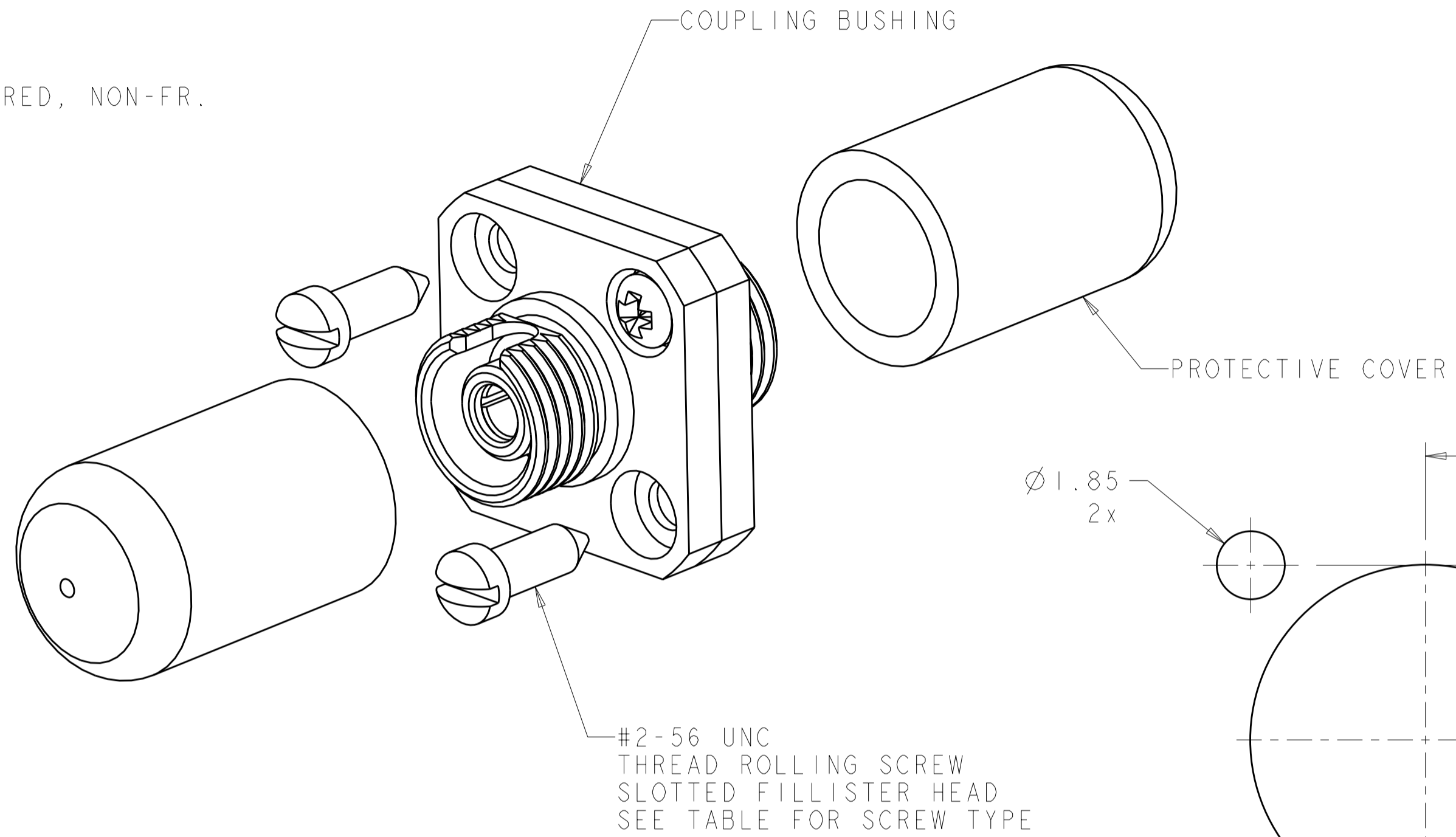


LOC	DIST	REVISIONS			
P	LTR	DESCRIPTION	DATE	DWN	APVD
CE	00	A	RELEASE TO ACTIVE	06JUN2006	BB SM

1 BULK PACKAGE.

2 MATERIAL:
 HOUSING: NICKEL PLATED BRASS
 SLEEVE: PHOSPHOR BRONZE
 SLEEVE: ZIRCONIA
 SCREW: STAINLESS STEEL
 PROTECTIVE COVER: PVC, COLOR: RED, NON-FR.



1	NO SCREWS SUPPLIED	METAL	5501506-7
1	NO SCREWS SUPPLIED	CERAMIC	5501506-5
	SLOTTED FILLISTER HEAD	METAL	5501506-2
	SLOTTED FILLISTER HEAD	CERAMIC	5501506-1
	SCREW TYPE	ALIGNMENT SLEEVE	PART NUMBER

<small>THIS DRAWING IS A CONTROLLED DOCUMENT FOR TYCO ELECTRONICS CORPORATION IT IS SUBJECT TO CHANGE AND THE CONTROLLING ENGINEERING ORGANIZATION SHOULD BE CONTACTED FOR THE LATEST REVISION.</small>		DWN	B. BRIGGS	08AUG2005	 Tyco Electronics Harrisburg, PA 17105-3608
		CHK	S. MILLER	08AUG2005	
		APVD	S. BUCHTER	08AUG2005	
		PRODUCT SPEC			
DIMENSIONS: mm 		TOLERANCES UNLESS OTHERWISE SPECIFIED: 0 PLC ± 1 PLC ± 2 PLC ± 3 PLC ± 4 PLC ± ANGLES ± FINISH		NAME ADAPTER KIT, FC	
MATERIAL 2		APPLICATION SPEC - WEIGHT -		SIZE A200779	
CUSTOMER DRAWING		SCALE 5:1		SHEET 1 OF 1 REV A	

单击下面可查看定价，库存，交付和生命周期等信息

[>>TE Connectivity\(泰科\)](#)