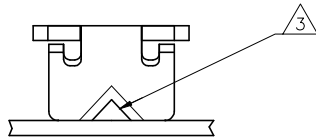
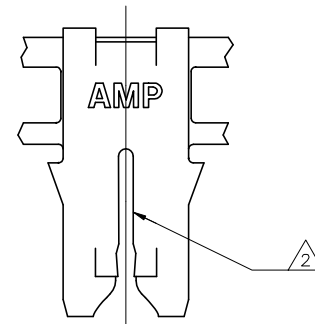
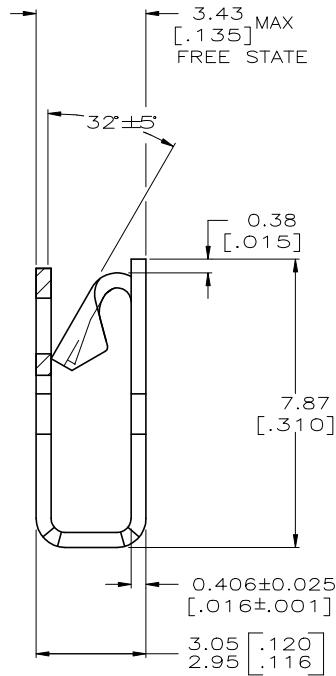
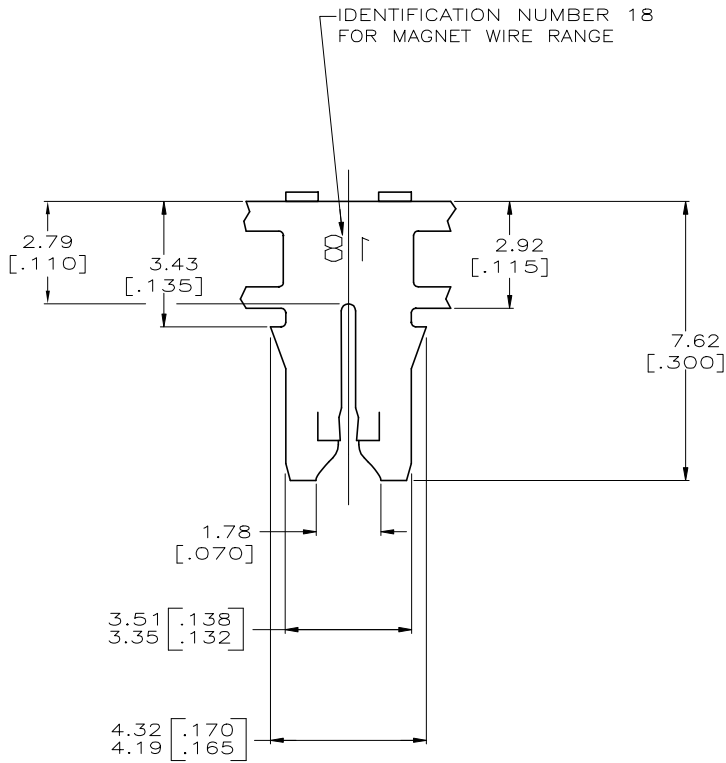


THIS DRAWING IS UNPUBLISHED. RELEASED FOR PUBLICATION
 © COPYRIGHT - By - ALL RIGHTS RESERVED.

LOC		DIST		REVISIONS				
P	LTR	DESCRIPTION			DATE	DWN	APVD	
AF	50	C6	REVISED PER ECR-18-009392			01APR2019	BDA	SV



- 1 CONTINUOUS STRIP ON REELS WITH TERMINALS LOCATED ON 5.59±0.08 [.220±.003] CENTERS.
- 2 SLOT TERMINATES EITHER A SINGLE OR DOUBLE MAGNET WIRE OF THE SAME SIZE AND TYPE. COPPER RANGE: 0.64-0.81mm [#22-#20] AWG. ALUMINUM RANGE: 0.67-0.91mm [#22-#19] AWG. ALUMINUM WIRE RANGE IS APPLICABLE FOR POST TIN PLATED PART NOS ONLY
- 3 POKE-IN ACCEPTS A 0.81-1.02mm [#20-#18] AWG SOLID OR FUSED STRANDED LEAD WIRE.
- 4 SPECIAL CAVITY ANVIL HEIGHT REQUIRED 3.30±0.07 [.130±.003]. REFERENCE APPLICATION SPEC 114-2046, SEC 3.2, NOTE 7.



STANDARD		PAPER		CARDBOARD REEL		1217824-1	
REELING DIRECTION		SPLICE		REELING MATERIAL		PART NUMBER	
THIS DRAWING IS A CONTROLLED DOCUMENT.				DWN: MICHAEL S. FEHNER 18JUL2002		TE Connectivity	
DIMENSIONS: mm [INCHES]				CHK: KURT A. RANDOLPH 18JUL2002			
TOLERANCES UNLESS OTHERWISE SPECIFIED:				APVD: KURT A. RANDOLPH 18JUL2002		NAME: TERMINAL, POKE-IN, 300 SERIES MAG-MATE™	
0 PLC ± - 1 PLC ± - 2 PLC ± 0.25(.010) 3 PLC ± - 4 PLC ± -				PRODUCT SPEC: 108-2012		APPLICATION SPEC: 114-2046	
MATERIAL: BRASS				FINISH: TIN PLATE		RESTRICTED TO: -	
CUSTOMER DRAWING				WEIGHT: -		SIZE: A2	
				CAGE CODE: 00779		DRAWING NO: 1217824	
				SCALE: 10:1		SHEET: 1 of 1	
						REV: C6	

单击下面可查看定价，库存，交付和生命周期等信息

[>>TE Connectivity\(泰科\)](#)