

THIS DRAWING IS UNPUBLISHED.

RELEASED FOR PUBLICATION

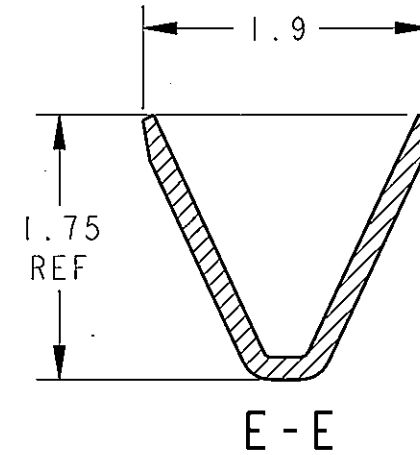
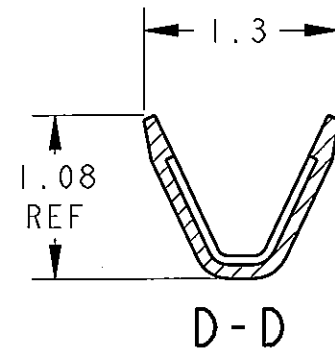
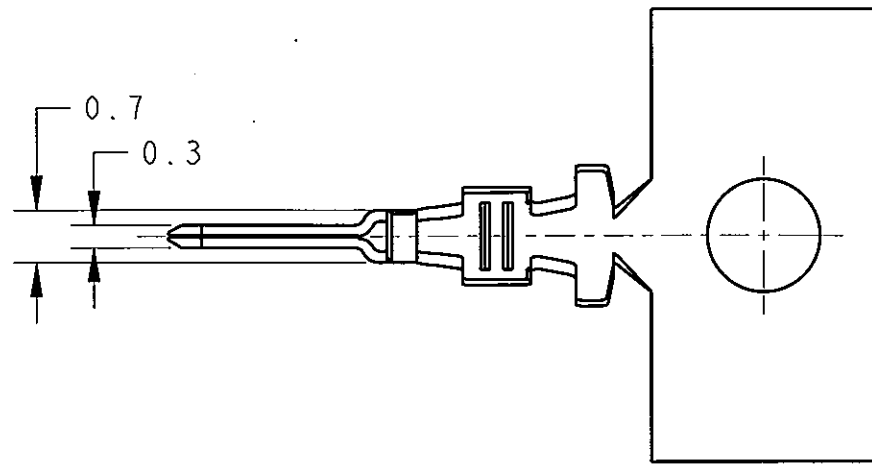
20

© COPYRIGHT 20 BY TYCO ELECTRONICS CORPORATION. ALL RIGHTS RESERVED.

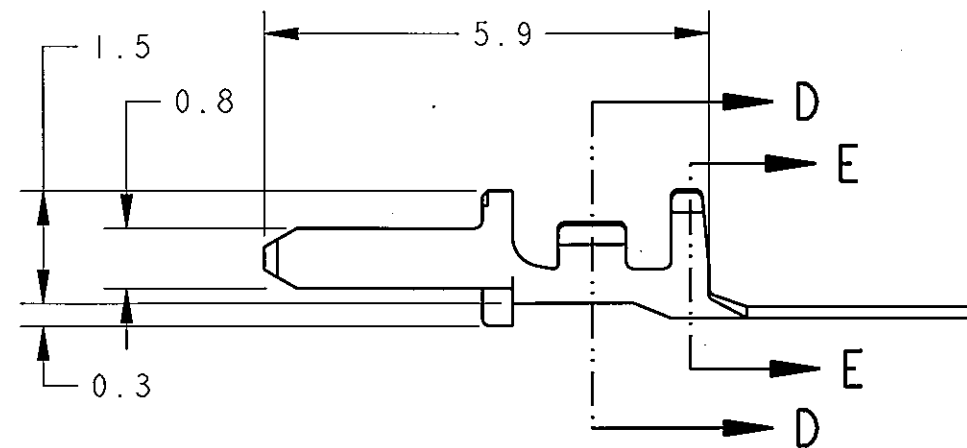
LOC J DIST -

REVISIONS

P	LTR	DESCRIPTION	DATE	DWN	APVD
A		RELEASED	24SEP2008	H. U	T. K
B		REVISED	18DEC2008	H. U	T. K
C		REVISED	11MAY2010	H. U	T. M



-2;本図
-2;AS SHOWN



1 材料;黄銅。

2 仕上げ;全面ニッケル下地めっき。
接触部及び圧着部に0.2μm以上の金めっき。

3 AWG#26, AWG#28対応;
対応電線: UL1508 AWG#26
素線数/素線径: 7/0.16mm²
絶縁被覆径: φ0.73-φ0.82

対応電線: UL1508 AWG#28
素線数/素線径: 7/0.127mm²
絶縁被覆径: φ0.64-φ0.68

4. 使用ハウジング: 2040974-*

1 MATERIAL; Brass.

2 FINISH; Ni UNDER PLATING ALL SURFACE.
CONTACT AND CRIMP AREA; Au PLATING 0.2μm MIN.

3 WIRE SIZE AWG#26, AWG#28;
APPLICABLE WIRES: UL1508 AWG#26
NUMBER OF CONDUCTORS/
DIAMETER OF A CONDUCTOR: 7/0.16mm²
INSULATION DIAMETER: φ0.73-φ0.82

APPLICABLE WIRES: UL1508 AWG#28
NUMBER OF CONDUCTORS/
DIAMETER OF A CONDUCTOR: 7/0.127mm²
INSULATION DIAMETER: φ0.64-φ0.68

4. USE HOUSING P/N: 2040974-*

THIS DRAWING IS A CONTROLLED DOCUMENT FOR TYCO ELECTRONICS CORPORATION. IT IS SUBJECT TO CHANGE AND THE CONTROLLING ENGINEERING ORGANIZATION SHOULD BE CONTACTED FOR THE LATEST REVISION.

DIMENSIONS: 単位: 毫 mm	TOLERANCES UNLESS OTHERWISE SPECIFIED:
一般公差	±0.2
φ PLC	±
1 PLC	±0.3
2 PLC	±0.1
3 PLC	±0.001
4 PLC	±0.0001
ANGLES	±3°

MATERIAL 材料	1	FINISH 仕上	2
----------------	---	--------------	---

DWN	24SEP2008
CHK	H. URUSHIBATA
APVD	24SEP2008
PRODUCT SPEC	T. KUDO
APPLICATION SPEC	S. MANABE
取付適用規格	108-78573
WEIGHT	114-5441

WIRE RANGE 適合電線断面積	0.089mm ² ~0.141mm ²	INSULATION DIA 被覆外径	3
Tyco Electronics Corporation Kawasaki, Japan			
NAME 名称 POST CONTACT 1.0VP REMODEL			
SIZE	CAGE CODE	DRAWING NO 番号	RESTRICTED TO
A3	00779	C-2040973	-
CUSTOMER DRAWING			SCALE 尺度 20:1
SHEET		OF	REV
1		1	C

单击下面可查看定价，库存，交付和生命周期等信息

[>>TE Connectivity\(泰科\)](#)