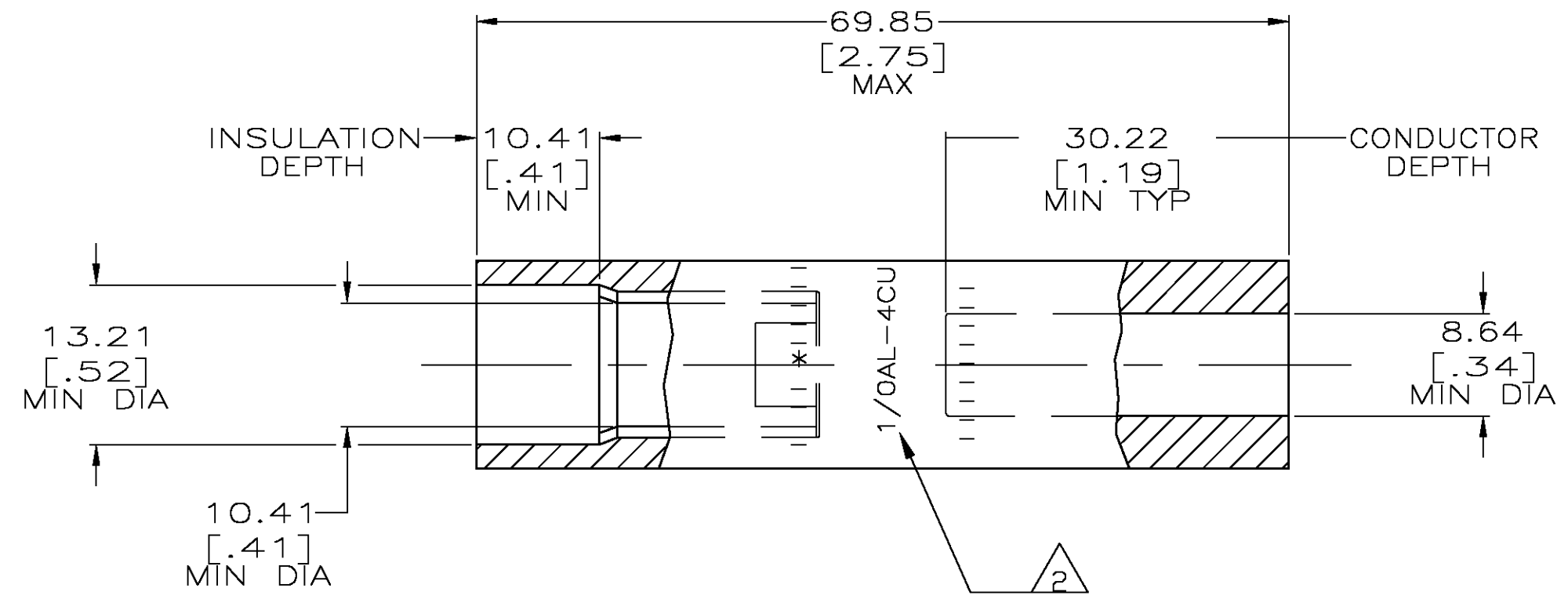


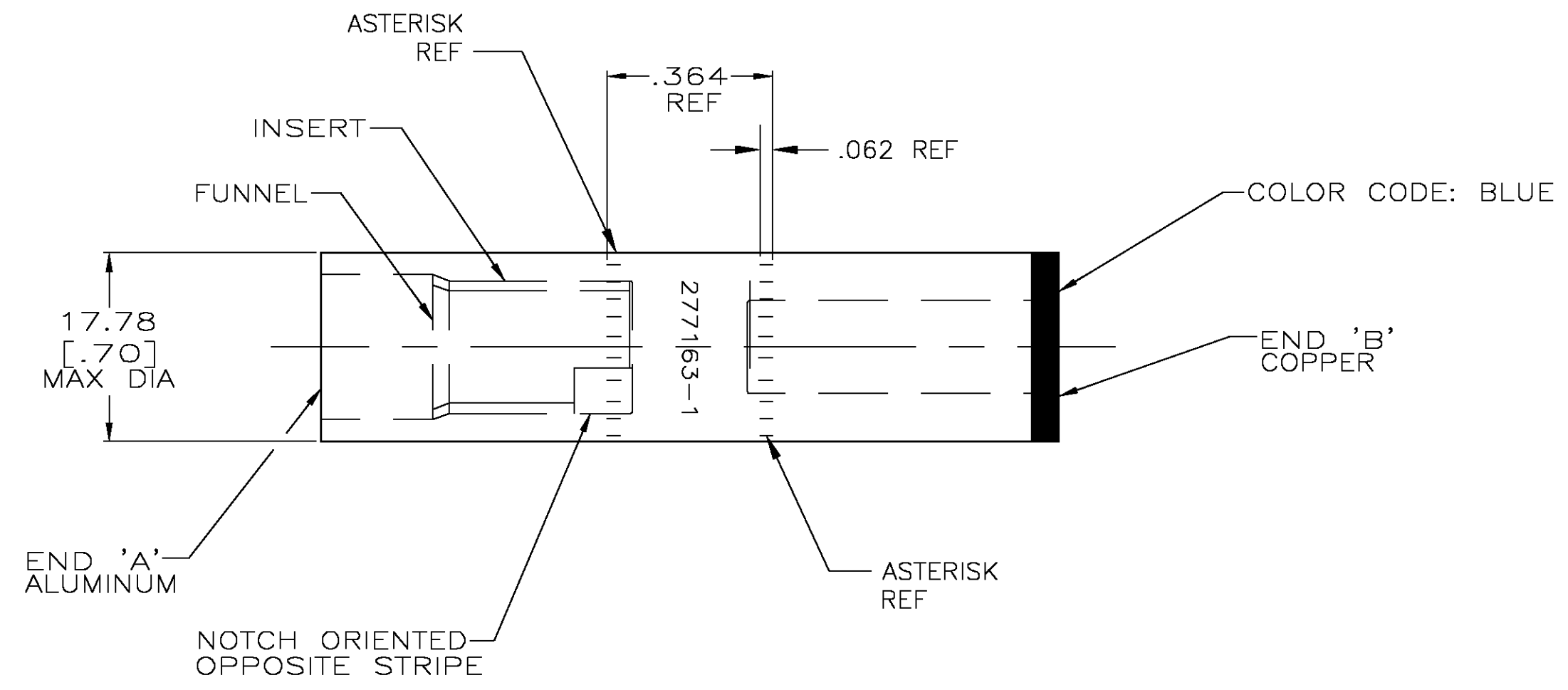
THIS DRAWING IS UNPUBLISHED. RELEASED FOR PUBLICATION
 © COPYRIGHT BY TYCO ELECTRONICS CORPORATION. ALL RIGHTS RESERVED.

LOC	DIST	REVISIONS					
		P	LTR	DESCRIPTION	DATE	DWN	APVD
G	86						
		P		REV PER 0G3A-0499-04	24JUN04	JR	MS



1 WIRE INSULATION:
 END 'A' 10.80[.425] - 11.94[.470] DIA FOR 1/0 AL
 END 'B' 7.01[.276] - 7.75[.305] DIA FOR 4 CU

2 STAMP 277163-1 AMP 1/0AL-4CU APPROX AS SHOWN



INSERT & FUNNEL: BRASS MIL-C-50	277163-1
NICKEL PL QQ-N-290 0.00762[.000300] AVG THK	
SPLICE: COPPER ASTM B-187	
TIN PL ASTM B545 0.00381[.000150] MIN THK	
MATERIAL & FINISH	

THIS DRAWING IS A CONTROLLED DOCUMENT.		DWN DK SCHRUM 7/6/89	Tyco Electronics Corporation Harrisburg, Pa 17105-3608	
DIMENSIONS: mm [INCHES]		CHK MS FEHER 5/1/91		
TOLERANCES UNLESS OTHERWISE SPECIFIED:		APVD MJ SPICER 5/1/91	NAME	
0 PLC ± -		PRODUCT SPEC 108-11011	WIRE SPLICE, TRANSITIONAL, COPALUM, SEALED,	
1 PLC ± -		APPLICATION SPEC 114-2134	WIRE SIZE: 22.0mm [4] COPPER	
2 PLC ± -		WEIGHT 92.5 GRAMS	SIZE A2	CAGE CODE 00779
3 PLC ± -		FINISH SEE TABLE	DRAWING NO C=277163	
4 PLC ± -			SCALE 2:1	SHEET 1 OF 1
ANGLES ± -			REV P	
MATERIAL SEE TABLE		CUSTOMER DRAWING		

单击下面可查看定价，库存，交付和生命周期等信息

[>>TE Connectivity\(泰科\)](#)